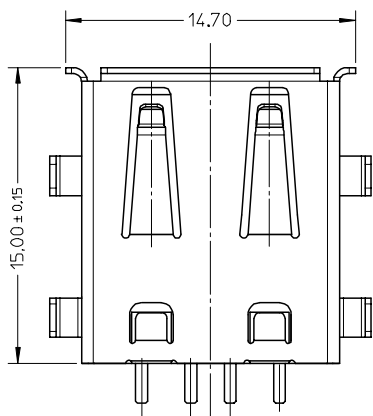
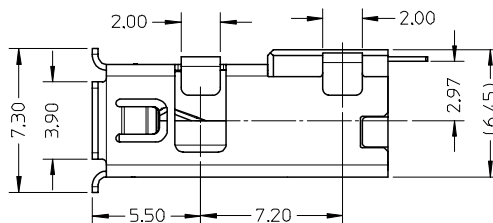
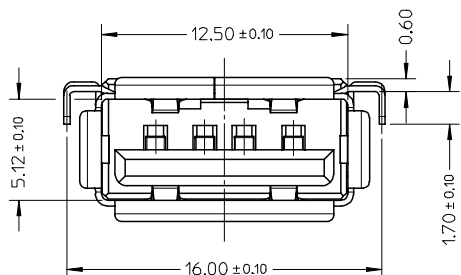


RECOMMENDED PCB LAYOUT (COMPONENT SIDE)
PCB THICKNESS=1.2mm (DEFAULT TOLERANCE=±0.05)

NOTES:

- MATERIAL:
HOUSING: PA6T, GLASS FIBRE FILLED, UL94-V0,
COLOR: BLACK.
TERMINAL: PHOSPHOR BRONZE.
METAL SHELL: COPPER ALLOY.
- PLATING:
TERMINAL:
CONTACT AREA: GOLD FLASH PLATING.
SOLDER AREA: MATTE TIN 2 MICROMETRE MIN.
UNDERPLATING: NICKLE 1.27 MICROMETRE MIN.
METAL SHELL:
SOLDERABLE NICKEL 1.27 MICROMETRE MIN.
- PRODUCT SPECIFICATION REFERENCE TO PS-47504-001.
- COMPLIANT TO RoHS DIRECTIVE 2002/95/EC
AND ELV DIRECTIVE 2000/53/EC.



NEW PRODUCT	DESCRIPTION
EC NO: SH2008-0222	DRWN: KWEI 2007/11/15
	CHKD: RZHANG 2007/11/16
	APPR: JNCHEN 2007/11/23
A	REV

QUALITY SYMBOLS	▽=0
	∇=0

GENERAL TOLERANCES (UNLESS SPECIFIED)	mm	INCH
	4 PLACES ± ---	± ---
	3 PLACES ± ---	± ---
	2 PLACES ± 0.25	± ---
	1 PLACE ± 0.30	± ---
	ANGULAR ± ---°	
DRAFT WHERE APPLICABLE MUST REMAIN WITHIN DIMENSIONS		

DIMENSION STYLE		SCALE	DESIGN UNITS	THIRD ANGLE PROJECTION
MM ONLY		4:1	METRIC	
DRAWN BY	DATE	TITLE		
KLAUS WEI	2006/08/28	SINGLE USB SMT TYPE REVERSE TYPE		
CHECKED BY	DATE			
ROST ZHANG	2006/08/28	MOLEX INCORPORATED		
APPROVED BY	DATE			
HARVEY WANG	2006/08/28	MATERIAL NO. 475040001		
MATERIAL NO.				
DOCUMENT NO. SD-47504-001		SHEET NO. 1 OF 1		

MOLEX		SHEET NO. 1 OF 1		
THIS DRAWING CONTAINS INFORMATION THAT IS PROPRIETARY TO MOLEX INCORPORATED AND SHOULD NOT BE USED WITHOUT WRITTEN PERMISSION				