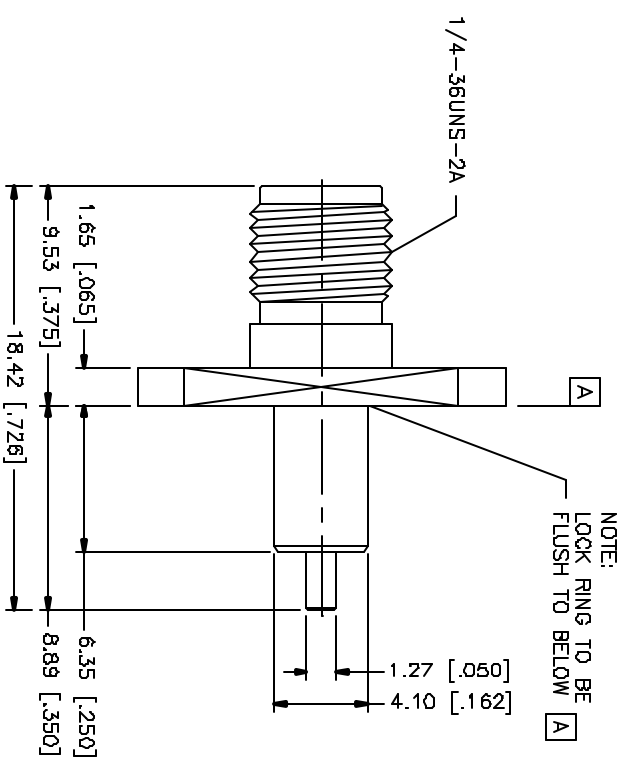
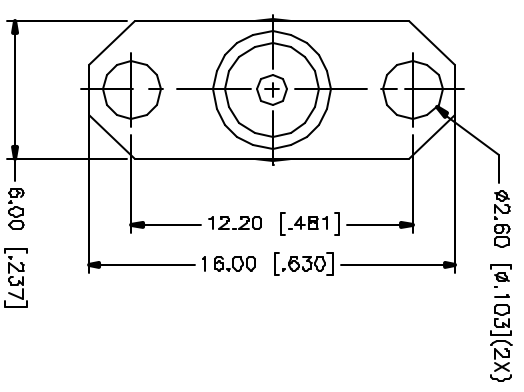


REV.	DATE	DESCRIPTION
A	02/18/03	UPDATE DRAWING FORMAT
B	02/20/05	UPDATE PART DESCRIPTION



NOTE:
LOCK RING TO BE
FLUSH TO BELOW [A]



REV.	DESCRIPTION	MATERIAL	FINISH	QTY
8				
7				
6				
5				
4	RING	BRASS	GOLD	1
3	CONTACT PIN	BER. COPPER	GOLD	1
2	INSULATOR	TEFLON	NATURAL	1
1	BODY	BRASS	GOLD	1
	DESCRIPTION			

<p>UNLESS OTHERWISE SPECIFIED DIMENSIONS ARE IN MILLIMETERS DIMENSIONS IN [] ARE IN INCHES AND FOR DECIMAL REFERENCE ONLY.</p> <p>UNLESS OTHERWISE SPECIFIED TOLERANCES FOR MILLIMETERS ARE:</p> <p>0.5 - 30mm ± 0.20mm 30 - 120mm ± 0.40mm 120 - 150mm ± 0.40mm</p> <p>UNLESS OTHERWISE SPECIFIED TOLERANCES FOR INCHES ARE:</p> <p>0.25 - .315 = ± 0.007" .315 - 1.180 = ± 0.015" 1.180 - 4.724 = ± 0.020"</p>	
APPROVALS	DATE
DRAWN G. R. S.	02/20/05
CHECKED	
ISSUED	
SHEET 1 OF 1	

CAD FILE	DWG. NO.	REV.	SIZE	SCALE
C:/132/132147-29.DWG	132147-29.DWG	B	A	NA

<p>Amphenol Connex</p> <p>PART DESCRIPTION SMA PANEL RECEPTACLE - 2 HOLE EXT. TEFLON .250 [.635] - .350 [.889]</p>		<p>PART NIB: 132147-29</p>
---	--	---