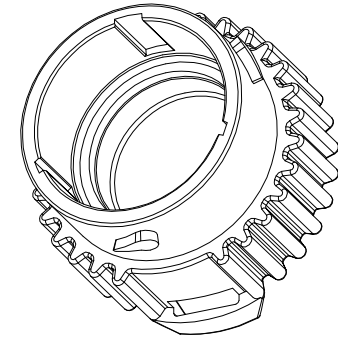
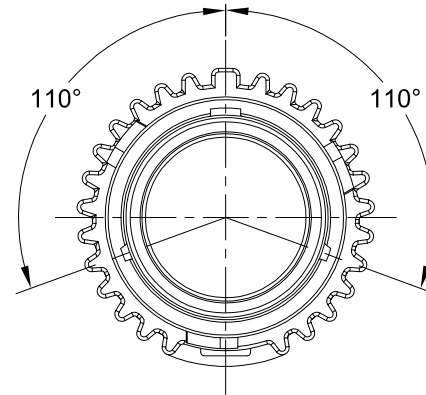
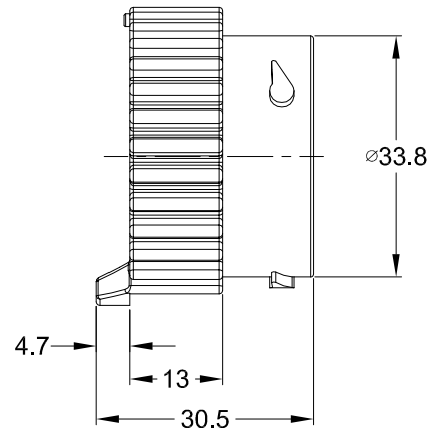
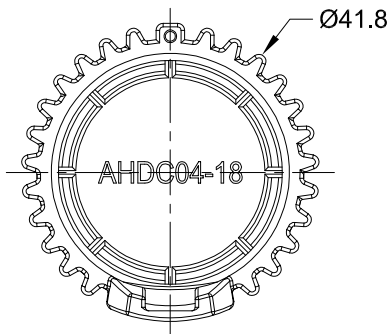



REVISIONS					
REV	ECO	DESCRIPTION	DATE	BY	APPR
A1		RELEASE DRAWING	13MAR18	SULLENTOMMY	



NOTES: UNLESS OTHERWISE SPECIFIED

- MATERIAL:  
SHELL: THERMOPLASTIC  
SEAL: SILICONE RUBBER
- COLORS: BLACK
- RoHS COMPLIANT
- COMPATIBLE WITH ALL SIZE 18 AHDP SERIES PLUG.
- ALL DIMENSIONS ARE FOR REFERENCE USE ONLY.

AHDC04-18					
PART NUMBER		DESCRIPTION		ITEM	
QUANTITY	MATERIALS LIST				
<small>UNLESS OTHERWISE SPECIFIED</small> 1) All dimensions are in metric (mm). 2) Tolerances are as follows: 1 PL DEC ±0.30    Fractions ±1/64 2 PL DEC ±0.15    Angles ±1° 3 PL DEC ±0.08 3) Note reference = 		<small>SIGNATURES</small> DRAWN: SULLENZHANG CHECKED: ORIONLI ENGINEER: APPROVAL: TOMMY.XIE CUSTOMER:		<small>DATE</small> 13MAR18 13MAR18 13MAR18	
<small>MATERIAL SPECIFICATIONS:</small>		<small>THIS DRAWING IS SUPPLIED FOR INFORMATION ONLY. DESIGN FEATURES, SPECIFICATIONS AND PERFORMANCE DATA SHOWN HEREON ARE THE PROPERTY OF THE AMPHENOL CORPORATION. NO RIGHTS OF REPRODUCTION ARE IMPLIED. ALL DIMENSIONS ARE SUBJECT TO NORMAL MANUFACTURING VARIATIONS.</small>		<div style="text-align: center;"> <h1>Amphenol</h1> <p>Sine Systems - <a href="http://www.amphenol-sine.com">www.amphenol-sine.com</a>                      44724 Morley Drive                      Clinton Township, MI 48036</p> <p><b>PROTECTIVE CAP FOR PLUGS, AHDP SERIES, SIZE 18</b></p> </div>	
<small>PROCESS SPECIFICATIONS:</small>		<small>SIZE</small> <small>TYPE</small> <small>DWG NO:</small> <small>REVISION</small> <b>A</b> <b>C-</b> <b>AHDC04-18</b> <b>A1</b>			
<small>NEXT ASSY:</small>		<small>SCALE:</small> <b>NONE</b>		<small>SHEET</small> <b>1</b> <small>OF</small> <b>1</b>	