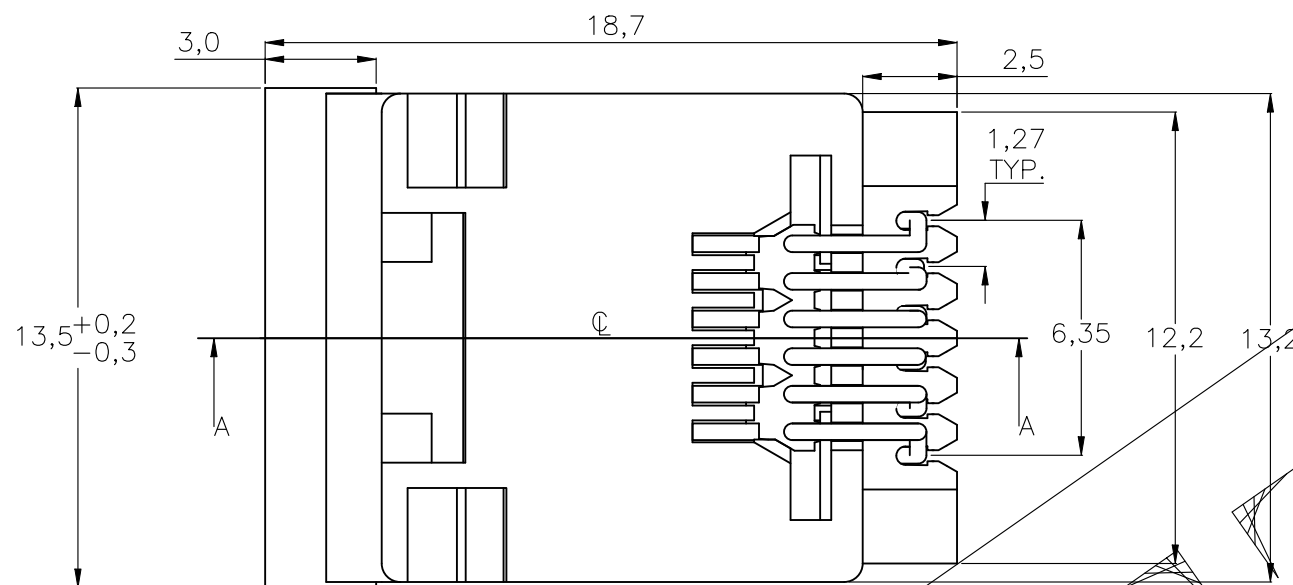
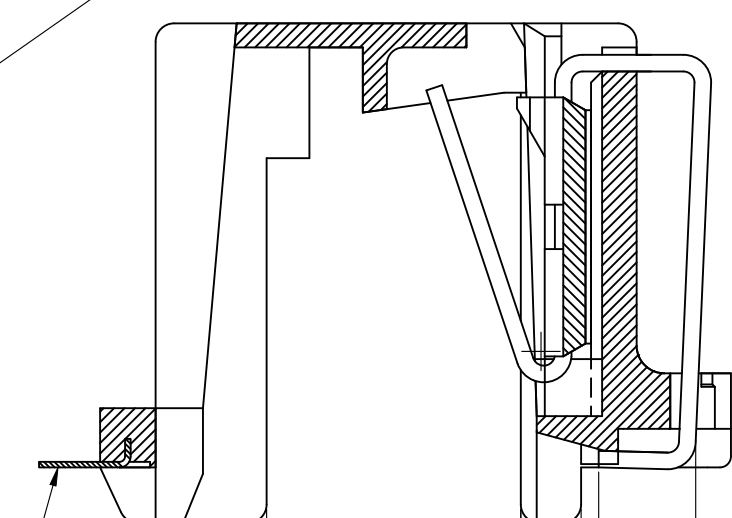
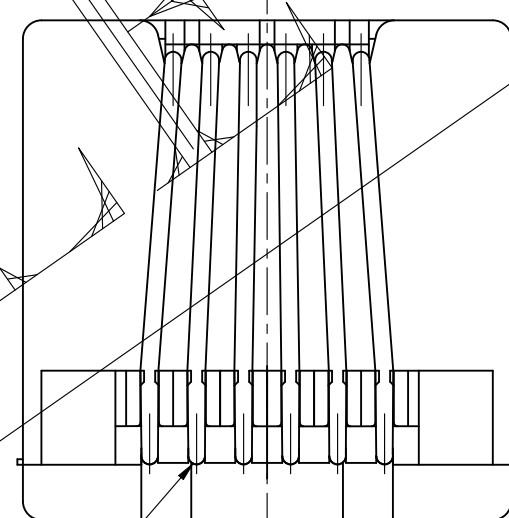
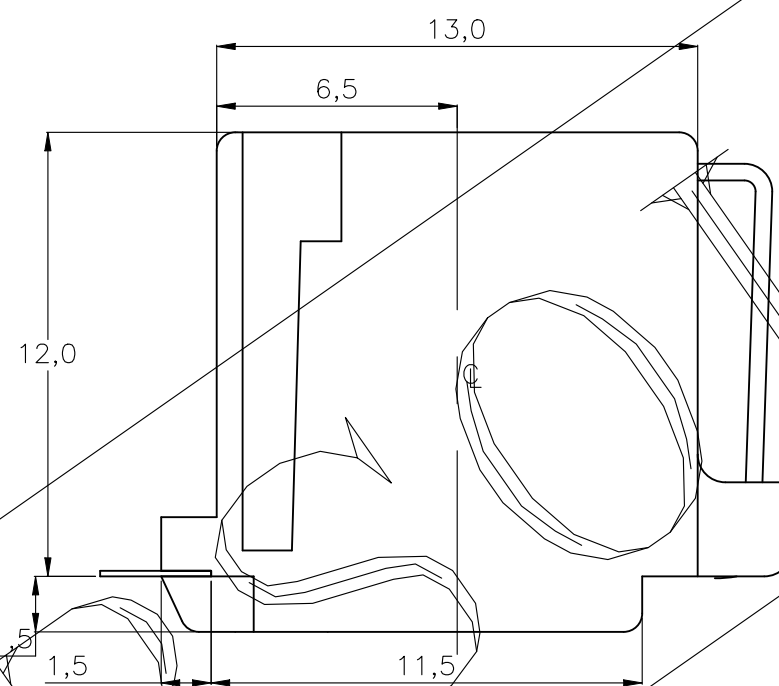
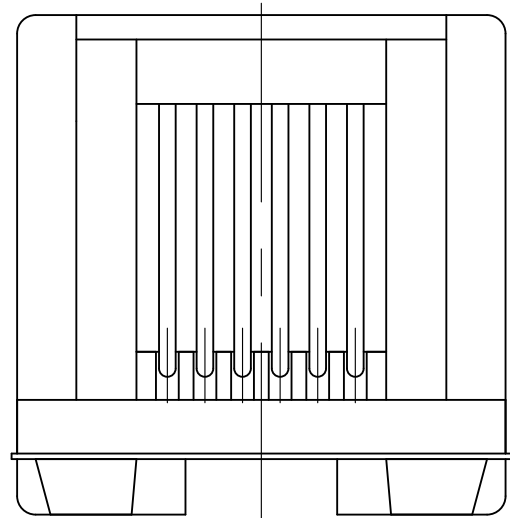


REVISIONS

P	LTR	DESCRIPTION	DATE	DWN	APVD
N		REVISED AS PER ECR-23-183307	04AUG2023	JK	WH
M		ECR-06-013127	31-05-06	MO	-
M1		ECR-08-012368	06-07-08	AEG	WRV



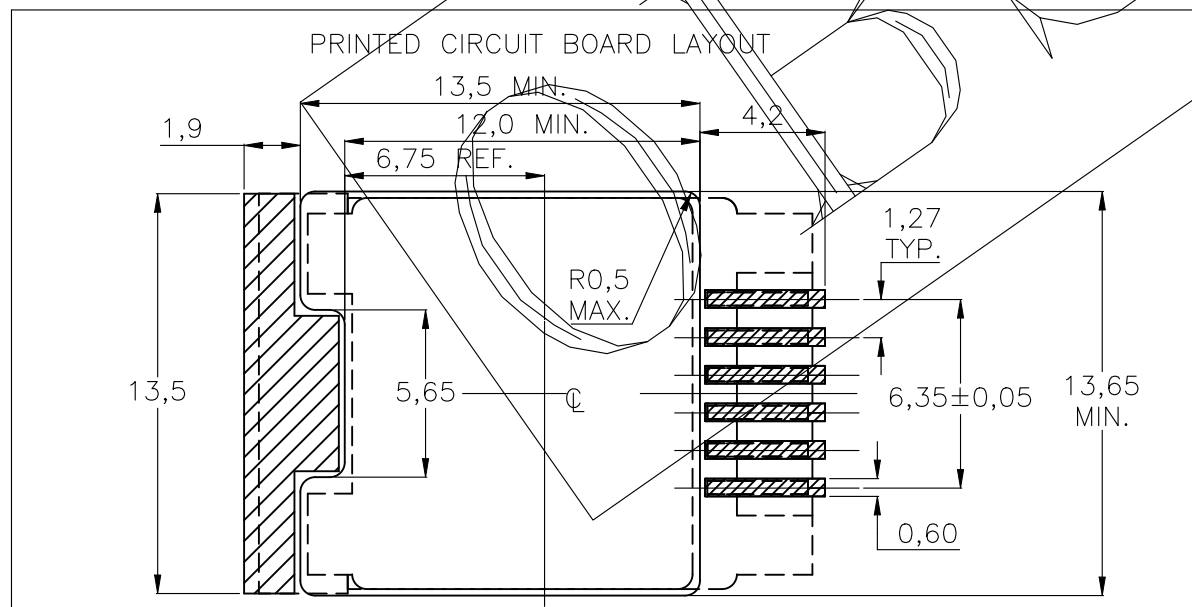
- NOTES:
- TOLERANCES UNLESS OTHERWISE SPECIFIED:  $\pm 0.15$
  - CONTACTS:  
1.25 $\mu$ m MIN. GOLD OVER 1.25 $\mu$ m MIN. NICKEL IN CONTACT AREA.  
2.0 $\mu$ m MIN. TIN OVER 1.25 $\mu$ m MIN. NICKEL ON SOLDER TINES.
  - HOUSING:  
30% G.F. PA 4.6, COLOR BLACK, UL 94V-0  
CONTACTS:  
PHOSPHOR BRONZE  
ADDITIONAL SOLDERJOINT:  
TIN PLATED BRASS
  - MODULAR JACKS ARE DELIVERED TAPE MOUNTED ON REEL. SEE SHEET 2.
  - PRODUCT SPECIFICATION: 108-19117.  
APPLICATION SPECIFICATION: 114-19041.
  - SOLDER PASTE THICKNESS 0,15mm (=0.006") MIN.



0,13  
-B- (6 CONTACTS)

0,2 B

SECTION A-A

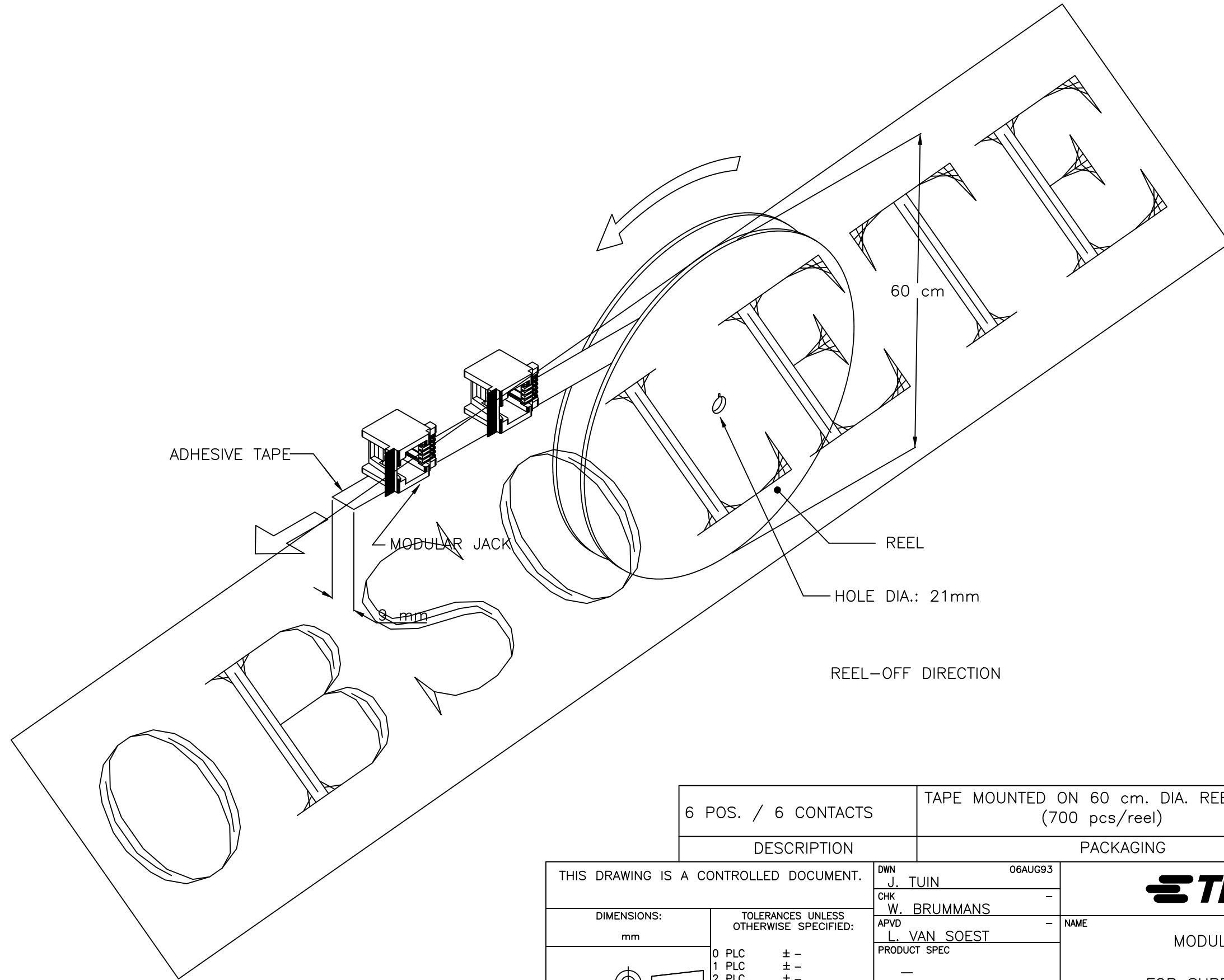


DESCRIPTION	FINISH	MATERIAL	PARTNUMBER
	2	3	SEE SHEET 2

THIS DRAWING IS A CONTROLLED DOCUMENT.

DWN D.CAMPSCHROER	27JAN92	<b>STE</b> TE Connectivity	MODULAR JACK, 6 POSITION BOTTOM ENTRY FOR SURFACE MOUNT APPLICATION
CHK W. BRUMMANS	-		
APVD L. VAN SOEST	-		
NAME	-		
DIMENSIONS: mm	TOLERANCES UNLESS OTHERWISE SPECIFIED:	PRODUCT SPEC	SIZE
0 PLC ± -	1 PLC ± -	APPLICATION SPEC	CAGE CODE
1 PLC ± -	2 PLC ± -	WEIGHT	DRAWING NO
2 PLC ± -	3 PLC ± -	CUSTOMER DRAWING	RESTRICTED TO
3 PLC ± -	4 PLC ± -		SCALE
4 PLC ± -	ANGLES ± -		SHEET
MATERIAL SEE TABLE	FINISH SEE TABLE		1 of 4
			REV
			N

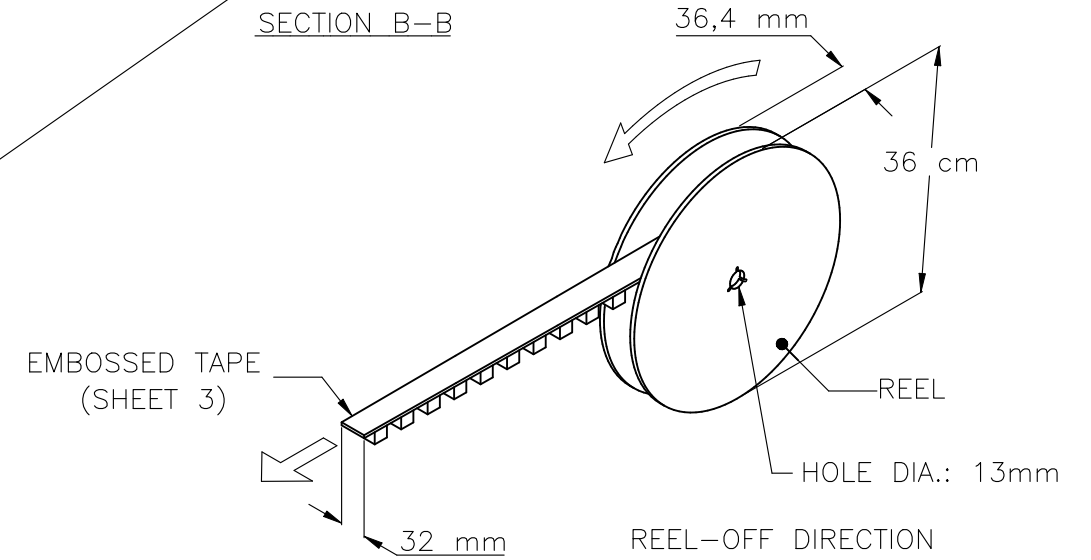
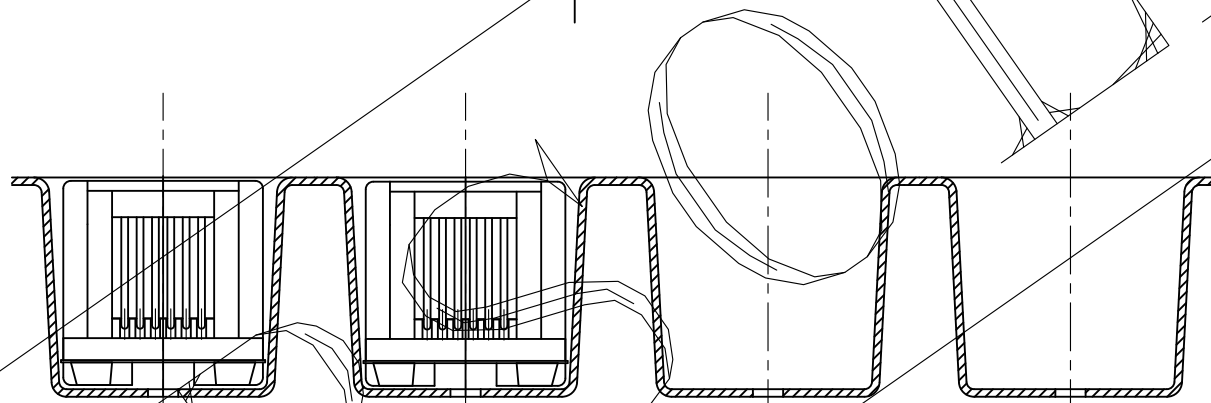
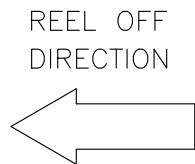
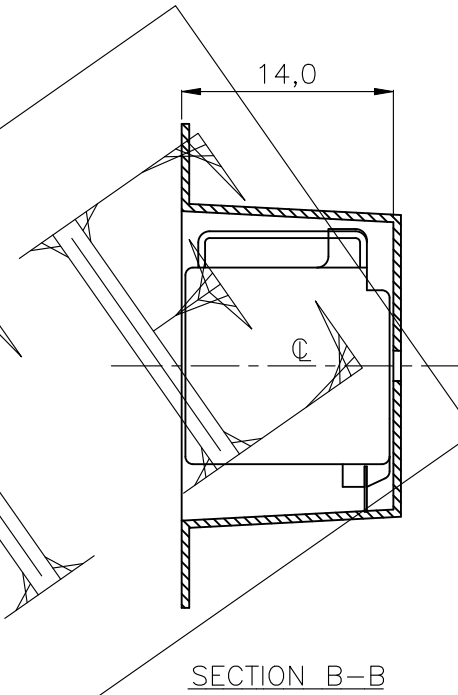
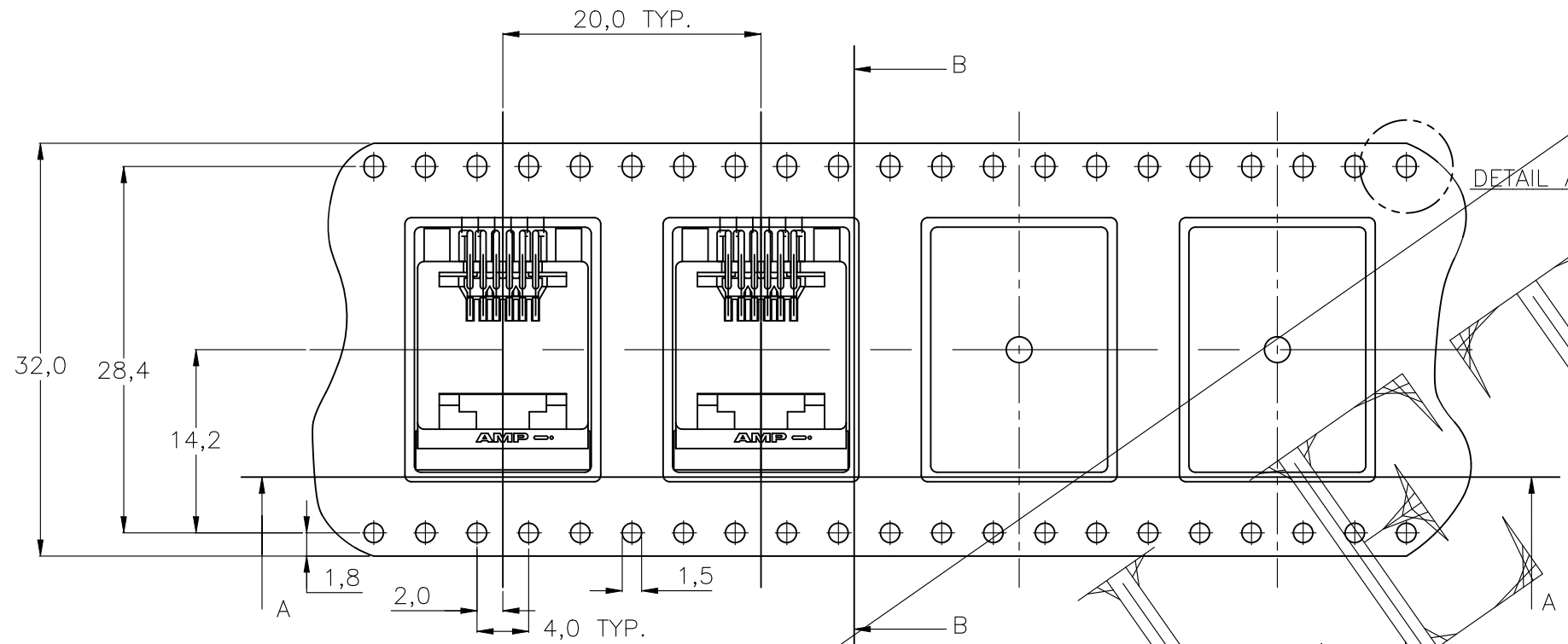
P	LTR	DESCRIPTION	DATE	DWN	APVD
-	-	SEE SHEET 1	-	-	-



6 POS. / 6 CONTACTS	TAPE MOUNTED ON 60 cm. DIA. REEL (700 pcs/reel)	100860-1
DESCRIPTION	PACKAGING	PARTNUMBER

THIS DRAWING IS A CONTROLLED DOCUMENT.		DWN J. TUIN	06AUG93		
DIMENSIONS: mm		CHK W. BRUMMANS	-		
TOLERANCES UNLESS OTHERWISE SPECIFIED:		APVD L. VAN SOEST	-	NAME	
		PRODUCT SPEC	-	MODULAR JACK, 6 POSITION BOTTOM ENTRY FOR SURFACE MOUNT APPLICATION	
0 PLC ± - 1 PLC ± - 2 PLC ± - 3 PLC ± - 4 PLC ± - ANGLES ± -		APPLICATION SPEC	-	SIZE	RESTRICTED TO
MATERIAL	FINISH	WEIGHT	-	A3	-
CUSTOMER DRAWING			SCALE	CAGE CODE	DRAWING NO
			NTS	00779	©=100860
			SHEET	2	REV
			2	of 4	N

P	LTR	DESCRIPTION	DATE	DWN	APVD
-	-	SEE SHEET 1	-	-	-



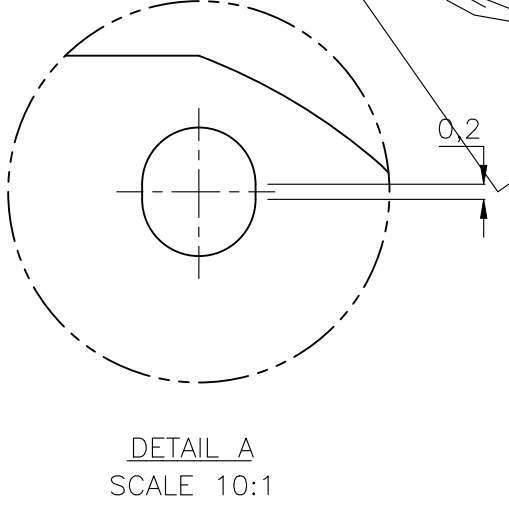
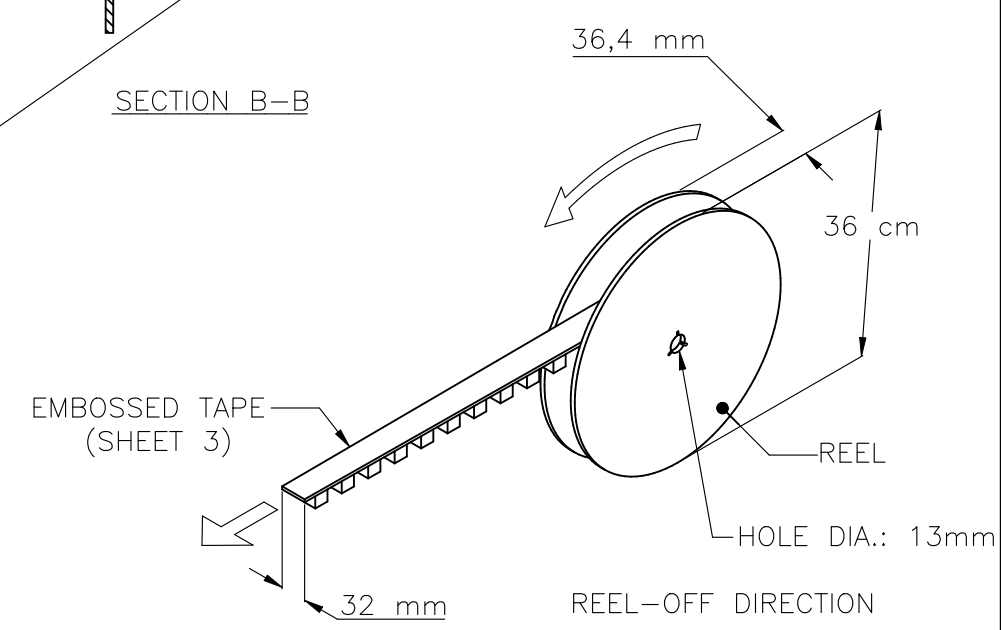
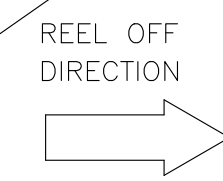
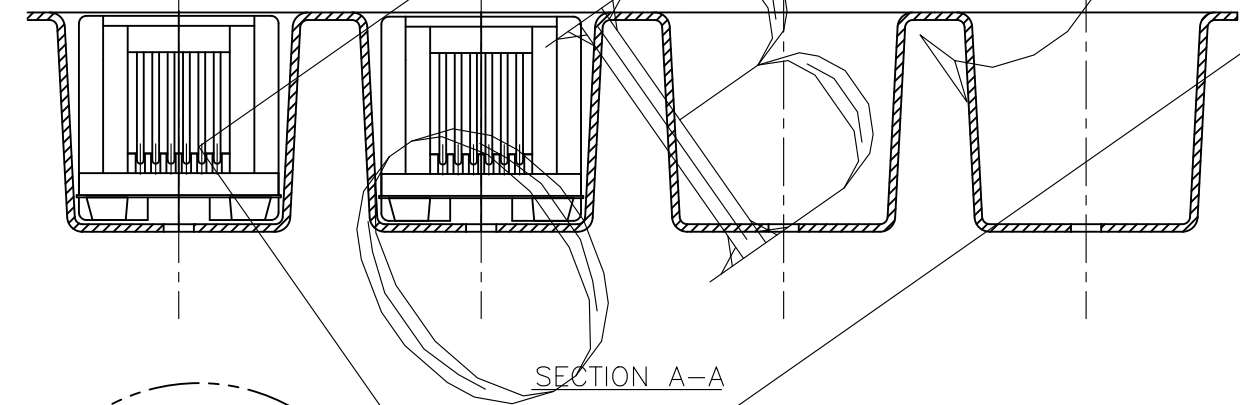
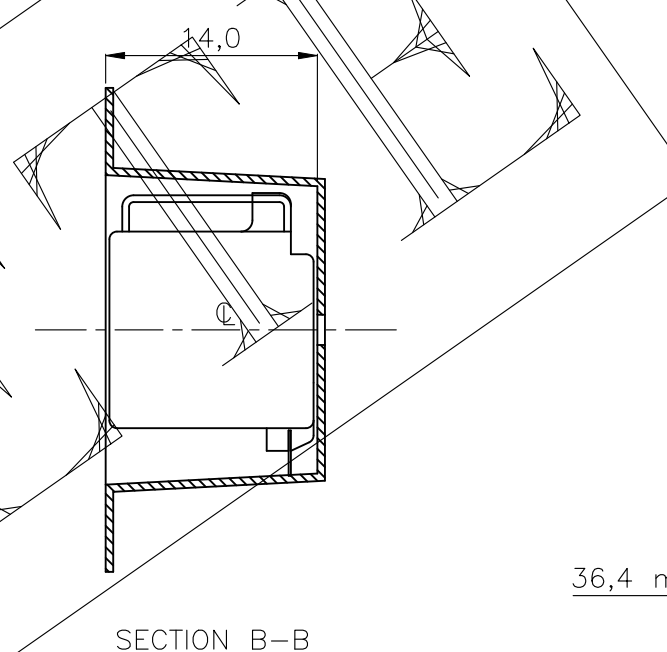
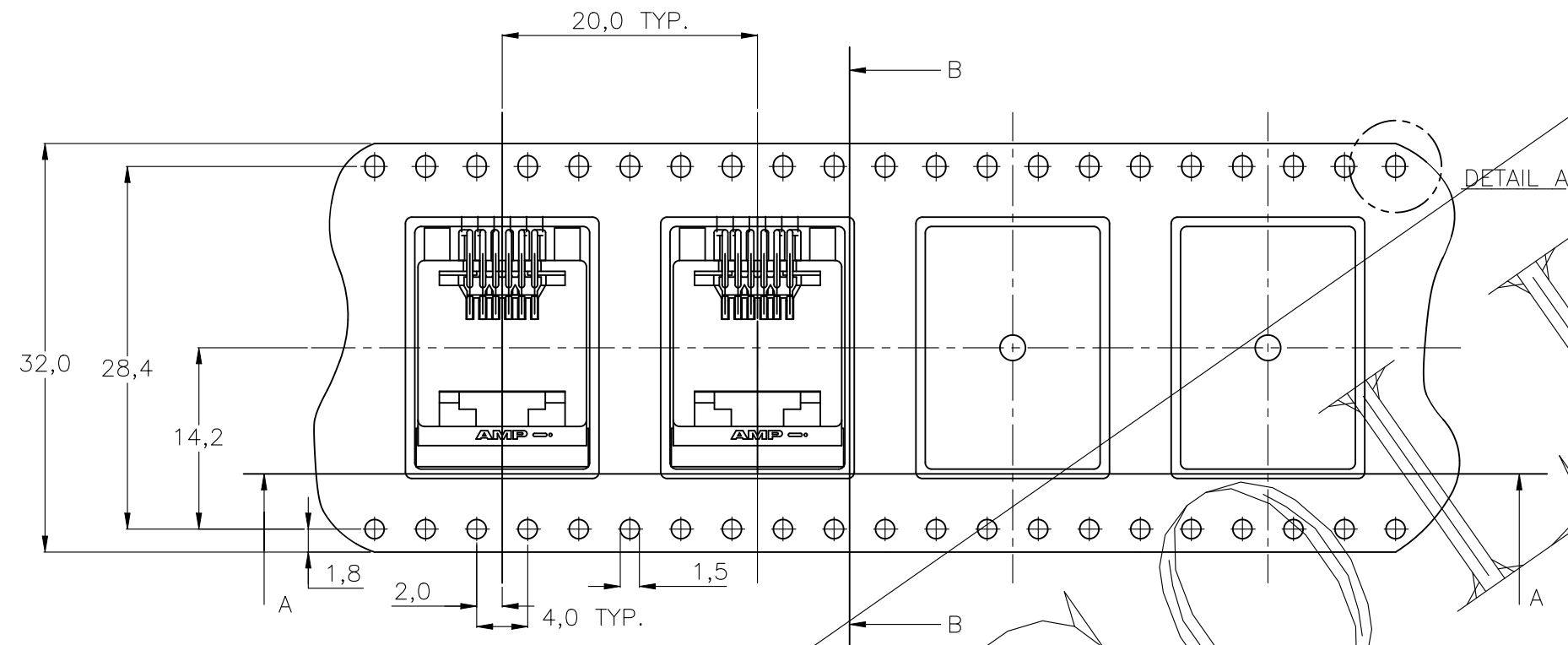
DETAIL A  
SCALE 10:1

6 POS. / 6 CONTACTS	EMBOSSSED TAPE ACC. TD EIA 481-3 (36 cm. DIA. REEL)(300 pcs/reel)	2-100860-1
DESCRIPTION	PACKAGING	PARTNUMBER

THIS DRAWING IS A CONTROLLED DOCUMENT.		DWN E. V. EIJK 03DEC96	TE Connectivity		
DIMENSIONS: mm		CHK E. STELLINGA			
TOLERANCES UNLESS OTHERWISE SPECIFIED:		APVD R. SMEETS	NAME MODULAR JACK 6 POS. PACKAGING		
0 PLC ± - 1 PLC ± - 2 PLC ± - 3 PLC ± - 4 PLC ± - ANGLES ± -		PRODUCT SPEC -	SIZE A3		
MATERIAL -		FINISH -	CAGE CODE 00779	DRAWING NO C-100860	RESTRICTED TO -
CUSTOMER DRAWING			SCALE NTS	SHEET 3 of 4	REV N

REVISIONS					
P	LTR	DESCRIPTION	DATE	DWN	APVD
-	-	SEE SHEET 1	-	-	-

D  
C  
B  
A



OBSOLETE	6 POS. / 6 CONTACTS	EMBOSSSED TAPE ACC. TD EIA 481-3 (36 cm. DIA. REEL)(300 pcs/reel)	3-100860-1
DESCRIPTION		PACKAGING	PARTNUMBER

THIS DRAWING IS A CONTROLLED DOCUMENT.		DWN E. V. EIJK 03DEC96	TE Connectivity	
DIMENSIONS: mm		CHK E. STELLINGA		
TOLERANCES UNLESS OTHERWISE SPECIFIED:		APVD R. SMEETS	NAME MODULAR JACK 6 POS. PACKAGING	
0 PLC ± - 1 PLC ± - 2 PLC ± - 3 PLC ± - 4 PLC ± - ANGLES ± -		PRODUCT SPEC -	SIZE A3	
MATERIAL -		APPLICATION SPEC -	CAGE CODE 00779	DRAWING NO C-100860
FINISH -		WEIGHT -	RESTRICTED TO -	
CUSTOMER DRAWING			SCALE NTS	SHEET 4 of 4
			REV N	