

SAW Filter 1090.0MHz

Model: TA0691A

Part No: MA09528

Rev No: 2

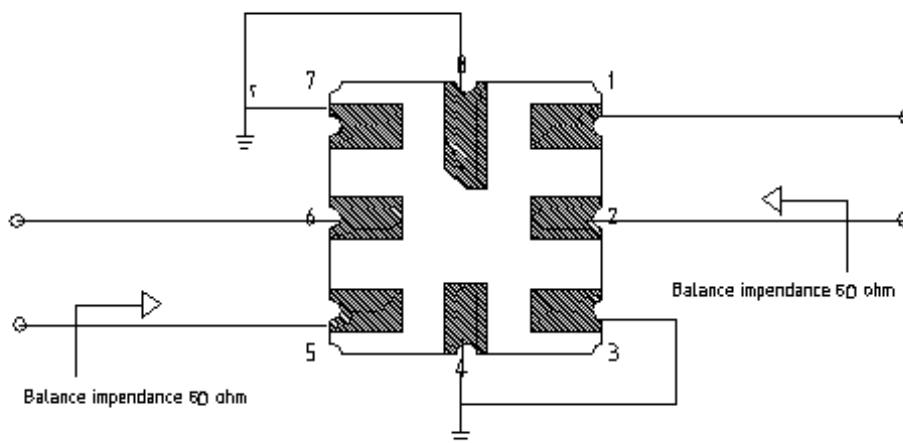
A. MAXIMUM RATING:

1. Input Power Level: 20dBm
2. DC voltage: 0 V
3. Operating Temperature: -40°C to +85°C
4. Storage Temperature: -40°C to +85°C

B. CHARACTERISTICS:

Item	Min.	Typ.	Max.
Center frequency Fc MHz	-	1090	-
Insertion loss 1084 ~ 1096MHz IL (dB)	-	4.33	5.3
Amplitude ripple 1084 ~ 1096MHz (dB)	-	0.37	1.5
Attenuation (Reference level from 0dB)			
500 ~ 924MHz (dB)	45	52	-
924 ~ 944MHz (dB)	45	58	-
944 ~ 1051MHz (dB)	40	45	-
1051 ~ 1061MHz (dB)	30	39	-
1170 ~ 2000MHz (dB)	40	41.5	-
Balanced to balanced operation			
Source impedance Z _S (Ω)	-	50	-
Load impedance Z _L (Ω)	-	50	-

C. MEASUREMENT CIRCUIT:



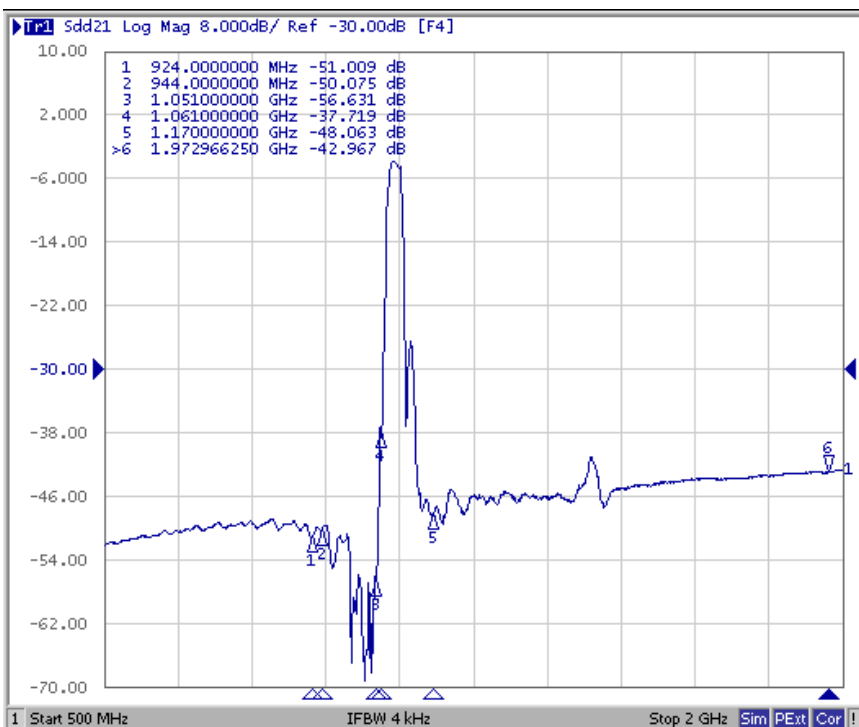
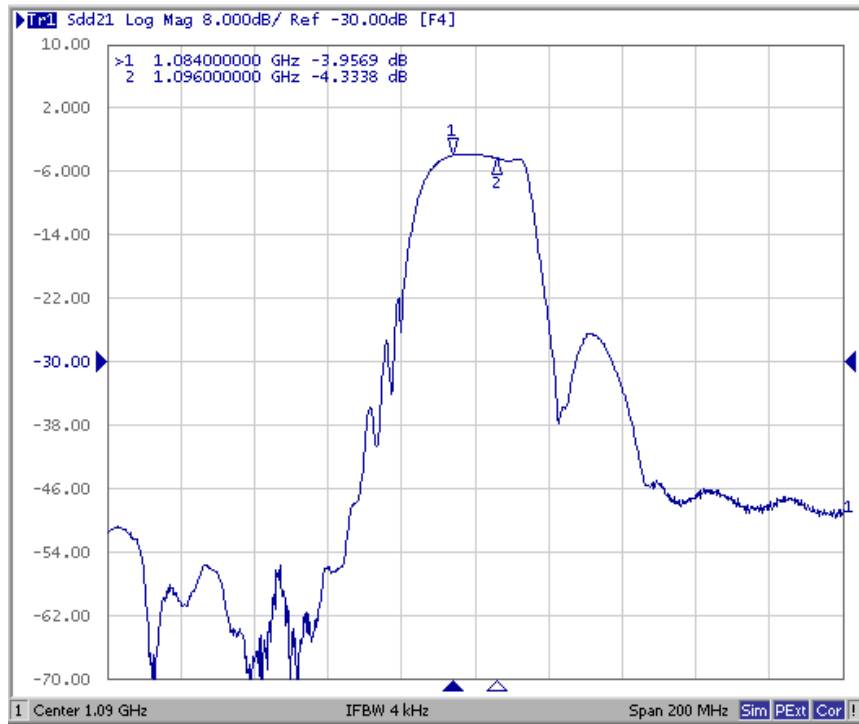
SAW Filter 1090.0MHz
Part No: MA09528

Model: TA0691A
Rev No: 2

D. FREQUENCY CHARACTERISTICS:

Transfer Function

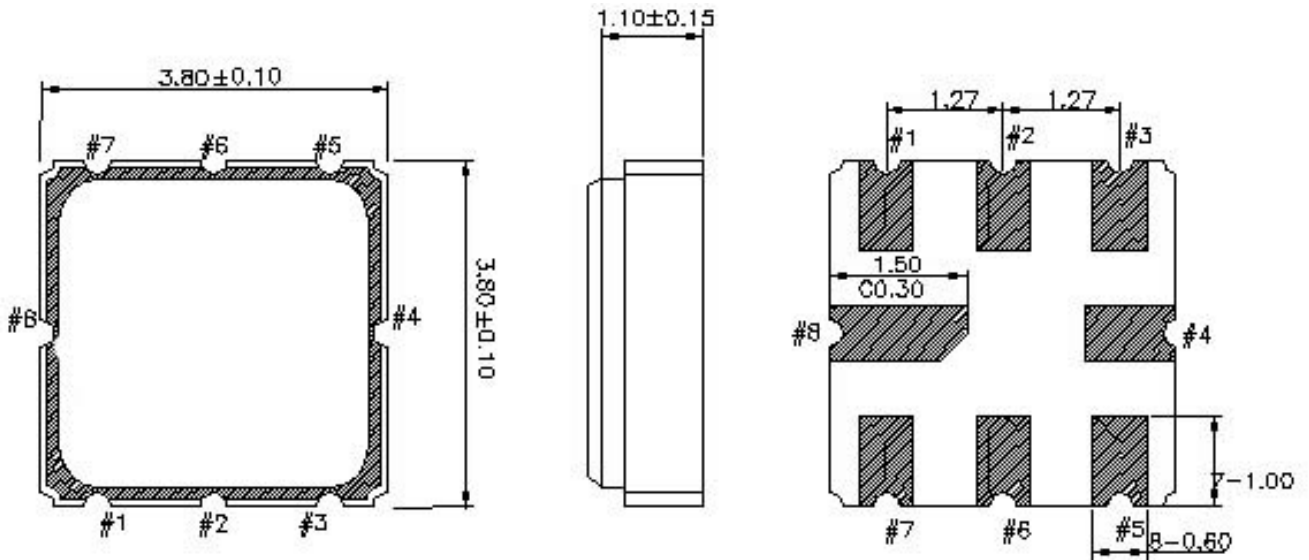
Narrowband



SAW Filter 1090.0MHz
Part No: MA09528

Model: TA0691A
Rev No: 2

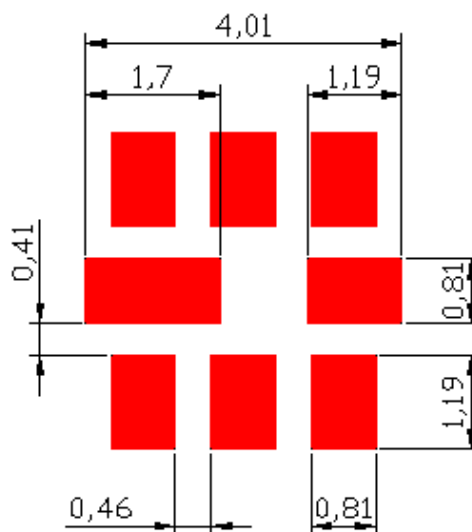
E. OUTLINE DRAWING:



#1,2 : Balance Input
#5,6 : Balance Output
#3,4,7,8: Ground

Unit : mm

F. PCB FOOTPRINT:



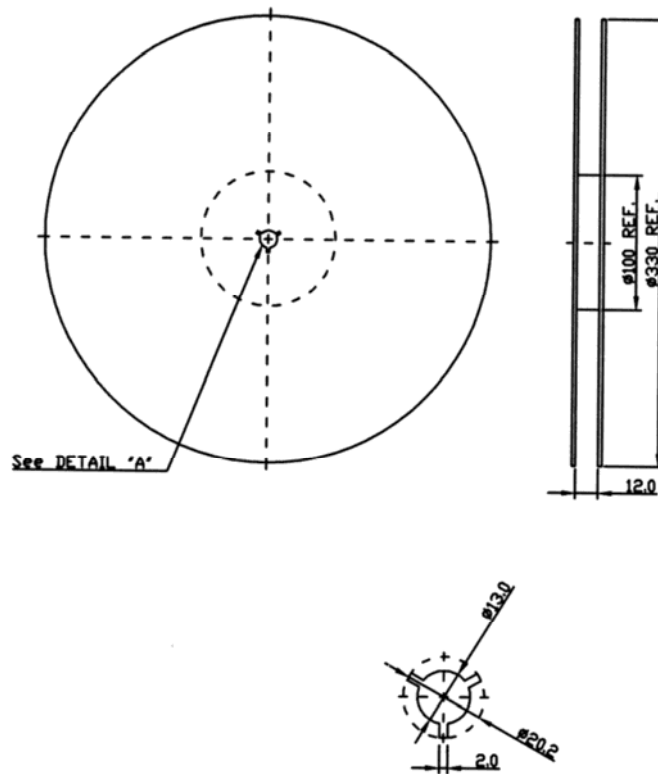
SAW Filter 1090.0MHz
Part No: MA09528

Model: TA0691A
Rev No: 2

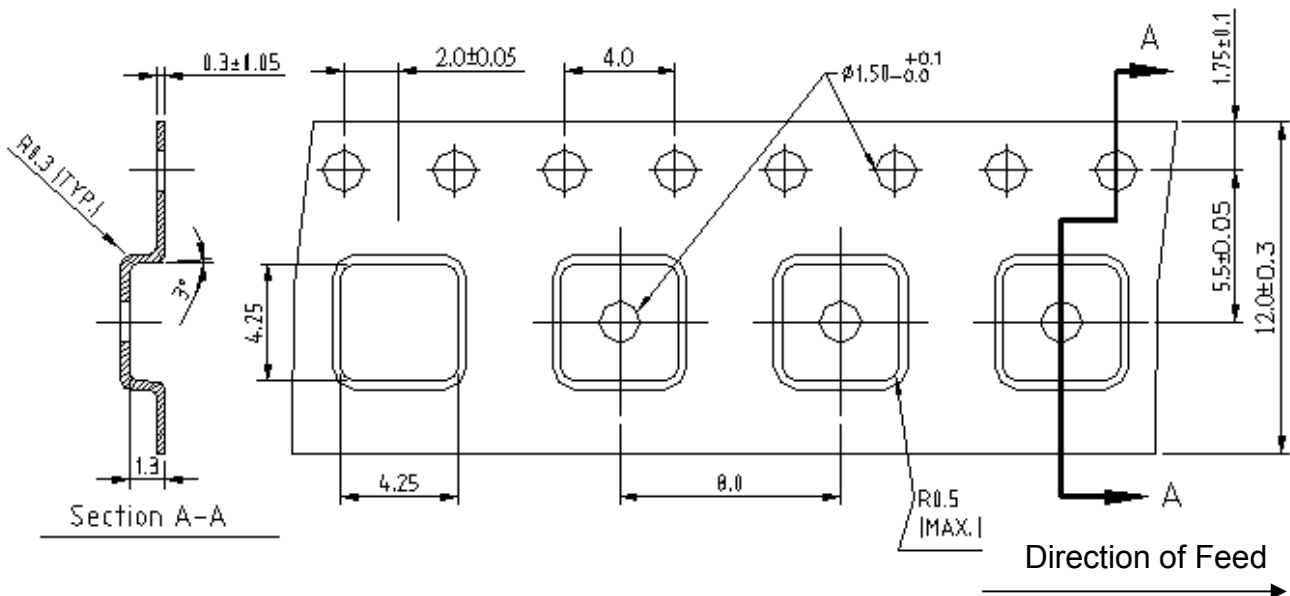
G. PACKING:

1. Reel Dimension

(Reel Count: 7" = 1000; 13" = 3000)



2. Tape Dimension



SAW Filter 1090.0MHz
Part No: MA09528

Model: TA0691A
Rev No: 2

H. RECOMMENDED REFLOW PROFILE:

