

1 2 3 4 5 6

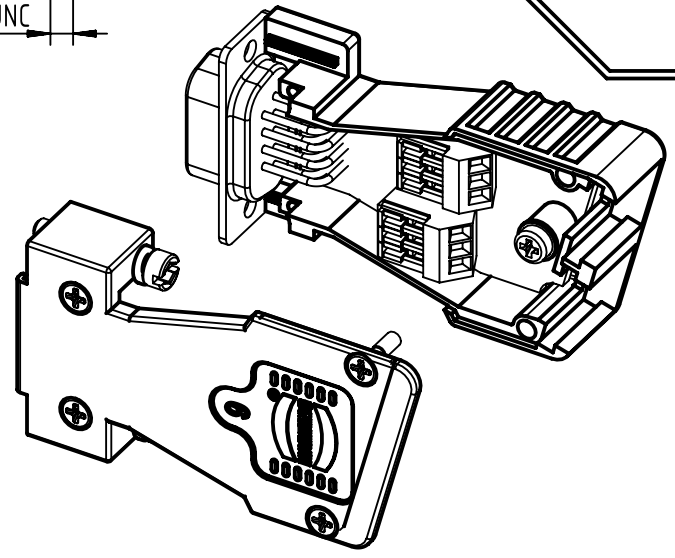
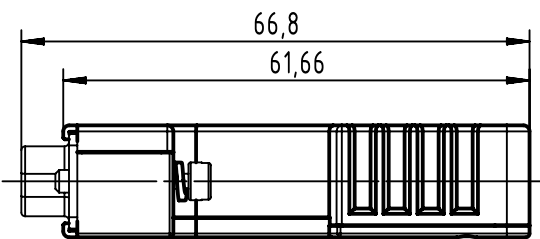
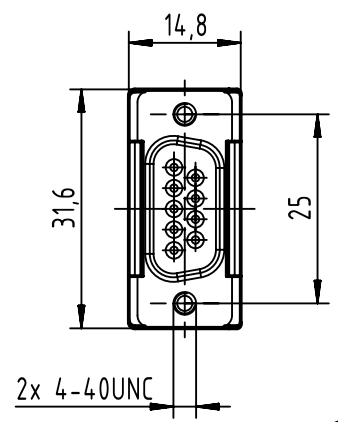
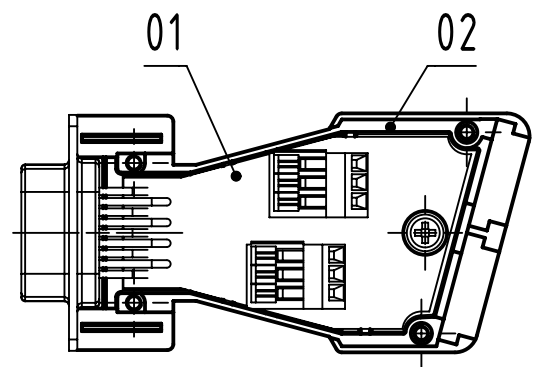
A

B

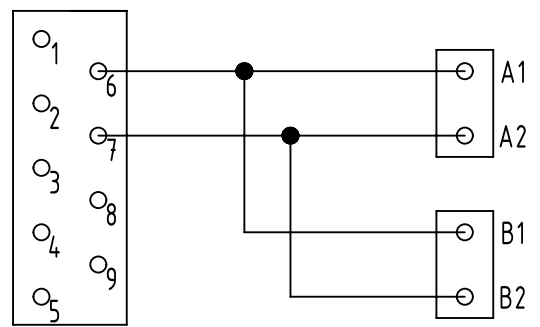
C

D

view without cover



FIP interface



	All rights reserved		Created by ZHUANGJ	Inspected by LUOK	Standardisation ROEBEN	Date 2021-08-04	State Final Release		
	Department EL PD		Title InduCom 9 FIP middle of the line			Doc-Key / ECM-Nr. 100073157/UGD/019/B 500000200533			
6663 009 5017 777		PL1	Small batch	Type TB			Number 66630095017	Rev. B	Page 1/1
6663 009 5017		PL1	Standard batch	Number 66630095017			Page 1/1		
Part number	Performance level	Remark		D-32339 Espelkamp					