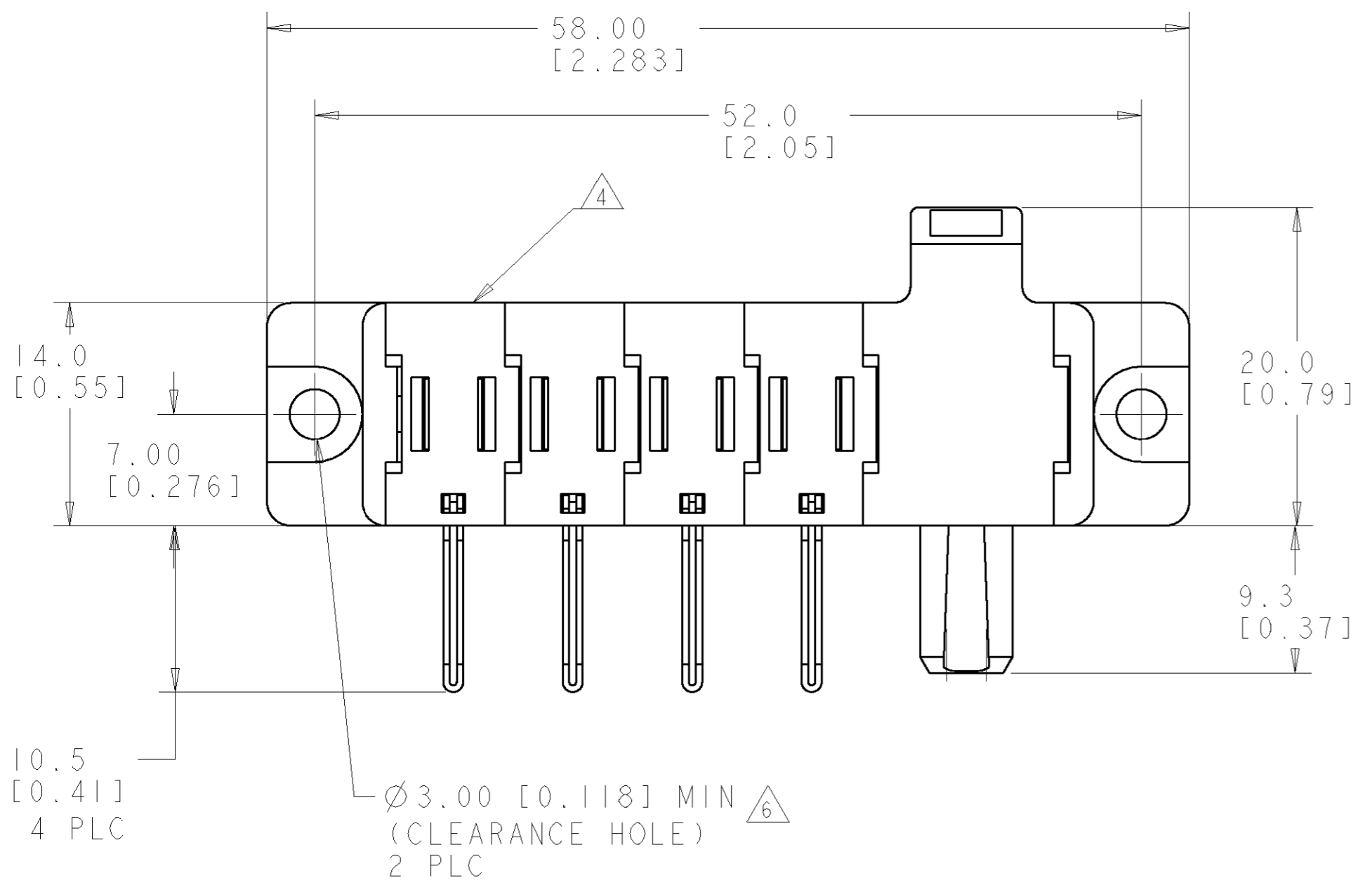


THIS DRAWING IS UNPUBLISHED. RELEASED FOR PUBLICATION 20
 © COPYRIGHT 20 BY TYCO ELECTRONICS CORPORATION. ALL RIGHTS RESERVED.

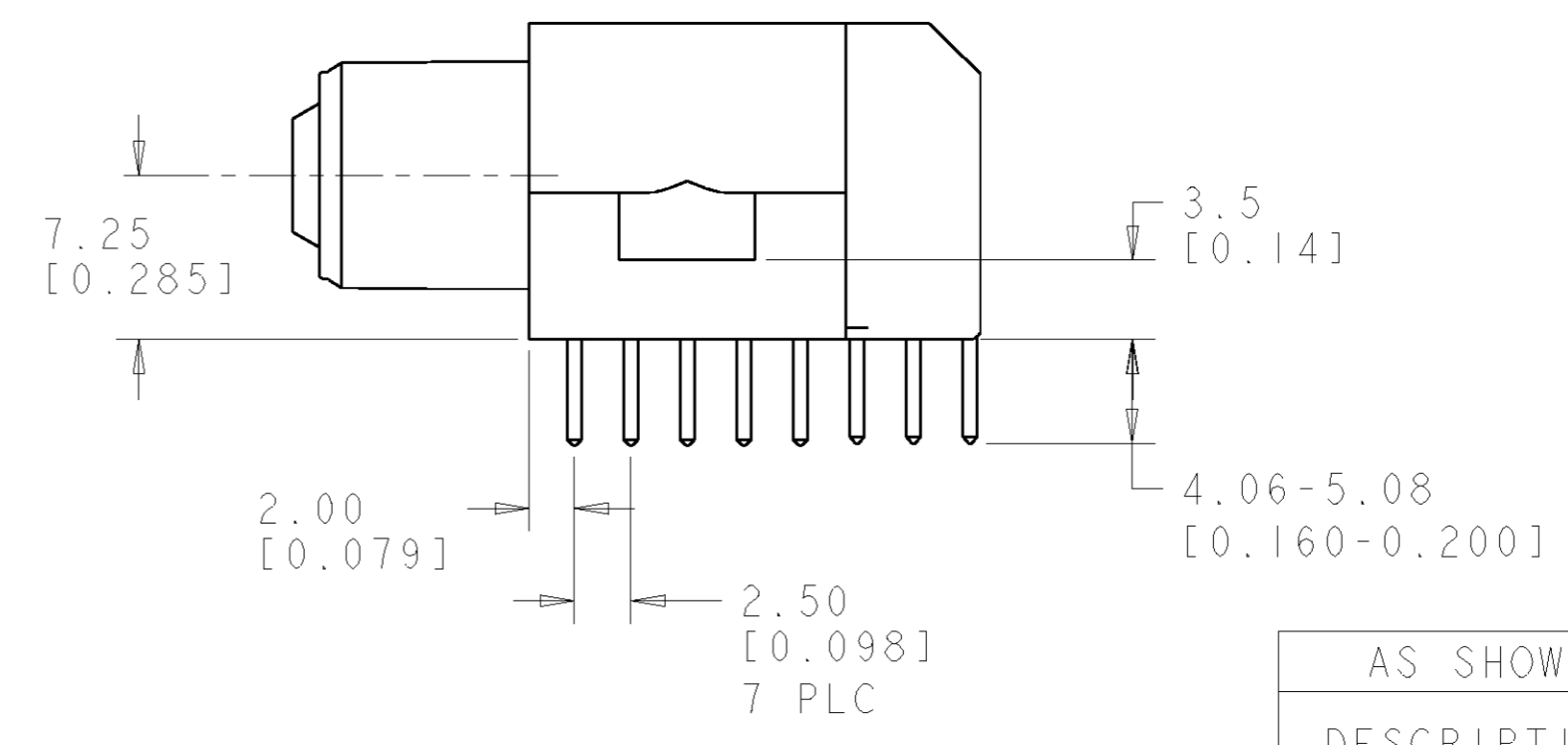
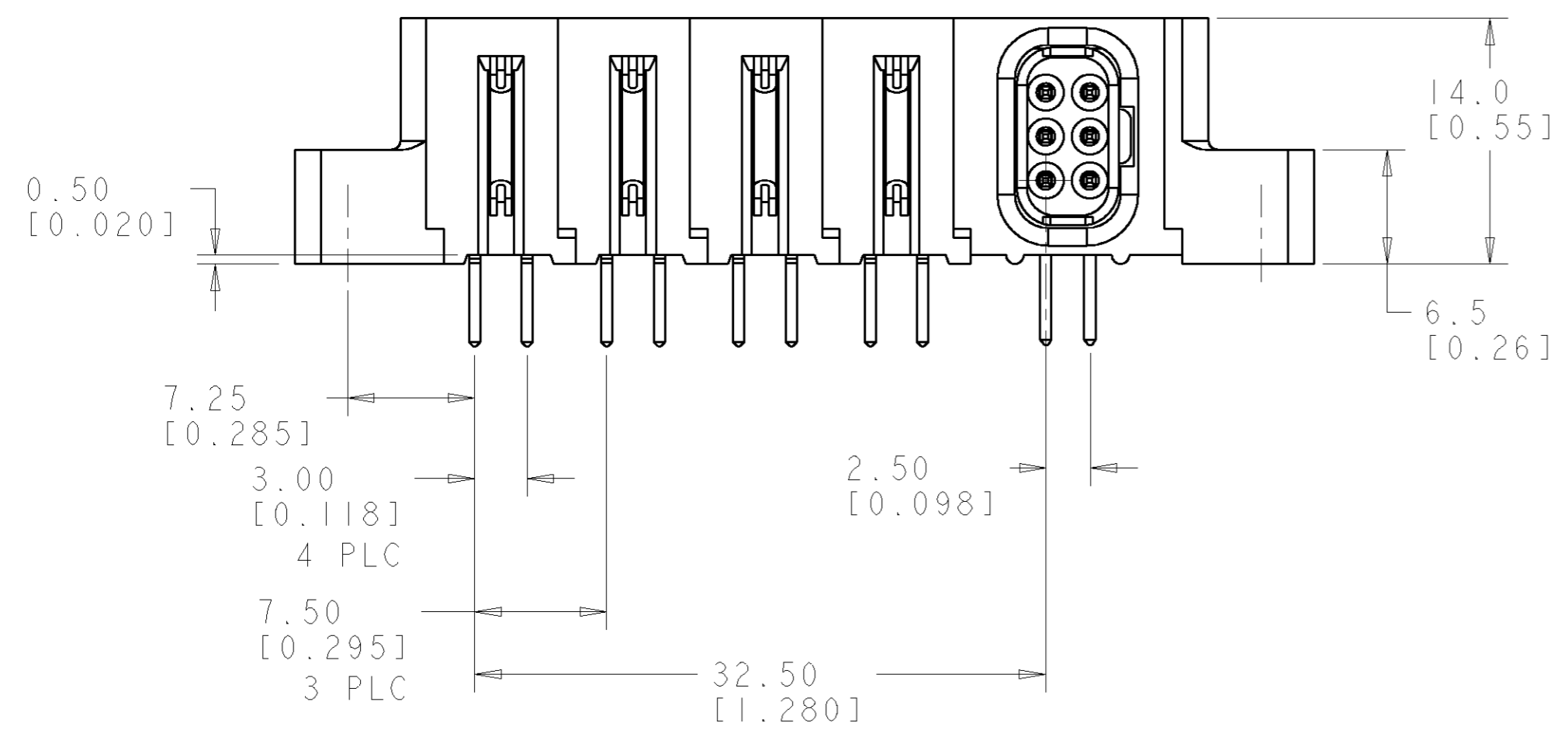
LOC	DIST	REVISIONS					
GP	00	P	LTR	DESCRIPTION	DATE	DWN	APVD
		A		RELEASED	26JAN2006	RG	PD



- PART NUMBER CHANGES AND OR DESIGN CHANGES AFFECTING ITEM INTERCHANGEABILITY REQUIRE PRIOR TYCO APPROVAL AND AUTHORIZATION BY REVISION TO THIS DRAWING.
 - MATERIAL:
 INSULATORS - THERMOPLASTIC, GLASS REINFORCED, COLOR: BLACK UL94V-0 FLAMMABILITY RATED.
 POWER CONTACTS - PHOSPHOR BRONZE ALLOY, COPPER ALLOY
 CROWN BANDS - BERYLLIUM COPPER ALLOY
 SIGNAL CONTACTS - BRASS ALLOY
 - FINISH:
 CONTACTS - GOLD PLATE .000030 INCH MIN. THK., OVER NICKEL
 .000040 INCH MIN. THK SOLDER TAILS,
 TIN, .000100 INCH MIN. THK.
- △ ITEMS PROVIDED TO THIS SPECIFICATION TO BE PERMANENTLY IDENTIFIED PER THE FOLLOWING IDENTIFIER LABEL

YEAR WEEK
 TYCO PART NO. & REV DATE CODE (e.g. 0106)
 XXXXXXXX-X XXXX

- MATES WITH TYCO P/N 6646661-1
- MOUNTING FLANGES ACCEPTS M3 OR #4-40 SCREWS (USER SUPPLIED)



AS SHOWN	6648043-1
DESCRIPTION	PART NUMBER

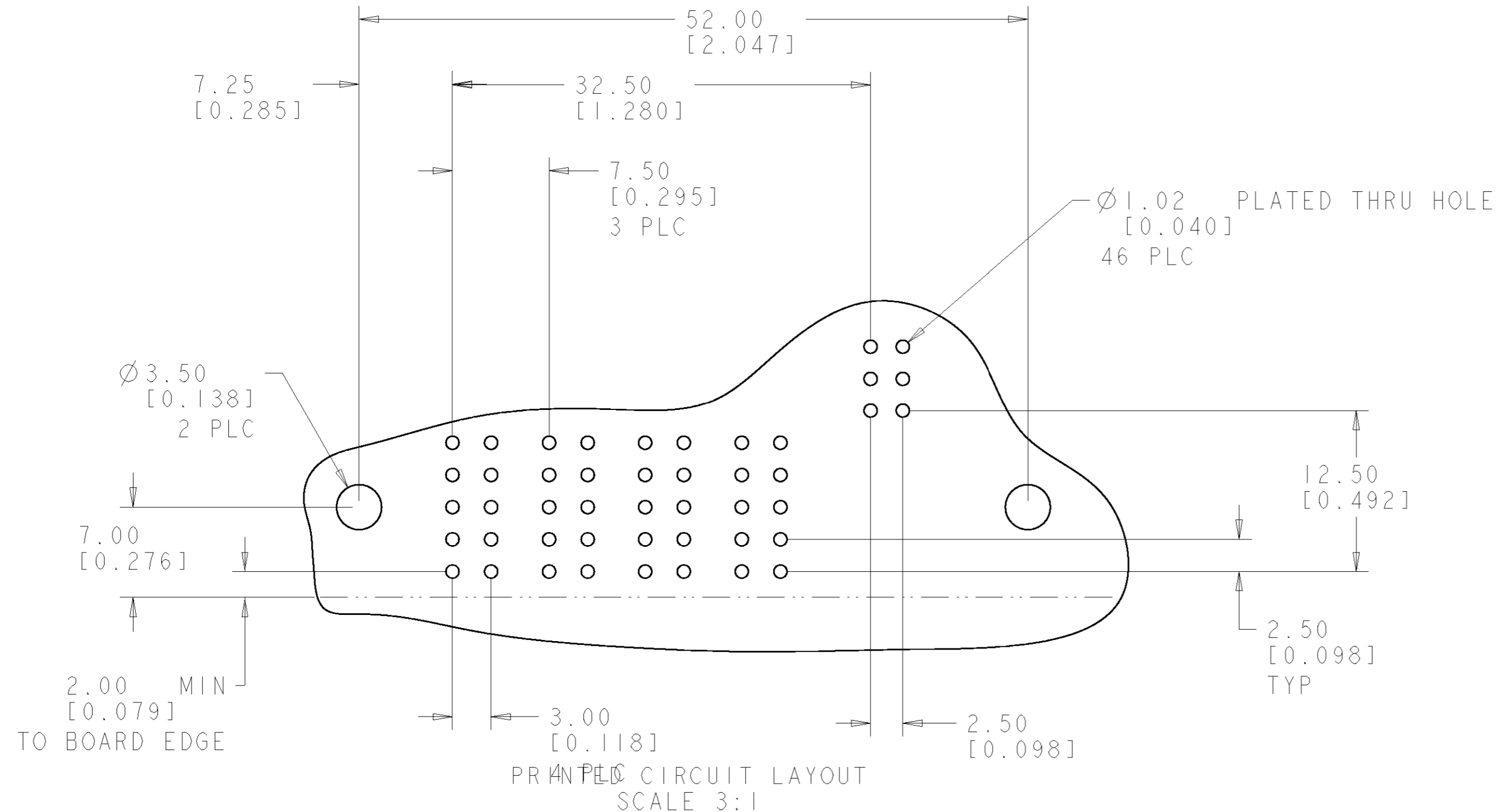
THIS DRAWING IS A CONTROLLED DOCUMENT FOR TYCO ELECTRONICS CORPORATION. IT IS SUBJECT TO CHANGE AND THE CONTROLLING ENGINEERING ORGANIZATION SHOULD BE CONTACTED FOR THE LATEST REVISION.		DWN R. GRZYBOWSKI 26JAN2006	Tyco Electronics Harrisburg, PA 17105-3608
DIMENSIONS: mm [INCHES]		CHK P. DAMATO 26JAN2006	
TOLERANCES UNLESS OTHERWISE SPECIFIED:		APVD S. FLICKINGER 26JAN2006	
0 PLC ±.5 [.020] 1 PLC ±.25 [.010] 2 PLC ±.25 [.010] 3 PLC ±. 4 PLC ±. ANGLES ±.5 FINISH		NAME SOCKET CONNECTOR, FLATPAQ, RIGHT ANGLE, SOLDER TAILS	
MATERIAL		PRODUCT SPEC -	SIZE A2
		APPLICATION SPEC -	CAGE CODE 00779
		WEIGHT -	DRAWING NO. 6648043
		CUSTOMER DRAWING	RESTRICTED TO -
			SCALE 3:1 SHEET 1 OF 2 REV A

ELCON FLATPAQ

THIS DRAWING IS UNPUBLISHED. RELEASED FOR PUBLICATION 20
 © COPYRIGHT 20 BY TYCO ELECTRONICS CORPORATION. ALL RIGHTS RESERVED.

LOC	DIST	REVISIONS					
GP	00	P	LTR	DESCRIPTION	DATE	DWN	APVD
		-		SEE SHEET 1	-	-	-

CONNECTOR	CATALOG MODULE #	QTY	SIZE NO.	CONTACT QTY	MATING PIN	MAX. CURRENT (PER CONTACT)	CONTACT SPACING	VOLTAGE RATING
SOCKET	FP0105	4	8	4	1.25 X 7.00 [.049 X .276]	35 amps	7.50 [.2953]	250
	FP0315	1	22	6	.64 [.025] SQ.	3 amps	2.50 [.0984]	125 VOLTS
	FP0500	1	LEFT MOUNTING FLANGE					
	FP0501	1	RIGHT MOUNTING FLANGE					



THIS DRAWING IS A CONTROLLED DOCUMENT FOR TYCO ELECTRONICS CORPORATION IT IS SUBJECT TO CHANGE AND THE CONTROLLING ENGINEERING ORGANIZATION SHOULD BE CONTACTED FOR THE LATEST REVISION.		DWN R. GRZYBOWSKI 26 JAN 2006 CHK P. DAMATO 26 JAN 2006 APVD S. FLICKINGER 26 JAN 2006	tyco Tyco Electronics Harrisburg, PA 17105-3608
DIMENSIONS: mm [INCHES]	TOLERANCES UNLESS OTHERWISE SPECIFIED: 0 PLC ± .5 [.020] 1 PLC ± .25 [.010] 2 PLC ± .25 [.010] 3 PLC ± .25 [.010] 4 PLC ± .25 [.010] ANGLES ± .5 FINISH	NAME SOCKET CONNECTOR, FLATPAQ, RIGHT ANGLE, SOLDER TAILS	SIZE A2 CAGE CODE 00779 DRAWING NO. 6648043
MATERIAL		RESTRICTED TO	
CUSTOMER DRAWING		SCALE 3:1	SHEET 2 OF 2 REV A