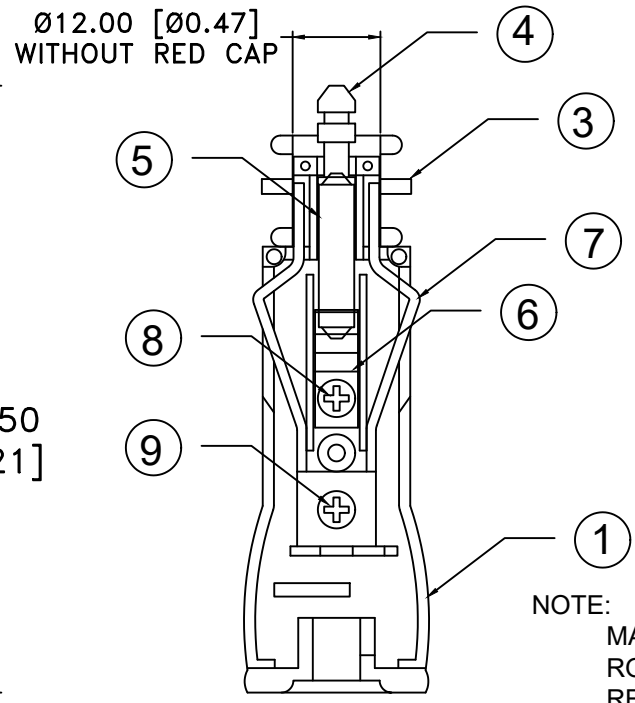
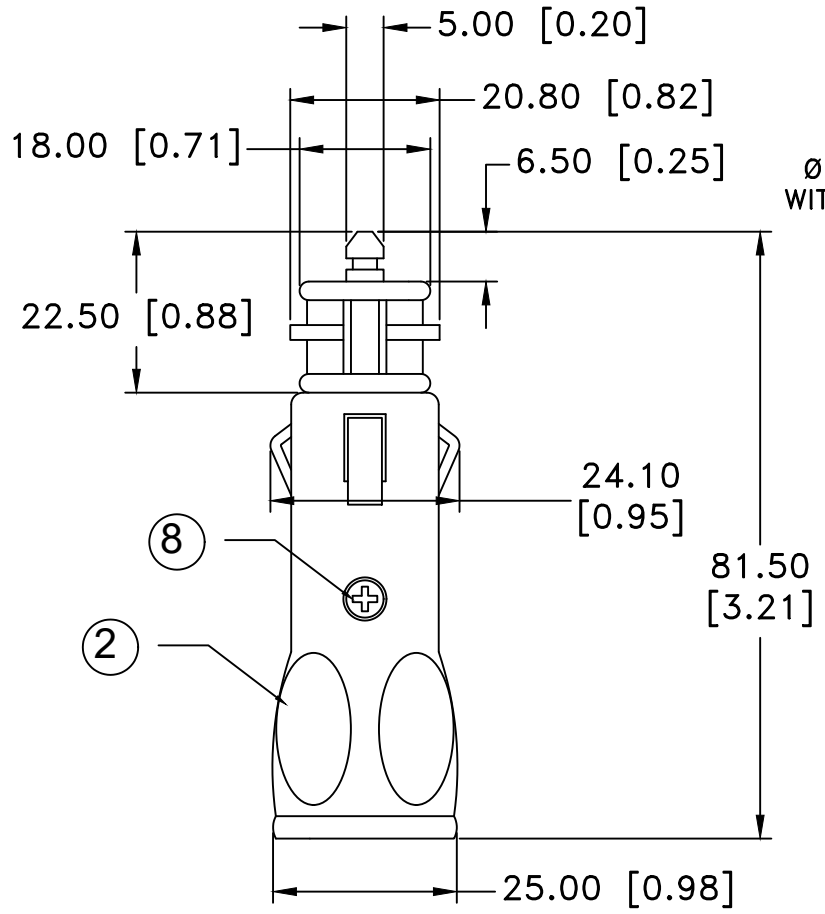


Date	SYM	REVISION RECORD	AUTH	DR.	CK.
02/23/22	F	DIM. 81.50 WAS 82.55 ITEM 3 CAP MATERIAL WAS NYLON 66	T.B.	B.S.	
12/23/22	G	ADDED CE LISTED TO NOTE	T.B.	B.S.	
03/02/23	H	ADDED DIM. 12.00	T.B.	B.S.	



NOTE:
 MAXIMUM RATING: 5AMP.
 ROHS COMPLIANT
 REMOVE THE RED CAP FOR DIN 4165
 APPLICATION
 CE LISTED

ITEM NO.	PART NAME	MATL. SPECIFICATION	Tolerance (Except as noted)	MPD Memory Protection Devices, Inc 200 Broad Hollow Road, Farmingdale, New York 11735			
1	BOTTOM COVER	ABS, UL94-HB, FILE NO. E56070(S)	decimal ±.020 (.5)	Title	CIGARETTE LIGHTER PLUG FOR 21mm WITHOUT RED CAP OR 22.2 mm WITH RED CAP OR DIN 4165	Scale	
2	TOP COVER	ABS, UL94-HB, FILE NO. E56070(S)					Drawn By B.S.
3	CAP	PC	Fractional ± .030 (.8)	Date	03/02/23	Drawing Number AP-124	
4	COPPER WIRE	BRASS, NICKEL PLATED					Approved By T.B.
5	FUSE	5 AMP					
6	+VE SPRING	PHOSPH. COPPER, NICKEL PLTD	Angular ± 3°				
7	-VE SPRING	BRASS, NICKEL PLATED					
8	SELF TAPPING SCREW	STEEL					
9	SELF TAPPING SCREW	STEEL					