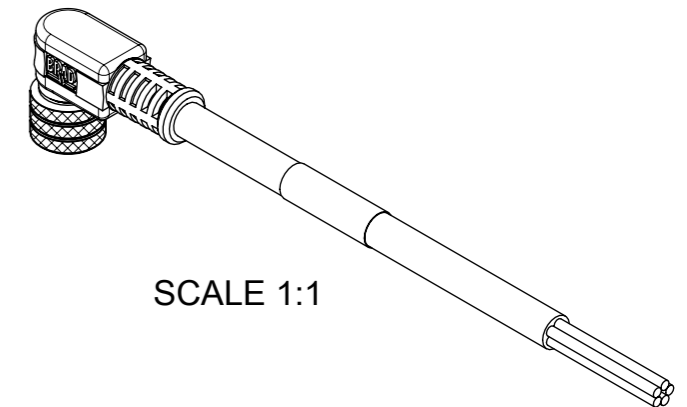
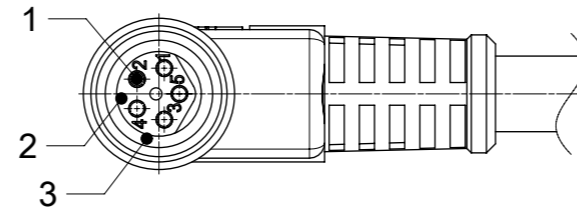
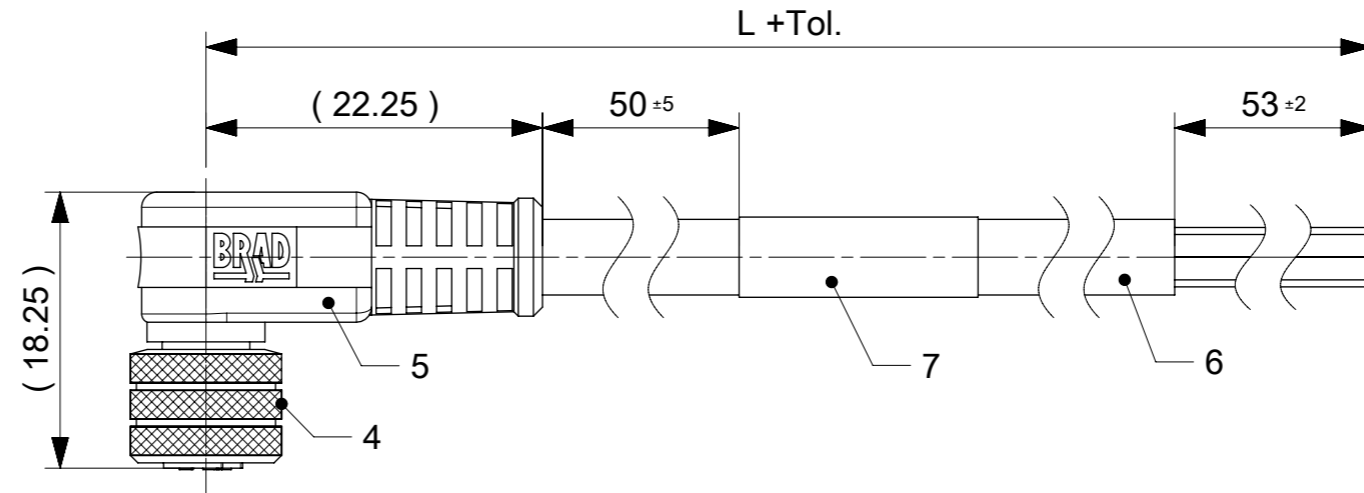
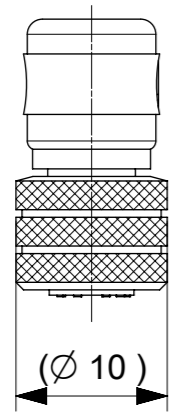


FEMALE PLUG M8 90° ANGLED



NOTES:
 RATED VOLTAGE: 3 contacts 60V AC/DC
 4 and 5 contacts 30V AC/DC
 CURRENT RATING: 3, 4, 5 contacts 3A
 PROTECTION CLASS: IP 67
 TEMPERATURE: -25°C / +80°C

CONTACT POSITION FRONT VIEW:

| 3 CONTACTS | | 4 CONTACTS | | 5 CONTACTS | |
|------------|-------|------------|-------|------------|-------|
| | | | | | |
| PIN 3 | PIN 1 | PIN 3 | PIN 1 | PIN 3 | PIN 1 |
| PIN 4 | PIN 4 | PIN 4 | PIN 2 | PIN 4 | PIN 2 |
| | | | | | PIN 5 |
| PIN | WIRE | PIN | WIRE | PIN | WIRE |
| 1 | BROWN | 1 | BROWN | 1 | BROWN |
| 2 | - | 2 | WHITE | 2 | WHITE |
| 3 | BLUE | 3 | BLUE | 3 | BLUE |
| 4 | BLACK | 4 | BLACK | 4 | BLACK |
| | | | | 5 | GREY |

CODING ACCORDING TO IEC 61076-2-104

FOR OPTIONS SEE - NUMERICAL CODE - ON SHEET 2

| ITEM | QTY. | DESCRIPTION | MATERIAL | FINISH |
|------|-----------|-------------------------|-------------|----------------------|
| 7 | 1 | LABEL | VINYL | - |
| | - | PRINTING FOR CABLES IXX | - | - |
| 6 | - | CABLE | SEE SHEET 2 | - |
| 5 | - | OVERMOULDING BLACK | TPU | - |
| 4 | 1 | NUT M8 FEMALE | BRASS | NICKEL |
| 3 | 1 | O-RING RED | FKM | - |
| 2 | 1 | INSERT FEMALE BLACK | TPU | - |
| 1 | 3 / 4 / 5 | CONTACT M8 FEMALE | BRASS | SELECTIVE Au OVER Ni |

THIS DRAWING CONTAINS INFORMATION THAT IS PROPRIETARY TO MOLEX ELECTRONIC TECHNOLOGIES, LLC AND SHOULD NOT BE USED WITHOUT WRITTEN PERMISSION

| | | | | | |
|--|-------|--|---------|--------------------------|--------------|
| DIMENSION UNITS | SCALE | CURRENT REV DESC: REMOVED OBSOLETE PART NUMBERS AS PER PCN#510807. | | molex | |
| mm | 2:1 | | | | |
| GENERAL TOLERANCES (UNLESS SPECIFIED) | | EC NO: 726454 | | CSE M8 XP AC BC RA XM SE | |
| ANGULAR TOL ± 1.0° | | DRWN: LIKITV 2022/10/26 | | PRODUCT CUSTOMER DRAWING | |
| 4 PLACES ± | | CHK'D: GGA 2022/11/30 | | DOCUMENT NUMBER | |
| 3 PLACES ± | | APPR: GGA 2022/11/30 | | 1200868179 | |
| 2 PLACES ± 0.05 | | INITIAL REVISION: | | DOC TYPE | |
| 1 PLACE ± 0.3 | | DRWN: FGAIK 2016/11/02 | | DOC PART | |
| 0 PLACES ± 0.5 | | APPR: RSILLER 2016/11/14 | | REVISION | |
| DRAFT WHERE APPLICABLE MUST REMAIN WITHIN DIMENSIONS | | THIRD ANGLE PROJECTION | DRAWING | SERIES | SHEET NUMBER |
| | | | A3-SIZE | 120086 | 1 OF 3 |
| | | MATERIAL NUMBER | | CUSTOMER | |
| | | GENERAL MARKET | | | |

ENGINEERING NO. - NUMERICAL CODE (Available parts see PART LIST table. Other parts available upon request).

OPTIONS

4 0 X 0 0 1 X X X M X X X X X

40=Nano-Change
M8x1
Single ended

Poles:
3=3 Contacts
4=4 Contacts
5=5 Contacts

Head style:
001=Plug Female Angled

Cable type: See Table

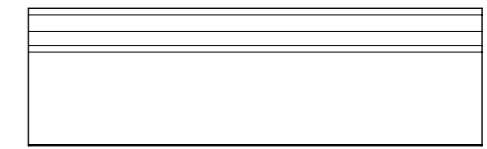
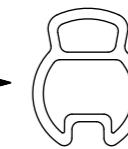
Units:
M=Meter

Length
Examples:
005=0.5 unit
010=1 unit
100=10 units

Overmold color:
Blank (Standard)=Black
G=Black / Y=Yellow
For cables K05, A10 = Yellow

Nut:
Blank (standard)=Knurled Brass Ni Plated
1=Stainless Steel
7=Teflon coat

H= 2 pcs. of I/D Carrier PVC Transparent
(Cables Ixx & P82 always with
2 pcs. of I/D Carrier)



CABLE INFORMATION

| CABLE TYPE | NO. OF WIRES | CROSS SECTION | CABLE JACKET | UL | CSA | TEMP. RATING | STATIC: TEMP. / BENDING RADIUS | DYNAMIC: TEMP. / BENDING RADIUS | DRAG CHAIN | SHIELD |
|------------|--------------|---------------------|-----------------|----------------|--------------------------|-----------------|--------------------------------|---------------------------------|---------------------------------|--------|
| A10 | 4 | 0.25mm ² | PVC YELLOW | UL 2661/1731 | I/II A/B 105°C/300V | 105°C | - | - | - | NO |
| E02 | 3 / 4 / 5 | 0.25mm ² | PVC BLACK | UL 2464/1729 | C22.2 I/II A/B 80°C/300V | - | -30°C to +80°C, 10xO.D. | -10°C to +80°C, 15xO.D. | - | NO |
| H08 | 3 / 4 / 5 | 0.25mm ² | PUR BLACK LS0H | UL 21198/10493 | C22.2 I/II A/B 80°C/300V | - | -40°C to +80°C, 5xO.D. | -25°C to +80°C, 10xO.D. | 2 000 000 cycles, Temp max 60°C | NO |
| H09 | 4 | 0.34mm ² | PUR BLACK LS0H | UL 21198/10493 | C22.2 I/II A/B 80°C/300V | - | -40°C to +80°C, 5xO.D. | -25°C to +80°C, 10xO.D. | 2 000 000 cycles, Temp max 60°C | NO |
| I02 | 3 / 4 | 0.25mm ² | PVC (CEI) GREY | - | - | - | -30°C to +70°C | -5°C to +70°C | - | NO |
| K05 | 3 | 0.34mm ² | TPE YELLOW | UL ITC OR PLTC | I/II A/B 90°C/300V | 105°C | - | - | - | NO |
| P02 | 3 / 4 / 5 | 0.25mm ² | PUR / PVC BLACK | - | - | - | -30°C to +80°C, 7xO.D. | -5°C to +80°C, 15xO.D. | - | NO |
| P82 | 3 / 4 | 0.34mm ² | PUR ORANGE | - | - | -50°C to +105°C | - | - | - | NO |

CABLE LENGTH TOLERANCES

| OVER [mm] | UP TO AND INCLUDING [mm] | TOLERANCES [mm] |
|-----------|--------------------------|------------------------|
| 0 | 305 | +19 |
| 305 | 915 | +45 |
| 915 | 1830 | +56 |
| 1830 | 3660 | +89 |
| 3660 | 7320 | +165 |
| 7320 | 14640 | +317 |
| 14640 | 30500 | +610 |
| 30500 | > | +2% of finished length |

THIS DRAWING CONTAINS INFORMATION THAT IS PROPRIETARY TO MOLEX ELECTRONIC TECHNOLOGIES, LLC AND SHOULD NOT BE USED WITHOUT WRITTEN PERMISSION

| | | | | | | |
|--|---------|--|---------|--------------------------|-----------------|--------------|
| DIMENSION UNITS | SCALE | CURRENT REV DESC: REMOVED OBSOLETE PART NUMBERS AS PER PCN#510807. | | molex | | |
| mm | 1:1 | | | | | |
| GENERAL TOLERANCES (UNLESS SPECIFIED) | | EC NO: 726454 | | CSE M8 XP AC BC RA XM SE | | |
| ANGULAR TOL | ± 1.0 ° | DRWN: LIKITV 2022/10/26 | | PRODUCT CUSTOMER DRAWING | | |
| 4 PLACES | ± | CHK'D: GGA 2022/11/30 | | DOCUMENT NUMBER | | |
| 3 PLACES | ± | APPR: GGA 2022/11/30 | | 1200868179 | | |
| 2 PLACES | ± 0.05 | INITIAL REVISION: | | DOC TYPE | | |
| 1 PLACE | ± 0.3 | DRWN: FGAIK 2016/11/02 | | DOC PART | | |
| 0 PLACES | ± 0.5 | APPR: RSILLER 2016/11/14 | | REVISION | | |
| DRAFT WHERE APPLICABLE MUST REMAIN WITHIN DIMENSIONS | | THIRD ANGLE PROJECTION | DRAWING | SERIES | MATERIAL NUMBER | CUSTOMER |
| | | | A3-SIZE | 120086 | GENERAL MARKET | SHEET NUMBER |

