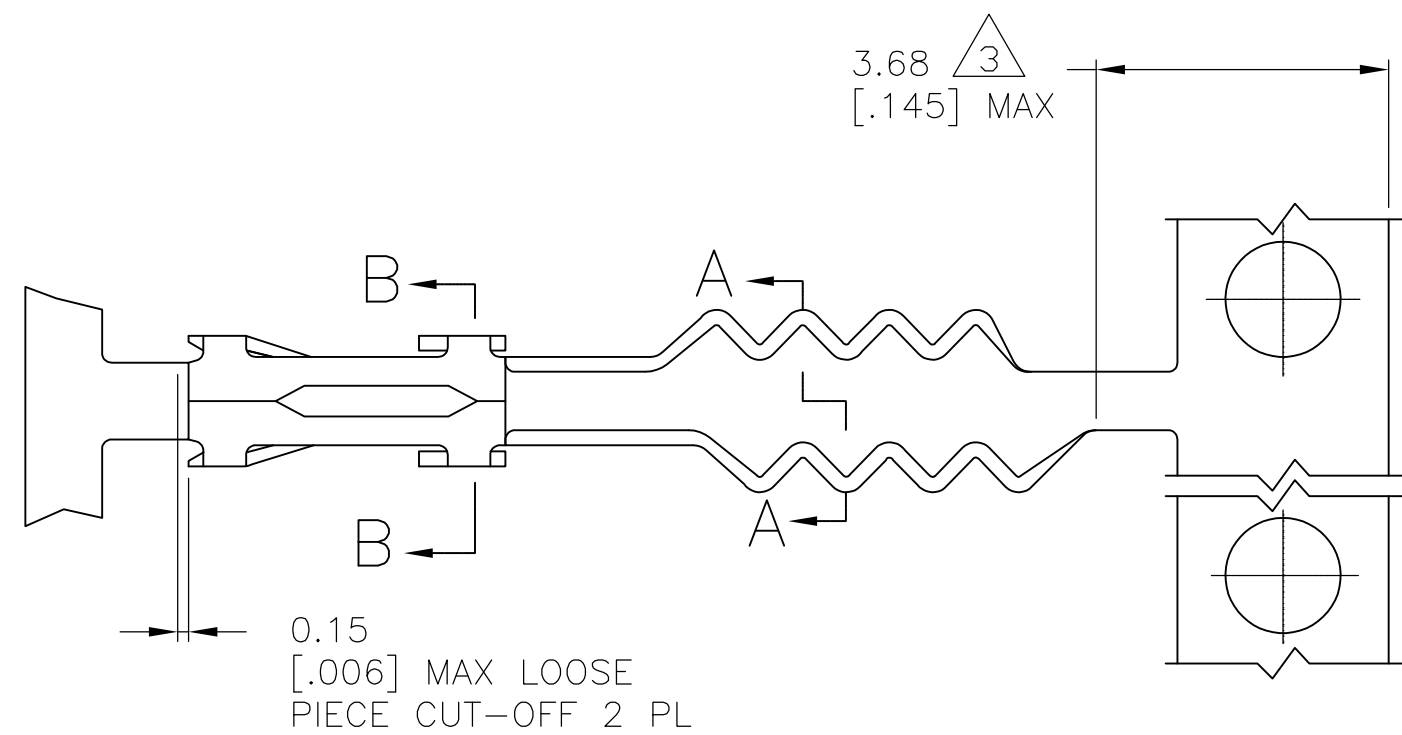
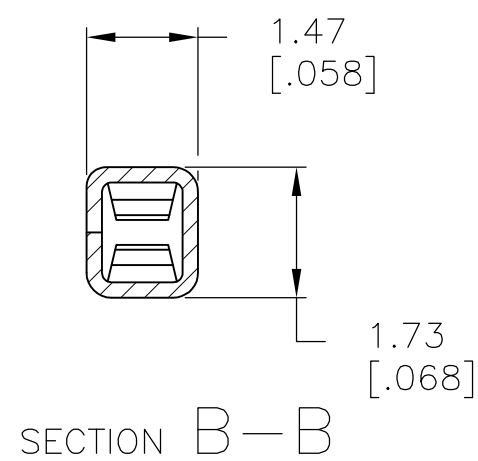
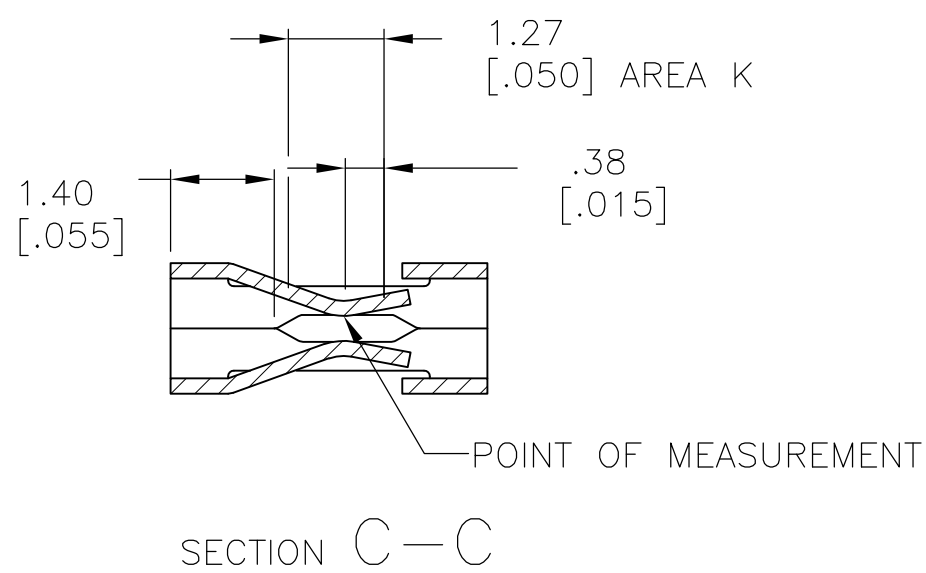
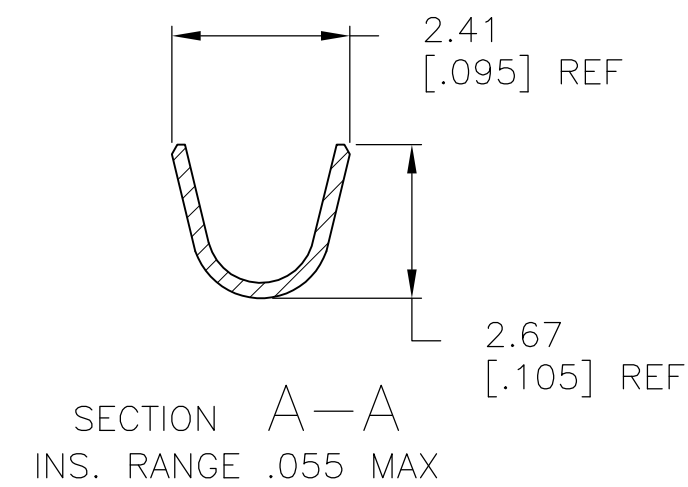
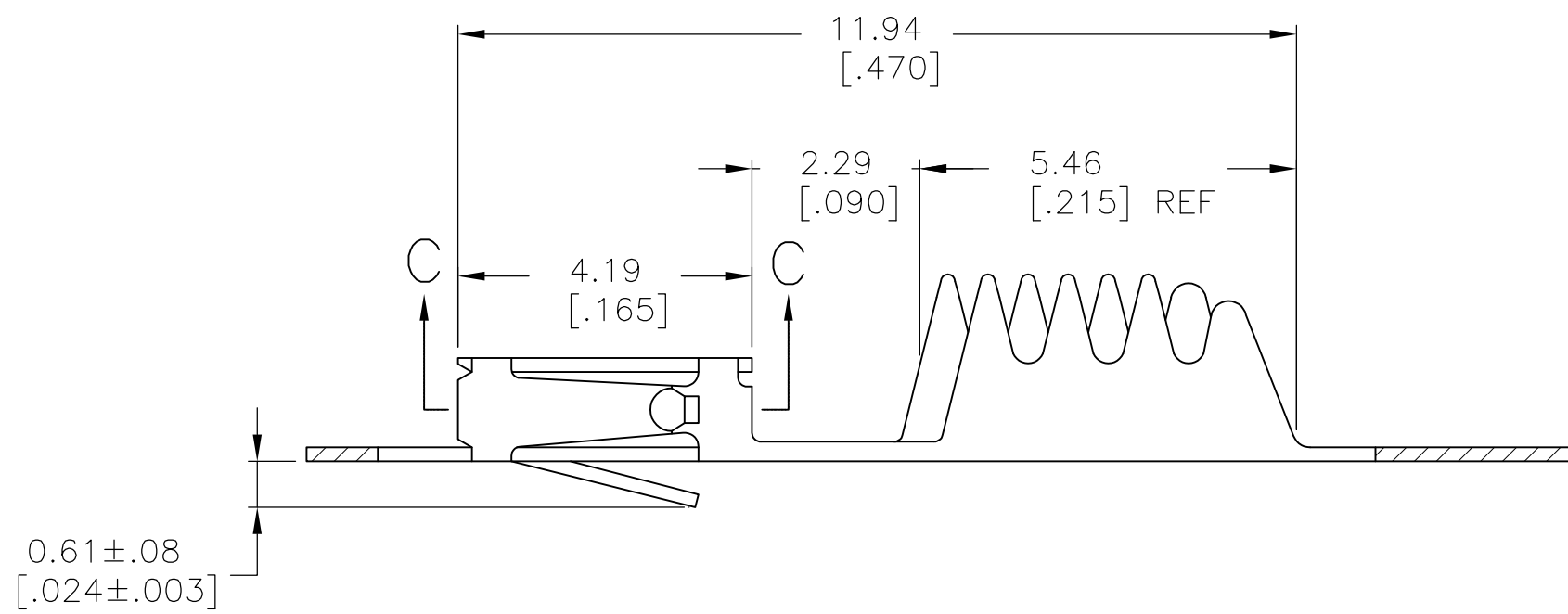


THIS DRAWING IS UNPUBLISHED. RELEASED FOR PUBLICATION
 © COPYRIGHT BY TYCO ELECTRONICS CORPORATION. ALL RIGHTS RESERVED.

LOC	DIST	REVISIONS			
P	LTR	DESCRIPTION	DATE	DWN	APVD
AD	00	H	REV & REDWN PER 0010-0309-06	31DEC96	JH JH
		H1	REVISED PER ECO-09-024717	04NOV09	KK AEG



- $\triangle 1$ FINISH: .000050-.000150 PREPLATED BRIGHT TIN.
- $\triangle 2$ LUBRICATED
- $\triangle 3$.000030 GOLD IN AREA K, GOLD FLASH ON THE REMAINDER, OVER .000050 NICKEL.
- $\triangle 5$ REELED FOR MINI APPLICATOR.
- $\triangle 6$ OBSOLETE PARTS: OBSOLETE CIS STREAMLINING PER D.RENAUD/D.SINISI



$\triangle 6$ OBSOLETE	$\triangle 3$	102169-5-
$\triangle 1$	$\triangle 2$	102169-1
FINISH		PART NO. $\triangle 3$

THIS DRAWING IS A CONTROLLED DOCUMENT.		DWN J.HERRINGTON 31DEC96	Tyco Electronics Corporation	
DIMENSIONS: mm [INCHES]		CHK J.HERRINGTON 31DEC96	Harrisburg, PA 17105-3608	
TOLERANCES UNLESS OTHERWISE SPECIFIED:		APVD J.HERRINGTON 31DEC96	NAME	
0 PLC ± -	1 PLC ± -	PRODUCT SPEC	RECEPTACLE CONTACT, MOD IV,	
2 PLC ± -	3 PLC ± -	APPLICATION SPEC	CRIMP-SNAP-IN,	
4 PLC ± -	ANGLES ± -	108-25020	INSULATION PIERCING	
MATERIAL PHOS BRONZE	FINISH SEE TABLE	114-25003	SIZE A2	CAGE CODE 00779
		WEIGHT -	DRAWING NO C=102169	RESTRICTED TO -
		CUSTOMER DRAWING	SCALE 10:1	SHEET 1 OF 1
			REV H1	

102169

A