

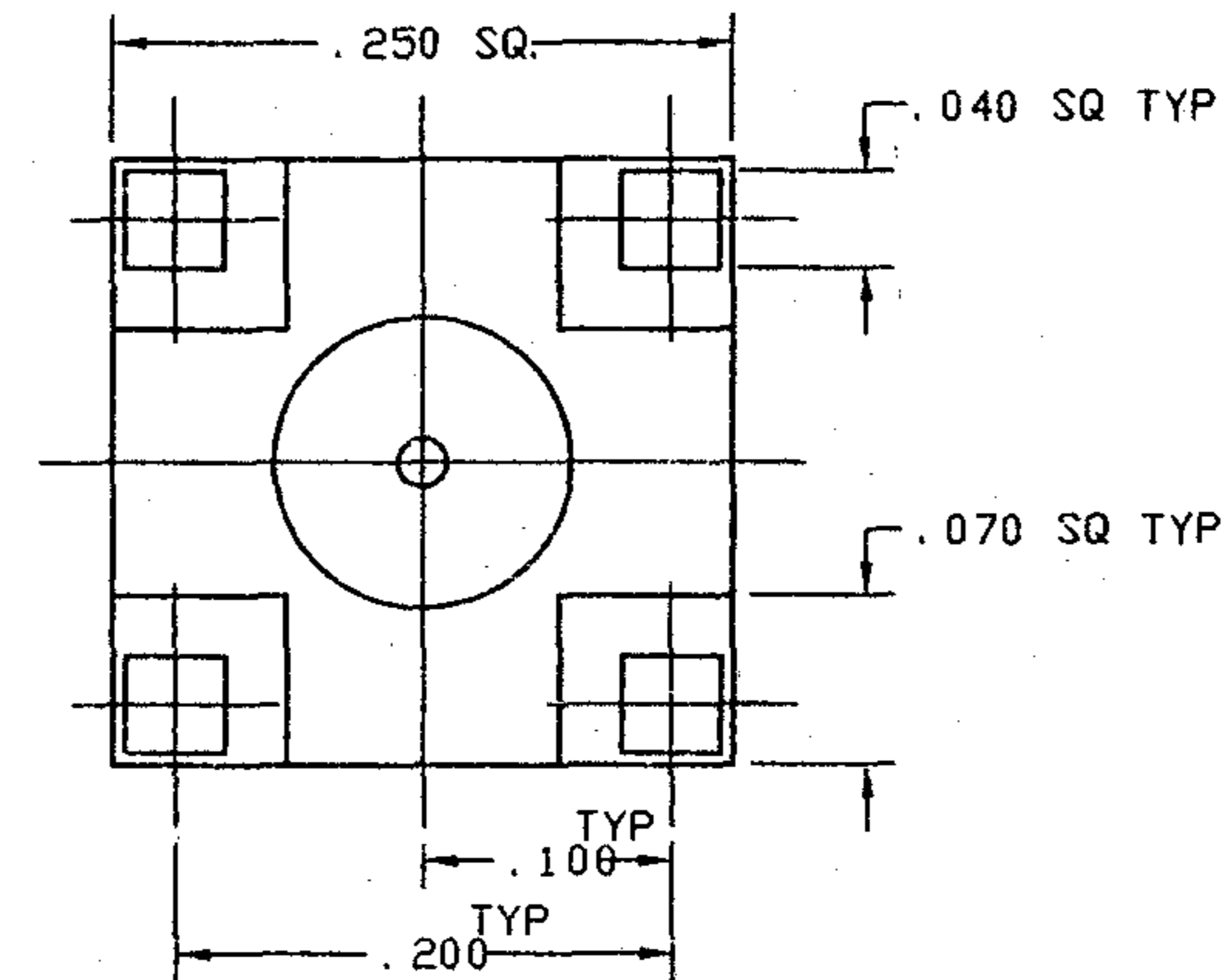
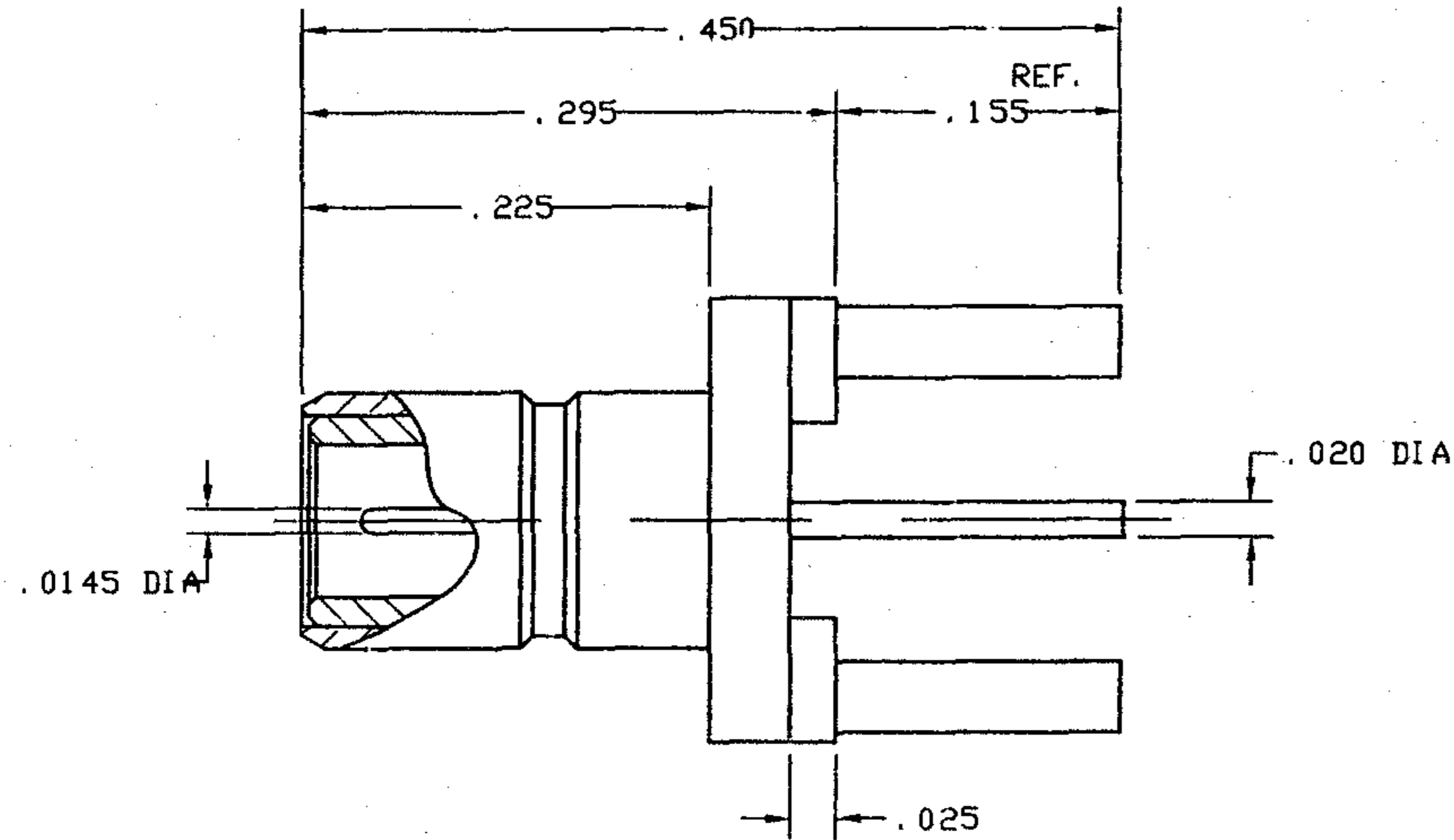
**NOTES:**

1. DO NOT SCALE THIS DRAWING.
2. MATERIAL AND FINISH  
 BODY ZINC DIE-CAST, GOLD PLATED  
 INSULATOR TFE FLUOROCARBON, COLOR RED  
 CENTER CONTACT BERYLLIUM COPPER, GOLD PLATED

903-512J-71P

REVISIONS

DRAWING NO.	REV	DESCRIPTION	DATE	ECO	APPR
THIRD ANGLE PROJ.	A	RELEASE TO MFG.	11/15/95	41047	PB/RAV
	B	SEE SHEET ONE FOR REVISIONS	4/16/98	42403	CPM/BJ



CUSTOMER DRAWING

UNLESS OTHERWISE SPECIFIED, DIMENSIONS ARE IN INCHES AND TOLERANCES ARE:  
 2 PLACE DECIMAL ±.015 (0,381 mm)  
 3 PLACE DECIMAL ±.005 (0,127 mm)  
 ANGLES ± 1°

NOTICE - These drawings, specifications, or other data (1) are, and remain the property of Amphenol Corp. (2) must be returned upon request; and (3) are confidential and not to be disclosed to any person other than those to whom they are given by Amphenol Corp. The furnishing of these drawings, specifications, or other data by Amphenol Corp., or to any other person or anyone for any purpose is not to be regarded by implication or otherwise in any manner licensing, granting rights or permitting such holder or any other person to manufacture, use or sell any product, process or design, patented or otherwise, that may in any way be related to or disclosed by said drawings, specifications, or other data.

MATERIAL

REFERENCE

EAR 111-964612  
 111-964730  
 KS 24190 L3 ISSUE 1  
 615X-1351-300

DRAWN

P. BRENZEL

ENGINEER

APPROVED

R. VACCARD

CAD FILE

H:\PETE\SMB\903\ASSY\512J71PC

DATE

11-6-95

DATE

11/10/95

TITLE

SMB JACK 75 OHM  
 PC MOUNT

**Amphenol**

Amphenol Corporation  
 RF/Microwave Operations  
 Danbury, Conn. U.S.A. 06810

SCALE: 8:1 SHEET: 2 OF 2

CODE ID  
 74868

DWG SIZE  
 B

DRAWING NO.

903-512J-71P

ISSUE

B