

**THIS PRODUCT MANUFACTURED
WITH LEAD-FREE PROCESSING**

DO NOT
SCALE FROM
THIS PRINT

ACP-12-XX-X-XX.XX-X-XX-O-X

LEAD STYLE
-01: 4 POS (1.0 TERM/SKT), 24 AWG
-02: 5 POS (1.0 TERM/SKT), 24 AWG
-03: 6 POS (0.5 TERM/SKT), 28 AWG
-04: 8 POS (0.5 TERM/SKT), 28 AWG
-05: 6 POS COMBO
(2x1.0 TERM/SKT), 24 AWG
(4x0.5 TERM/SKT), 28 AWG

KEYING FEATURE
(SEE NOTE 5) (SEE SHEET 2)
-1: ORANGE
-2: GREEN
-3: BLUE
-4: YELLOW

STYLE
-O: OVERMOLDED PLASTIC

END 2
-T: TERMINAL
-S: SOCKET
-BC: BLUNT CUT

END 1
-T: TERMINAL
-S: SOCKET (NOT AVAILABLE
WITH END 2 -T)

PLATING
-G: 10µ" GOLD IN
CONTACT AREA
-H: 30µ" GOLD IN
CONTACT AREA

ASSEMBLED LENGTH
XX.XX (IN METERS)
(00.25 METER MIN TO 50.00 METER MAX)

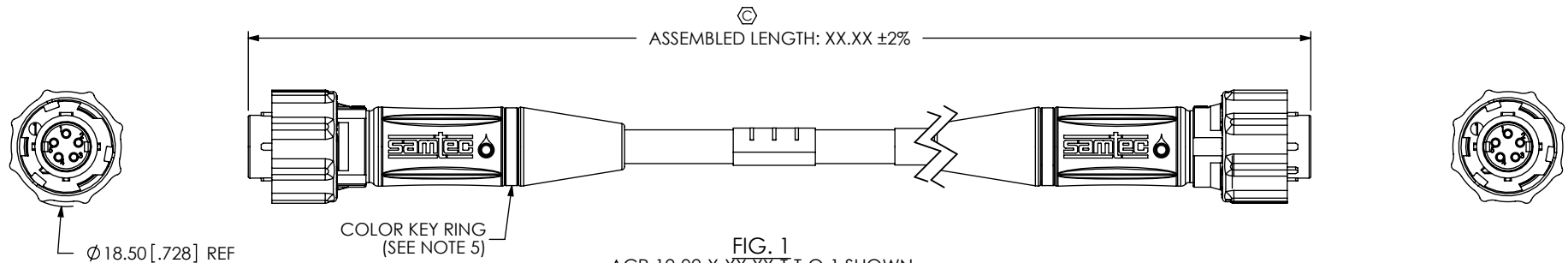
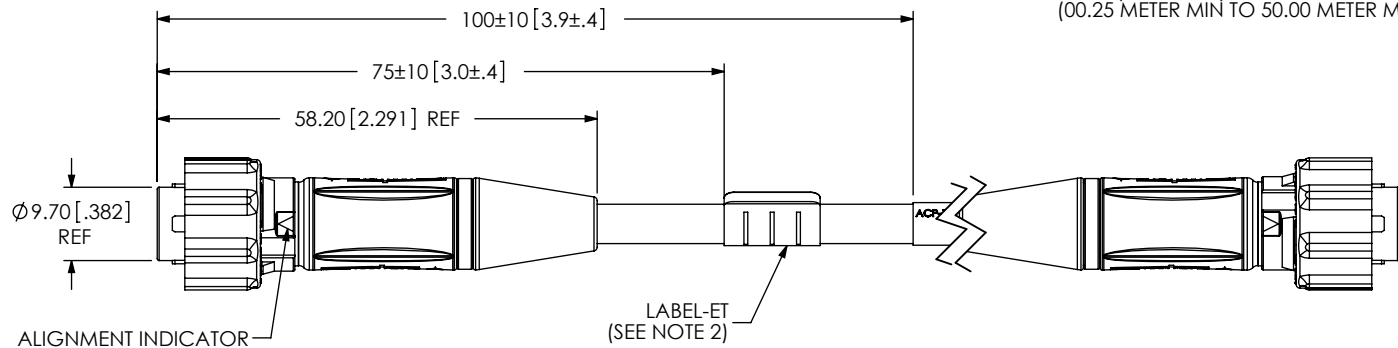


FIG. 1
ACP-12-02-X-XX.XX-T-T-O-1 SHOWN

NOTES:

1. Ⓢ REPRESENTS A CRITICAL DIMENSION.
2. ASSEMBLY TO BE 100% TESTED FOR CONTINUITY, ISOLATION, & HI-POT AT 300V. (1) LABEL-ET TO BE APPLIED AFTER FINAL ELECTRICAL TEST.
3. SAMTEC LOGO SHALL APPEAR AT TWO EQUALLY SPACED LOCATIONS ON SURFACE SHOWN, APPROXIMATELY 16.33[.643] x 3.96[.156] x 0.20[.008] DEEP.
4. ASSEMBLIES TO BE BULK PACKAGED.
5. KEYING FEATURE DETERMINES COLOR OF KEY RING AND DUSTCAP LANYARD IF APPLICABLE.
6. SIGNAL MAPPING IS: 1 TO 1, 2 TO 2, 3 TO 3, etc..
7. REFER TO DCA-ACP-12-P-X PRINT FOR DUST CAP.
8. PLACE HDRL-11 (LABEL) ON CABLE WHERE SHOWN. LABEL TO CONTAIN:
LINE 1 - PART NUMBER "ACP-12-XX-X-XX.XX-X-XX-O-X"
LINE 2 - SHOP ORDER NUMBER "XXXXXX"
LINE 3 - DATE CODE "XXXXXX"
9. ASSEMBLY TO BE 100% TESTED FOR CONTINUITY, ISOLATION, & HI-POT AT 300V BEFORE OVERMOLDING.
10. ORIENTATION OF END 1 AND END 2 MAY VARY.
11. PARTS TO BE BUILT & INSPECTED TO IPC-A-620 CLASS 2.

c:\enterprise\aut\DWG\MISC\MKTG\ACP-12-XX-X-XX.XX-X-XX-O-X-MKT.SLDDRW

UNLESS OTHERWISE SPECIFIED,
DIMENSIONS ARE IN MILLIMETERS.
TOLERANCES ARE:
DECIMALS ANGLES
X.X: ±0.3 [.01] 2°
X.XX: ±0.13 [.005]
X.XXX: ±0.051 [.0020]

PROPRIETARY NOTE

THIS DOCUMENT CONTAINS INFORMATION CONFIDENTIAL AND PROPRIETARY TO SAMTEC, INC. AND SHALL NOT BE REPRODUCED OR TRANSFERRED TO OTHER DOCUMENTS OR DISCLOSED TO OTHERS OR USED FOR ANY PURPOSE OTHER THAN THAT WHICH IT WAS OBTAINED WITHOUT THE EXPRESSED WRITTEN CONSENT OF SAMTEC, INC.

samtec

520 PARK EAST BLVD, NEW ALBANY, IN 47150
PHONE: 812-944-6733 FAX: 812-948-5047
e-Mail: info@SAMTEC.com code 53322

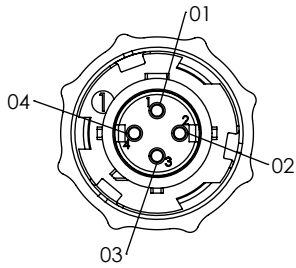
MATERIAL: DO NOT SCALE DRAWING SHEET SCALE: 1:1
SHELL/LOCKING SLEEVE: NYLON, COLOR: BLACK
INSULATOR: PBT, COLOR: BLACK
OVERMOLD: MD-NYL-ZY-70G13-BK
PREMOLD: MD-NYL-MA-OM646-BK
TERMINALS: BRASS
CONTACTS: BRASS/BeCu
MAX FLASH ALLOWED: 0.05 [.002]
MAX GATE VESTIGE: 0.05 [.002]

DESCRIPTION:
ACCLIMATE CIRC. CABLE ASSEMBLY
DWG. NO.
ACP-12-XX-X-XX.XX-X-XX-O-X
BY: D.SCHMELZ 09/17/2010 SHEET 1 OF 5

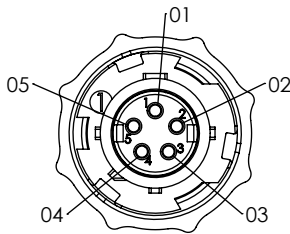
-T END OPTIONS

-S END OPTIONS

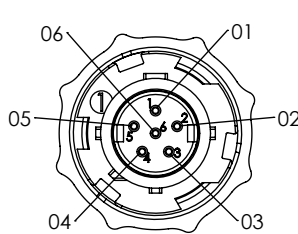
-01: 4 POS
Ø T.O TERMINALS



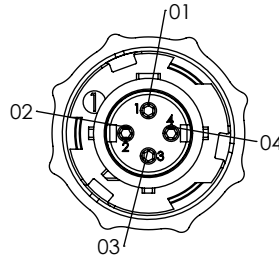
-02: 5 POS
Ø T.O TERMINALS



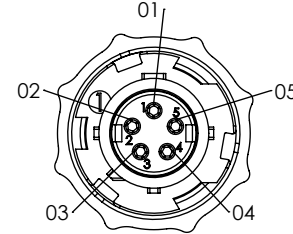
-03: 6 POS
Ø 0.5 TERMINALS



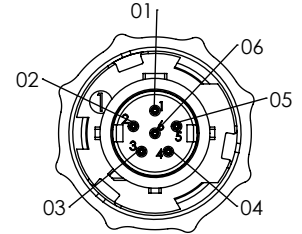
-01: 4 POS
Ø 1.0 SOCKET



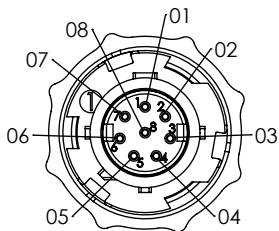
-02: 5 POS
Ø 1.0 SOCKET



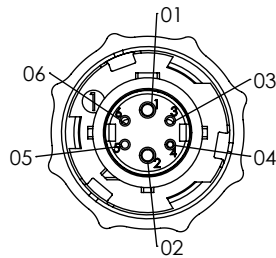
-03: 6 POS
Ø 0.5 SOCKET



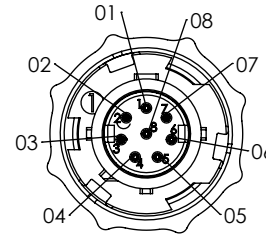
-04: 8 POS
Ø 0.5 TERMINALS



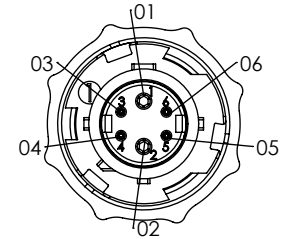
-05: 6 POS COMBO
2x Ø 1.0 TERMINALS
4x Ø 0.5 TERMINALS



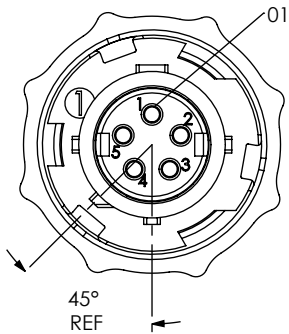
-04: 8 POS
Ø 0.5 SOCKET



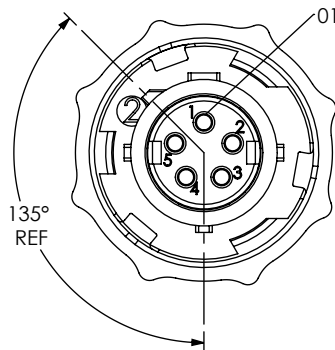
-05: 6 POS COMBO
2x Ø 1.0 SOCKET
4x Ø 0.5 SOCKET



-1
ORANGE KEY RING

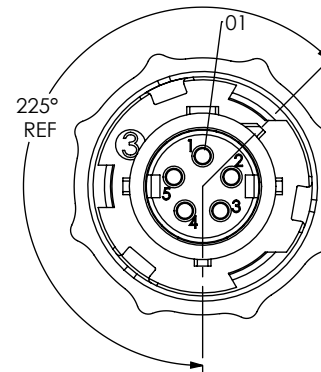


-2
GREEN KEY RING

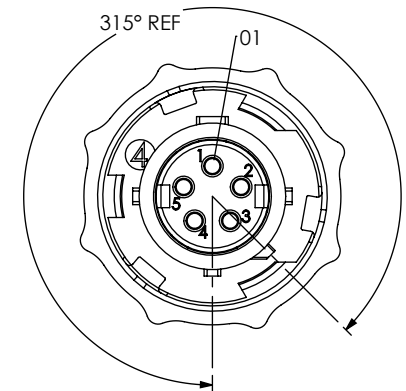


KEYING FEATURE
(SEE NOTE 5)

-3
BLUE KEY RING

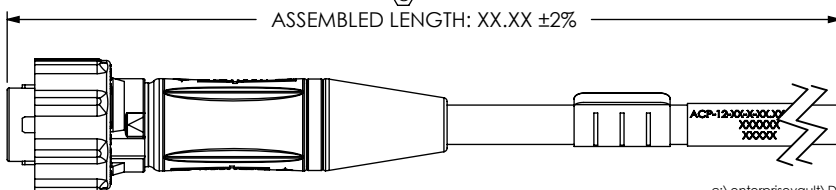


-4
YELLOW KEY RING



-BC END OPTION
ACP-12-0T-X-XX.XX-T-BC-O-T SHOWN

ASSEMBLED LENGTH: XX.XX ±2%



c:\enterprise\vault\DWG\MISC\MKTG\ACP-12-XX-X-XX.XX-X-XX-O-X-MKT.SLDDRW

PROPRIETARY NOTE

THIS DOCUMENT CONTAINS INFORMATION CONFIDENTIAL AND PROPRIETARY TO SAMTEC, INC. AND SHALL NOT BE REPRODUCED OR TRANSFERRED TO OTHER DOCUMENTS OR DISCLOSED TO OTHERS OR USED FOR ANY PURPOSE OTHER THAN THAT WHICH IT WAS OBTAINED WITHOUT THE EXPRESSED WRITTEN CONSENT OF SAMTEC, INC.

DO NOT SCALE DRAWING

SHEET SCALE: 1.5:1



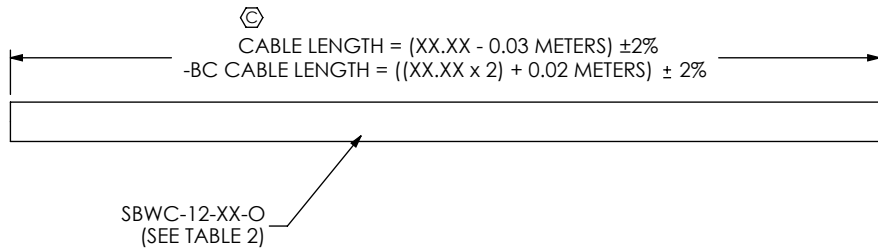
520 PARK EAST BLVD, NEW ALBANY, IN 47150
PHONE: 812-944-6733 FAX: 812-948-5047
e-Mail info@SAMTEC.com code 55322

DESCRIPTION: ACCLIMATE CIRC. CABLE ASSEMBLY

DWG. NO. ACP-12-XX-X-XX.XX-X-XX-O-X

BY: D.SHMELZ 09/17/2010 SHEET 2 OF 5

IN-PROCESS 1
CUT SWWC-12-XX-O TO LENGTH



IN-PROCESS 2
FEED SBWC-12-XX-O BUNDLED CABLE THROUGH
ACCR-12-X, ACCLS-12-P, & ACCOS-12-P-X

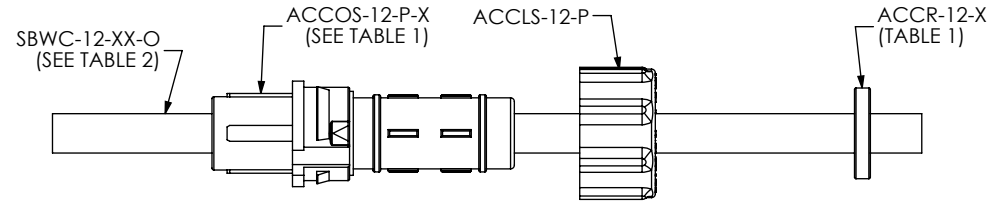


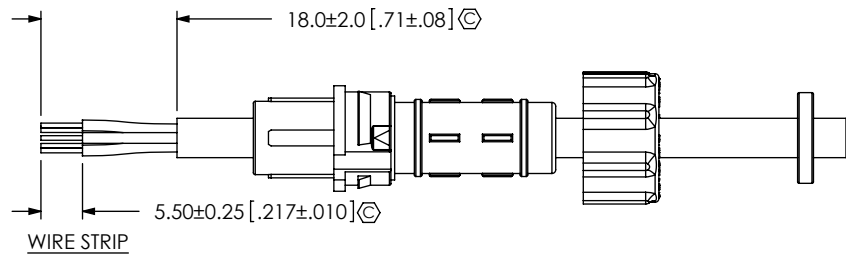
TABLE 1

KEYING FEATURE	SHELL PART #	ACCR-12-X
-1	ACCOS-12-P-1	ACCR-12-1
-2	ACCOS-12-P-2	ACCR-12-2
-3	ACCOS-12-P-3	ACCR-12-3
-4	ACCOS-12-P-4	ACCR-12-4

TABLE 2

LEAD STYLES	SBWC PART #
-01	SBWC-12-01-O
-02	SBWC-12-02-O
-03	SBWC-12-03-O
-04	SBWC-12-04-O
-05	SBWC-12-05-O

IN-PROCESS 3
STRIP OUTER JACKET & INNER WIRES
TO DIMENSIONS SHOWN



IN-PROCESS 4
TERMINATE WIRES TO TERMINALS/SOCKETS
(SEE NOTE 6)

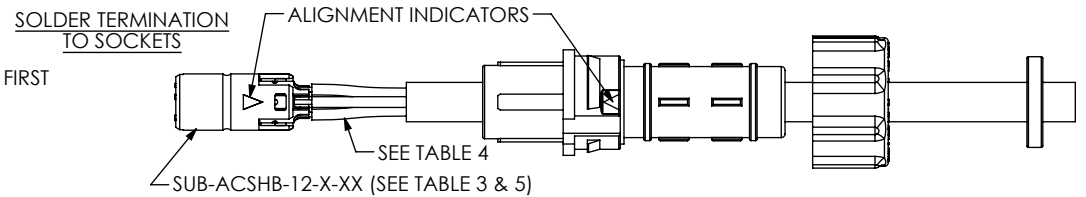
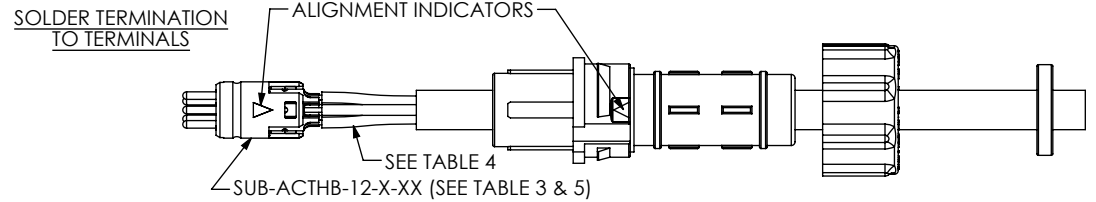


TABLE 5

PLATING	SUB-ACXHB-12-X-XX
-G	SUB-ACXHB-12-G-XX
-H	SUB-ACXHB-12-H-XX

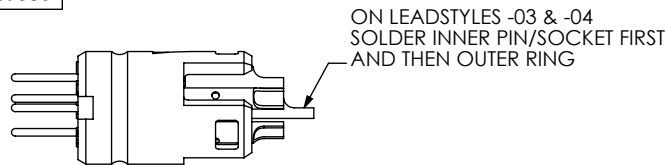


TABLE 3

LEAD STYLE	END1/END 2	SUB-ACXHB-12-X-XX
-01	-T	SUB-ACTHB-12-X-01
-02	-T	SUB-ACTHB-12-X-02
-03	-T	SUB-ACTHB-12-X-03
-04	-T	SUB-ACTHB-12-X-04
-05	-T	SUB-ACTHB-12-X-05
-01	-S	SUB-ACSHB-12-X-01
-02	-S	SUB-ACSHB-12-X-02
-03	-S	SUB-ACSHB-12-X-03
-04	-S	SUB-ACSHB-12-X-04
-05	-S	SUB-ACSHB-12-X-05

TABLE 4

WIRE COLOR					
POSITION	LEAD STYLE				
	-01	-02	-03	-04	-05
01	BROWN	BROWN	BROWN	BROWN	BROWN
02	RED	RED	RED	RED	RED
03	ORANGE	ORANGE	ORANGE	ORANGE	ORANGE
04	YELLOW	YELLOW	YELLOW	YELLOW	YELLOW
05		GREEN	GREEN	GREEN	GREEN
06			BLUE	BLUE	BLUE
07				VIOLET	
08				GRAY	

PROPRIETARY NOTE
THIS DOCUMENT CONTAINS INFORMATION CONFIDENTIAL AND PROPRIETARY TO SAMTEC, INC. AND SHALL NOT BE REPRODUCED OR TRANSFERRED TO OTHER DOCUMENTS OR DISCLOSED TO OTHERS OR USED FOR ANY PURPOSE OTHER THAN THAT WHICH IT WAS OBTAINED WITHOUT THE EXPRESSED WRITTEN CONSENT OF SAMTEC, INC.

DO NOT SCALE DRAWING

SHEET SCALE: 1:1



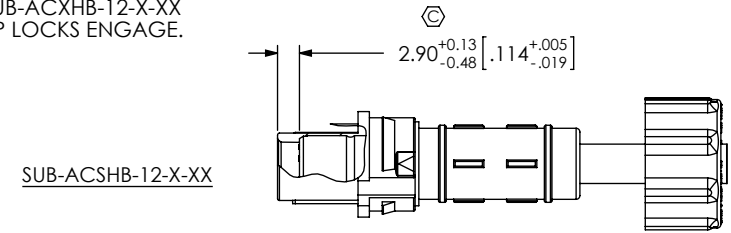
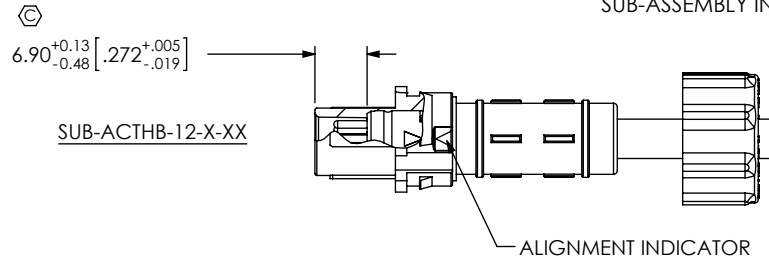
520 PARK EAST BLVD, NEW ALBANY, IN 47150
PHONE: 812-944-6733 FAX: 812-948-5047
e-Mail info@SAMTEC.com code 55322

DESCRIPTION:
ACCLIMATE CIRC. CABLE ASSEMBLY

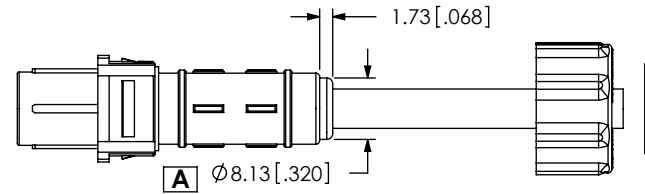
DWG. NO.
ACP-12-XX-X-XX.XX-X-XX-O-X

BY: D.SCHMELZ 09/17/2010 SHEET 3 OF 5

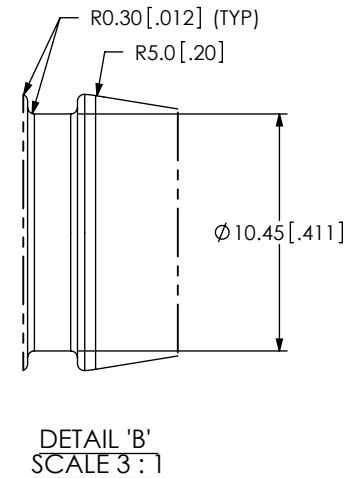
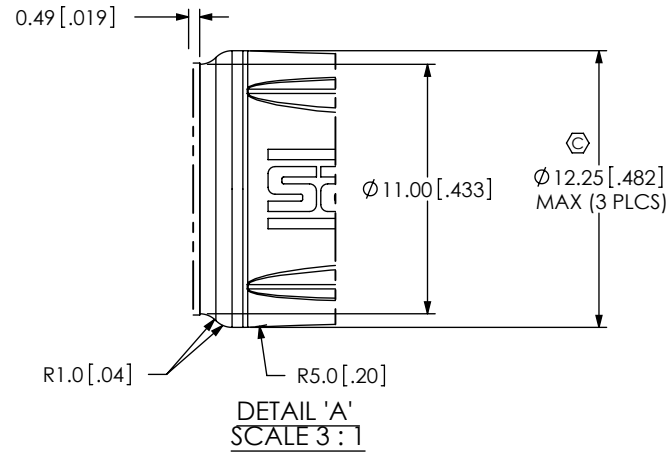
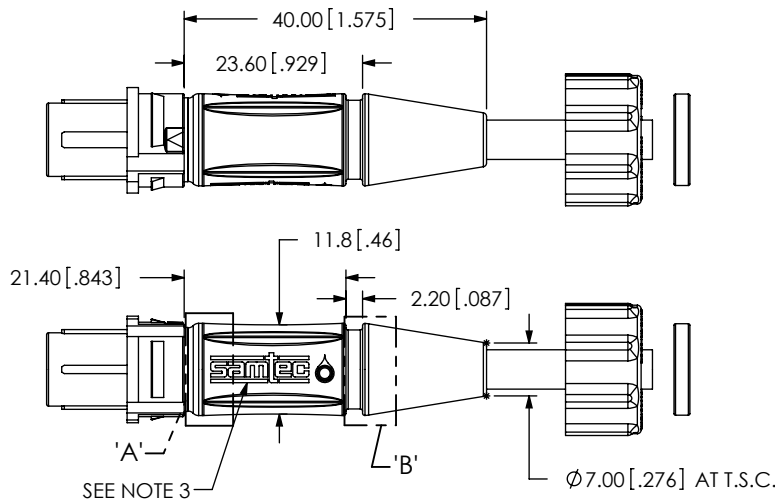
IN-PROCESS 5
 WHILE MAKING SURE ALIGNMENT ARROWS LINE UP TO AID POLARIZATION BEAM ENGAGEMENT, INSERT SUB-ACXHB-12-X-XX SUB-ASSEMBLY INTO ACCOS-12-P-X UNTIL SNAP LOCKS ENGAGE. (SEE NOTE 9)



IN-PROCESS 6
 PREMOLD



IN-PROCESS 7
 APPLY OVERMOLD GRIP



PROPRIETARY NOTE
 THIS DOCUMENT CONTAINS INFORMATION CONFIDENTIAL AND PROPRIETARY TO SAMTEC, INC. AND SHALL NOT BE REPRODUCED OR TRANSFERRED TO OTHER DOCUMENTS OR DISCLOSED TO OTHERS OR USED FOR ANY PURPOSE OTHER THAN THAT WHICH IT WAS OBTAINED WITHOUT THE EXPRESSED WRITTEN CONSENT OF SAMTEC, INC.

DO NOT SCALE DRAWING
 SHEET SCALE: 1:1



520 PARK EAST BLVD, NEW ALBANY, IN 47150
 PHONE: 812-944-6733 FAX: 812-948-5047
 e-Mail info@SAMTEC.com code 55322

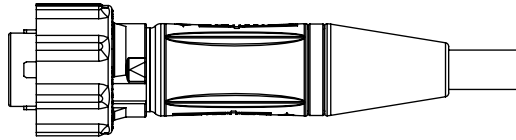
DESCRIPTION:
 ACCLIMATE CIRC. CABLE ASSEMBLY

DWG. NO.
 ACP-12-XX-X-XX.XX-X-XX-O-X

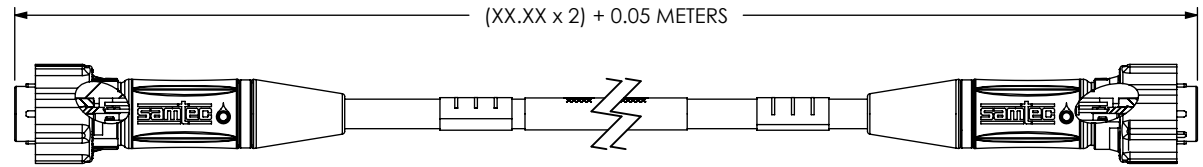
BY: D.SHMELZ 09/17/2010 SHEET 4 OF 5

REVISION A

IN-PROCESS 8
 PUSH ACCLS-12-L OVER OVERMOLD
 AND ACCOS-12-P-X UNTIL IT SNAPS.
 STRETCH ACCR-12-X OVER OVERMOLD
 UNTIL IT SEATS IN GROOVE.



IN-PROCESS 9
 (-BC END OPTION ONLY)
 BUILD DOUBLE-ENDED INITIALLY FOR E-TEST,
 APPLY LABEL-ET & HDRL-11 TO BOTH ENDS,
 AND CUT CABLE IN HALF



PROPRIETARY NOTE
 THIS DOCUMENT CONTAINS INFORMATION
 CONFIDENTIAL AND PROPRIETARY TO
 SAMTEC, INC. AND SHALL NOT BE REPRODUCED
 OR TRANSFERRED TO OTHER DOCUMENTS OR
 DISCLOSED TO OTHERS OR USED FOR ANY
 PURPOSE OTHER THAN THAT WHICH IT WAS
 OBTAINED WITHOUT THE EXPRESSED WRITTEN
 CONSENT OF SAMTEC, INC.

DO NOT SCALE DRAWING

SHEET SCALE: 1:1



520 PARK EAST BLVD, NEW ALBANY, IN 47150
 PHONE: 812-944-6733 FAX: 812-948-5047
 e-Mail info@SAMTEC.com code 55322

DESCRIPTION:
 ACCLIMATE CIRC. CABLE ASSEMBLY

DWG. NO.
 ACP-12-XX-X-XX.XX-X-XX-O-X

BY: D.SCHMELZ 09/17/2010 SHEET 5 OF 5