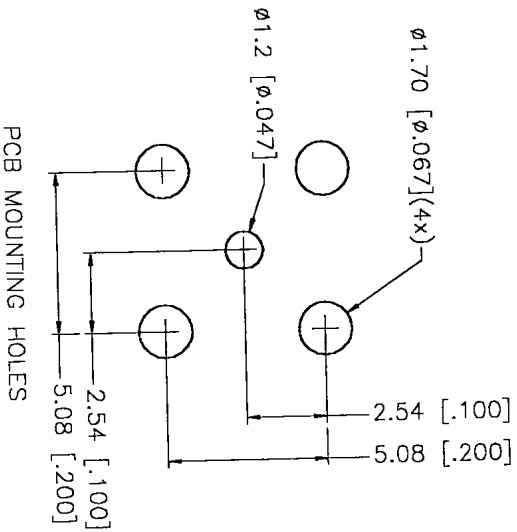
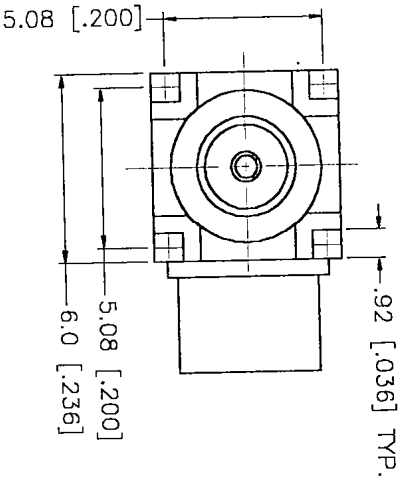
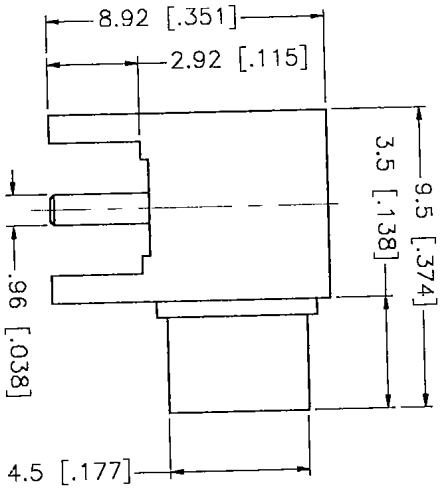


REV.	DATE	DESCRIPTION
NC	02/12/98	INITIAL RELEASE



DESCRIPTION	MATERIAL	FINISH	UNLESS OTHERWISE SPECIFIED DIMENSIONS ARE IN MILLIMETERS FOR CUSTOMER REFERENCE ONLY	APPROVALS	DATE	TITLE
1 BODY	BRASS	GOLD		DRAWN G.R.S.	02/12/98	<b>Connector Corporation</b> MCX R/A P.C. BOARD RECEPTACLE (2.92 LEGS - GOLD)
2 INSULATOR	TEFLON	NATURAL		CHECKED		
3 CONTACT PIN	BER. COPPER	GOLD		ISSUED		
4			UNLESS OTHERWISE SPECIFIED TOLERANCES FOR MILLIMETERS ARE: 0.5-6 = ± 0.2 6-30 = ± 0.4 30-120 = ± 0.6 120-315 = ± 1 315-1000 = ± 1.6 1000-2000 = ± 2.4			
5						
6						
7						
8			DO NOT SCALE DRAWING			



Connector Corporation  
 MCX R/A P.C. BOARD RECEPTACLE  
 (2.92 LEGS - GOLD)

SIZE	FSCM NO.	DWG. NO.	REV.
A	99001	252141.DWG	NC
SCALE	NA	PART NO.	SHEET
		252141	1 OF 1