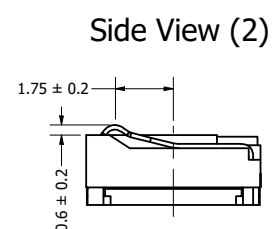
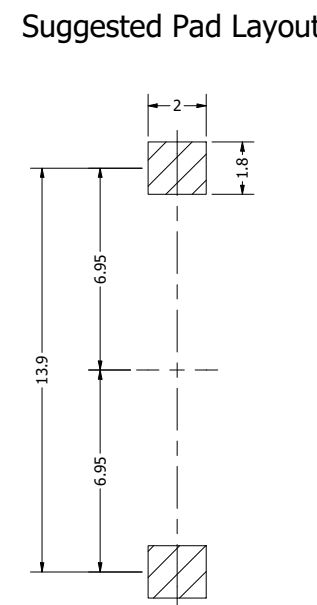
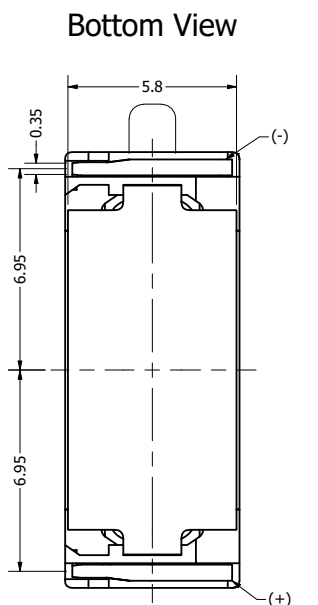
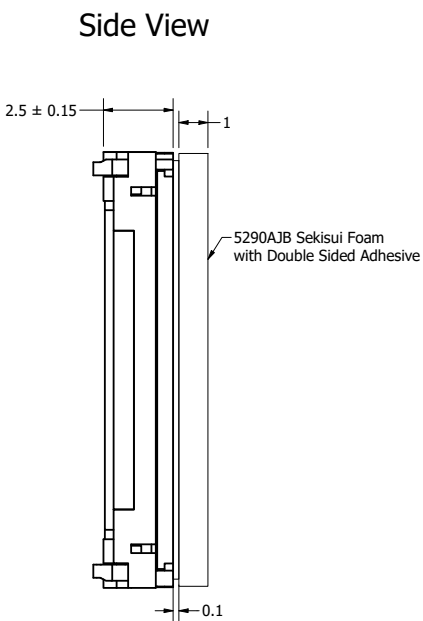
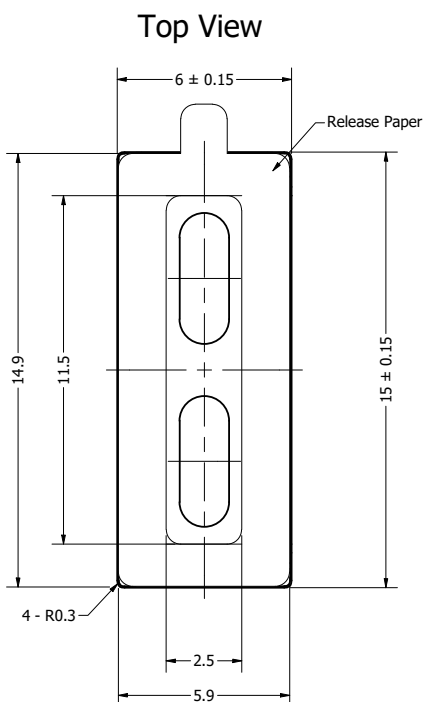


Part Number:	SW150908-1	
Drawn:	CJ	7/9/2020
Checked:	P.D.	7/9/2020
Approved:	J.S.	7/9/2020
Description:	Waterproof Speaker	
This document contains data proprietary to DB Unlimited. Any use or reproduction, in any form, without prior written permission of DB Unlimited is prohibited. All terms and conditions can be found at www.dbunlimitedco.com		



Items	Specifications	Conditions
Sound Pressure Level	86	dB (@ 0.5W/10cm), In 2cc chamber
Resonant Frequency	1,000	Hz, In 2cc chamber
Frequency Range	1,000 ~ 20,000	Hz, In 2cc chamber
Nominal Power	0.5	W, In 2cc chamber
Max. Power	0.7	W, In 2cc chamber
Impedance	8	Ω
Cone Material	PEEK	
Mount Type	Flush Mount	
IP Rating	IPX8	
Storage Temperature	-40 ~ +80	°C
Operating Temperature	-20 ~ +70	°C

REVISION HISTORY			
REV	DESCRIPTION	DATE	APPROVED
	Released from Engineering	7/9/2020	J.S.

NOTES			
1) All dimensions are in mm unless otherwise noted			
2) All tolerances are ± 0.5 mm unless otherwise noted			
3) All parts meet RoHS			
4) Subject to change or redrawn without notice			