

# VFC-PT/D15SUB/M - Interface module



1278800

<https://www.phoenixcontact.com/us/products/1278800>

Please be informed that the data shown in this PDF document is generated from our online catalog. Please find the complete data in the user documentation. Our general terms of use for downloads are valid.

VARIOFACE Front Connect, 1:1 D-SUB termination board with Push-in front connections and D-SUB pin strip, number of positions: 15, overall width: 19 mm



## Your advantages

- Fast, clear, and error-free wiring, thanks to Push-in terminal blocks with front connection technology
- Up to 60 % less space required in the control cabinet compared to conventional solutions due to the innovative design with an installation width of 19 mm
- Plug and Play connection to the remote IO and field level with the comprehensive system cabling range from Phoenix Contact
- Optimum support for your distributed I/O devices, thanks to high flexibility and the slim design
- Optically and haptically compatible with modern remote IO systems

## Commercial data

Item number	1278800
Packing unit	1 pc
Minimum order quantity	1 pc
Sales key	C422
Product key	CK2224
GTIN	4063151475758
Weight per piece (including packing)	94.233 g
Weight per piece (excluding packing)	91 g
Customs tariff number	85366990
Country of origin	DE

# VFC-PT/D15SUB/M - Interface module



1278800

<https://www.phoenixcontact.com/us/products/1278800>

## Technical data

### Product properties

Product type	Interface module
Product family	VARIOFACE Front Connect

### Insulation characteristics

Insulation	Functional insulation
------------	-----------------------

### Insulation characteristics: Air clearances and creepage distances

Insulation	Functional insulation
Overvoltage category	II
Pollution degree	2

### Electrical properties

Max. permissible operating voltage	30 V AC
	60 V DC
Max. permissible current	2 A (per branch)

### Air clearances and creepage distances

Rated insulation voltage	63 V
Rated surge voltage	0.8 kV (1.2/50 $\mu$ s)

### Connection data

#### Controller level

Connection in acc. with standard	IEC 60807-2
	DIN 41652
Connection method	D-SUB pin strip
Number of connections	1
Number of positions	15

#### Field level

Connection method	Push-in connection
Stripping length	10 mm
Number of positions	16
Conductor cross section rigid	0.2 mm <sup>2</sup> ... 1.5 mm <sup>2</sup>
Conductor cross section flexible	0.2 mm <sup>2</sup> ... 2.5 mm <sup>2</sup>
	0.25 mm <sup>2</sup> ... 1.5 mm <sup>2</sup> (Ferrules without plastic sleeve)
	0.25 mm <sup>2</sup> ... 1.5 mm <sup>2</sup> (Ferrule with plastic sleeve)
Conductor cross section AWG	24 ... 16

### Dimensions

Width	18.9 mm
Height	127.22274 mm
Depth	46.85 mm

# VFC-PT/D15SUB/M - Interface module



1278800

<https://www.phoenixcontact.com/us/products/1278800>

Width	18.9 mm
Height	127 mm
Depth	46.85 mm

## Material specifications

Flammability rating according to UL 94	V0
--	----

## Environmental and real-life conditions

### Ambient conditions

Degree of protection	IP20
Degree of protection (Installation location)	IP54 (Installation location)
Ambient temperature (operation)	-40 °C ... 70 °C (≤ 2000 m) -40 °C ... 63 °C (2001 m - 3000 m)
Altitude	≤ 3000 m

## Approvals

### UL, USA/Canada

Identification	UL 61010-2-201
----------------	----------------

### CSA, USA/Canada

Identification	CSA C22.2 NO. 61010-2-201
----------------	---------------------------

## Standards and regulations

### Air clearances and creepage distances

Standards/regulations	DIN EN 60664-1
-----------------------	----------------

## Mounting

Mounting type	DIN rail mounting
Mounting position	any

## Notes

General	For proper use, the specifications of the installation directive (see Downloads) must be observed.
---------	--

# VFC-PT/D15SUB/M - Interface module

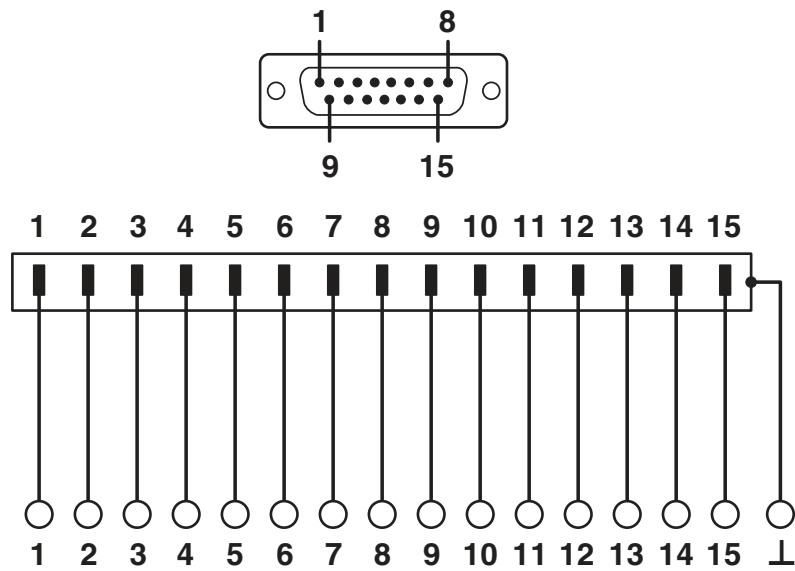
1278800

<https://www.phoenixcontact.com/us/products/1278800>



## Drawings

Circuit diagram



# VFC-PT/D15SUB/M - Interface module



1278800

<https://www.phoenixcontact.com/us/products/1278800>

## Approvals

To download certificates, visit the product detail page: <https://www.phoenixcontact.com/us/products/1278800>



**UL Listed**

Approval ID: FILE E 238705



**cUL Listed**

Approval ID: FILE E 238705

**cULus Listed**

# VFC-PT/D15SUB/M - Interface module



1278800

<https://www.phoenixcontact.com/us/products/1278800>

## Classifications

### ECLASS

ECLASS-11.0	27141152
ECLASS-12.0	27141152
ECLASS-13.0	27141152

### ETIM

ETIM 8.0	EC002780
----------	----------

### UNSPSC

UNSPSC 21.0	39121400
-------------	----------

# VFC-PT/D15SUB/M - Interface module



1278800

<https://www.phoenixcontact.com/us/products/1278800>

## Environmental product compliance

China RoHS	Environmentally friendly use period: unlimited = EFUP-e
	No hazardous substances above threshold values

# VFC-PT/D15SUB/M - Interface module



1278800

<https://www.phoenixcontact.com/us/products/1278800>

## Accessories

### CABLE D-SUB-S/.../.../... - Cable

2302340

<https://www.phoenixcontact.com/us/products/2302340>



Shielded round cable, assembled with one D-SUB female and pin strip (9-, 15-, 25-, 37-, or 50-pos.), variable cable length

---

### CABLE D-SUB-B-B-S/.../.../... - Cable

2302421

<https://www.phoenixcontact.com/us/products/2302421>



Shielded round cable, assembled with two D-SUB female strips (9-, 15-, 25-, 37-, or 50-pos.), variable cable length



# VFC-PT/D15SUB/M - Interface module



1278800

<https://www.phoenixcontact.com/us/products/1278800>

## SK 2,8 WH:REEL - Marker strip

0805205

<https://www.phoenixcontact.com/us/products/0805205>



Marker strip, Roll, white, unlabeled, can be labeled with: THERMOMARK E.300 (D)/600 (D), THERMOMARK ROLL 2.0, THERMOMARK ROLL, THERMOMARK ROLL X1, THERMOMARK ROLLMASTER 300/600, THERMOMARK X1.2, mounting type: adhesive, lettering field size: continuous x 2.8 mm, Number of individual labels: 480000

---

## CABLE-D15SUB/B/S/ 50/KONFEK/S - Cable

2302052

<https://www.phoenixcontact.com/us/products/2302052>



Assembled shielded round cable; connection 1: D-SUB socket strip (1x 15-position); connection 2: D-SUB pin strip (1x 15-position); cable length: 0.5 m

# VFC-PT/D15SUB/M - Interface module



1278800

<https://www.phoenixcontact.com/us/products/1278800>

## CABLE-D15SUB/B/S/100/KONFEK/S - Cable

2302065

<https://www.phoenixcontact.com/us/products/2302065>



Assembled shielded round cable; connection 1: D-SUB socket strip (1x 15-position); connection 2: D-SUB pin strip (1x 15-position); cable length: 1 m

---

## CABLE-D15SUB/B/S/150/KONFEK/S - Cable

2302078

<https://www.phoenixcontact.com/us/products/2302078>



Assembled shielded round cable; connection 1: D-SUB socket strip (1x 15-position); connection 2: D-SUB pin strip (1x 15-position); cable length: 1.5 m

# VFC-PT/D15SUB/M - Interface module



1278800

<https://www.phoenixcontact.com/us/products/1278800>

## CABLE-D15SUB/B/S/200/KONFEK/S - Cable

2302081

<https://www.phoenixcontact.com/us/products/2302081>



Assembled shielded round cable; connection 1: D-SUB socket strip (1x 15-position); connection 2: D-SUB pin strip (1x 15-position); cable length: 2 m

---

## CABLE-D15SUB/B/S/300/KONFEK/S - Cable

2302094

<https://www.phoenixcontact.com/us/products/2302094>



Assembled shielded round cable; connection 1: D-SUB socket strip (1x 15-position); connection 2: D-SUB pin strip (1x 15-position); cable length: 3 m

# VFC-PT/D15SUB/M - Interface module



1278800

<https://www.phoenixcontact.com/us/products/1278800>

## CABLE-D15SUB/B/S/400/KONFEK/S - Cable

2302104

<https://www.phoenixcontact.com/us/products/2302104>



Assembled shielded round cable; connection 1: D-SUB socket strip (1x 15-position); connection 2: D-SUB pin strip (1x 15-position); cable length: 4 m

---

## CABLE-D15SUB/B/S/600/KONFEK/S - Cable

2302117

<https://www.phoenixcontact.com/us/products/2302117>



Assembled shielded round cable; connection 1: D-SUB socket strip (1x 15-position); connection 2: D-SUB pin strip (1x 15-position); cable length: 6 m

# VFC-PT/D15SUB/M - Interface module



1278800

<https://www.phoenixcontact.com/us/products/1278800>

## CABLE-D15SUB/B/S/HF/S/ 1,0M - Cable

1066600

<https://www.phoenixcontact.com/us/products/1066600>



Assembled, shielded, halogen-free round cable; connection 1: D-SUB socket strip (1x 15-position); connection 2: D-SUB pin strip (1x 15-position); cable length: 1 m

---

## CABLE-D15SUB/B/S/HF/S/ 2,0M - Cable

1066602

<https://www.phoenixcontact.com/us/products/1066602>



Assembled, shielded, halogen-free round cable; connection 1: D-SUB socket strip (1x 15-position); connection 2: D-SUB pin strip (1x 15-position); cable length: 2 m

# VFC-PT/D15SUB/M - Interface module

1278800

<https://www.phoenixcontact.com/us/products/1278800>

## CABLE-D15SUB/B/S/HF/S/ 3,0M - Cable

1066603

<https://www.phoenixcontact.com/us/products/1066603>



Assembled, shielded, halogen-free round cable; connection 1: D-SUB socket strip (1x 15-position); connection 2: D-SUB pin strip (1x 15-position); cable length: 3 m

---

## CABLE-D15SUB-B-S-HF-S/... - Cable

1075565

<https://www.phoenixcontact.com/us/products/1075565>



Assembled, shielded, halogen-free round cable; connection 1: D-SUB socket strip (1x 15-position); connection 2: D-SUB pin strip (1x 15-position); cable length: variable

# VFC-PT/D15SUB/M - Interface module

1278800

<https://www.phoenixcontact.com/us/products/1278800>



## CABLE-D15SUB/B/B/100/KONFEK/S - Cable

2305444

<https://www.phoenixcontact.com/us/products/2305444>



Assembled shielded round cable; connection 1: D-SUB socket strip (1x 15-position); connection 2: D-SUB socket strip (1x 15-position); cable length: 1 m

---

## CABLE-D15SUB/B/B/200/KONFEK/S - Cable

2305457

<https://www.phoenixcontact.com/us/products/2305457>



Assembled shielded round cable; connection 1: D-SUB socket strip (1x 15-position); connection 2: D-SUB socket strip (1x 15-position); cable length: 2 m

# VFC-PT/D15SUB/M - Interface module

1278800

<https://www.phoenixcontact.com/us/products/1278800>



## CABLE-D15SUB/B/B/300/KONFEK/S - Cable

2305460

<https://www.phoenixcontact.com/us/products/2305460>



Assembled shielded round cable; connection 1: D-SUB socket strip (1x 15-position); connection 2: D-SUB socket strip (1x 15-position); cable length: 3 m

---

## CABLE-D15SUB/B/B/HF/S/ 1,0M - Cable

1066597

<https://www.phoenixcontact.com/us/products/1066597>



Assembled, shielded, halogen-free round cable; connection 1: D-SUB socket strip (1x 15-position); connection 2: D-SUB socket strip (1x 15-position); cable length: 1 m



# VFC-PT/D15SUB/M - Interface module



1278800

<https://www.phoenixcontact.com/us/products/1278800>

## CABLE-D15SUB/B/B/HF/S/ 2,0M - Cable

1066598

<https://www.phoenixcontact.com/us/products/1066598>



Assembled, shielded, halogen-free round cable; connection 1: D-SUB socket strip (1x 15-position); connection 2: D-SUB socket strip (1x 15-position); cable length: 2 m

---

## CABLE-D15SUB/B/B/HF/S/ 3,0M - Cable

1066599

<https://www.phoenixcontact.com/us/products/1066599>



Assembled, shielded, halogen-free round cable; connection 1: D-SUB socket strip (1x 15-position); connection 2: D-SUB socket strip (1x 15-position); cable length: 3 m

# VFC-PT/D15SUB/M - Interface module

1278800

<https://www.phoenixcontact.com/us/products/1278800>

## CABLE-D15SUB-B-B-HF-S/... - Cable

1075566

<https://www.phoenixcontact.com/us/products/1075566>



Assembled, shielded, halogen-free round cable; connection 1: D-SUB socket strip (1x 15-position); connection 2: D-SUB socket strip (1x 15-position); cable length: variable

---

## CABLE-D-15SUB/F/OE/0,25/S/0,5M - Cable

2926085

<https://www.phoenixcontact.com/us/products/2926085>



Assembled shielded round cable; connection 1: Single wires (15-position) (The wires are marked and fitted with ferrules. The braided shield is routed to a separate cable end.); connection 2: D-SUB socket strip (1x 15-position); cable length: 0.5 m

# VFC-PT/D15SUB/M - Interface module

1278800

<https://www.phoenixcontact.com/us/products/1278800>

## CABLE-D-15SUB/F/OE/0,25/S/1,0M - Cable

2926098

<https://www.phoenixcontact.com/us/products/2926098>



Assembled shielded round cable; connection 1: Single wires (15-position) (The wires are marked and fitted with ferrules. The braided shield is routed to a separate cable end.); connection 2: D-SUB socket strip (1x 15-position); cable length: 1 m

---

## CABLE-D-15SUB/F/OE/0,25/S/1,5M - Cable

2926108

<https://www.phoenixcontact.com/us/products/2926108>



Assembled shielded round cable; connection 1: Single wires (15-position) (The wires are marked and fitted with ferrules. The braided shield is routed to a separate cable end.); connection 2: D-SUB socket strip (1x 15-position); cable length: 1.5 m

# VFC-PT/D15SUB/M - Interface module



1278800

<https://www.phoenixcontact.com/us/products/1278800>

## CABLE-D-15SUB/F/OE/0,25/S/2,0M - Cable

2926111

<https://www.phoenixcontact.com/us/products/2926111>



Assembled shielded round cable; connection 1: Single wires (15-position) (The wires are marked and fitted with ferrules. The braided shield is routed to a separate cable end.); connection 2: D-SUB socket strip (1x 15-position); cable length: 2 m

---

## CABLE-D-15SUB/F/OE/0,25/S/3,0M - Cable

2926124

<https://www.phoenixcontact.com/us/products/2926124>



Assembled shielded round cable; connection 1: Single wires (15-position) (The wires are marked and fitted with ferrules. The braided shield is routed to a separate cable end.); connection 2: D-SUB socket strip (1x 15-position); cable length: 3 m

# VFC-PT/D15SUB/M - Interface module

1278800

<https://www.phoenixcontact.com/us/products/1278800>

## CABLE-D-15SUB/F/OE/0,25/S/4,0M - Cable

2926137

<https://www.phoenixcontact.com/us/products/2926137>



Assembled shielded round cable; connection 1: Single wires (15-position) (The wires are marked and fitted with ferrules. The braided shield is routed to a separate cable end.); connection 2: D-SUB socket strip (1x 15-position); cable length: 4 m

---

## CABLE-D-15SUB/F/OE/0,25/S/6,0M - Cable

2926140

<https://www.phoenixcontact.com/us/products/2926140>



Assembled shielded round cable; connection 1: Single wires (15-position) (The wires are marked and fitted with ferrules. The braided shield is routed to a separate cable end.); connection 2: D-SUB socket strip (1x 15-position); cable length: 6 m

# VFC-PT/D15SUB/M - Interface module



1278800

<https://www.phoenixcontact.com/us/products/1278800>

## CABLE-D-15SUB-F-OE-0,25-S/... - Cable

2900905

<https://www.phoenixcontact.com/us/products/2900905>



Assembled shielded round cable; connection 1: Single wires (15-position) (The wires are marked and fitted with ferrules. The braided shield is routed to a separate cable end.); connection 2: D-SUB socket strip (1x 15-position); cable length: variable

---

Phoenix Contact 2023 © - all rights reserved

<https://www.phoenixcontact.com>

Phoenix Contact USA  
586 Fulling Mill Road  
Middletown, PA 17057, United States  
(+717) 944-1300  
[info@phoenixcon.com](mailto:info@phoenixcon.com)