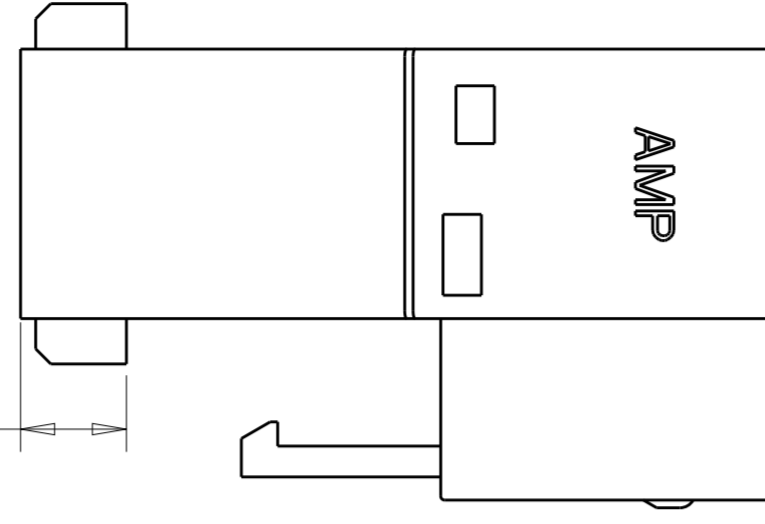
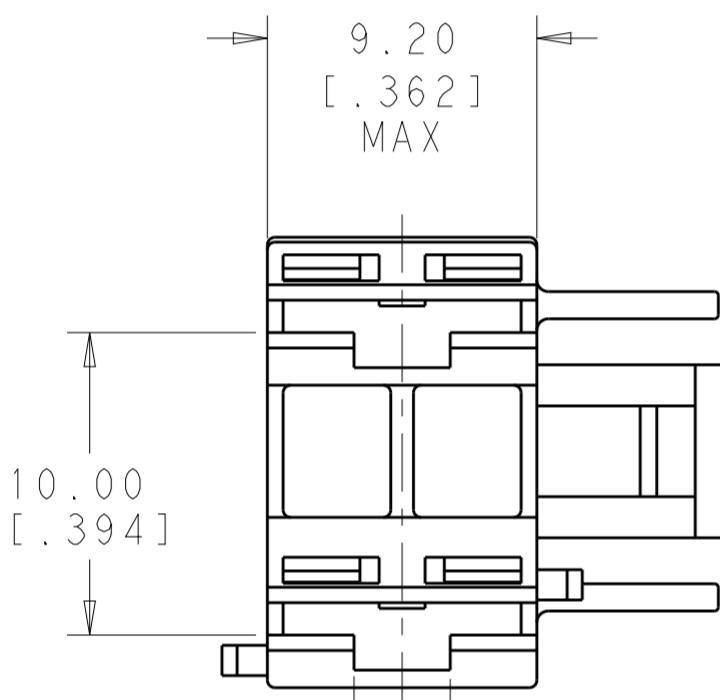


THIS DRAWING IS UNPUBLISHED. RELEASED FOR PUBLICATION 2012
 © COPYRIGHT 2012 BY TE CONNECTIVITY ALL RIGHTS RESERVED.

LOC		DIST		REVISIONS			
P	LTR	DESCRIPTION	DATE	DWN	APVD		
-	-	A1	RELEASED PER ECO-14-001729	05FEB14	JR	MKD	



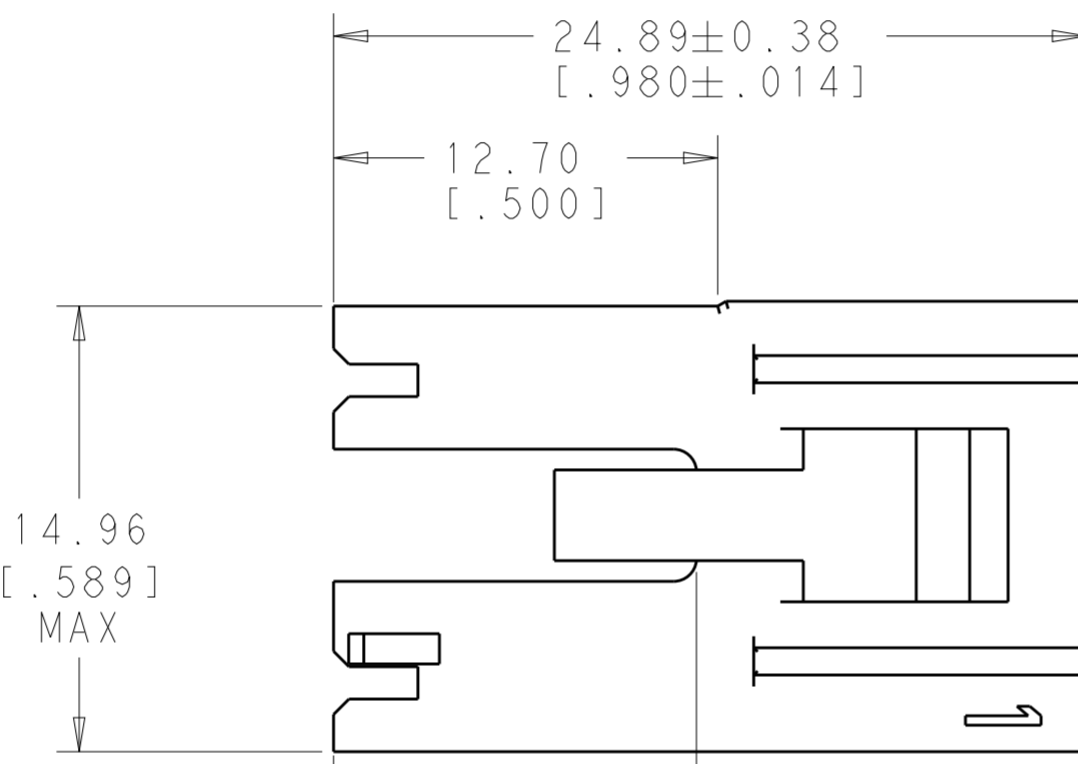
3.50
[.138]



9.20
[.362]
MAX

10.00
[.394]

3.18±0.38
[.125±.014]



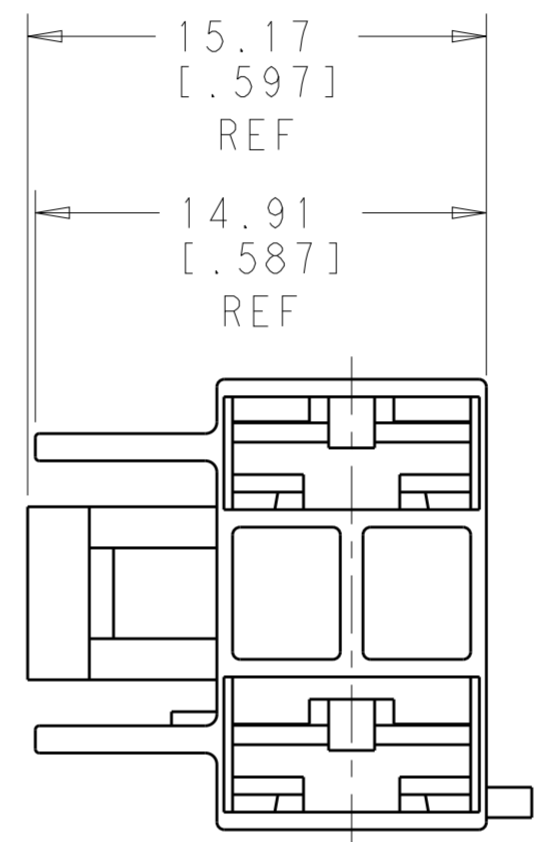
24.89±0.38
[.980±.014]

12.70
[.500]

14.96
[.589]
MAX

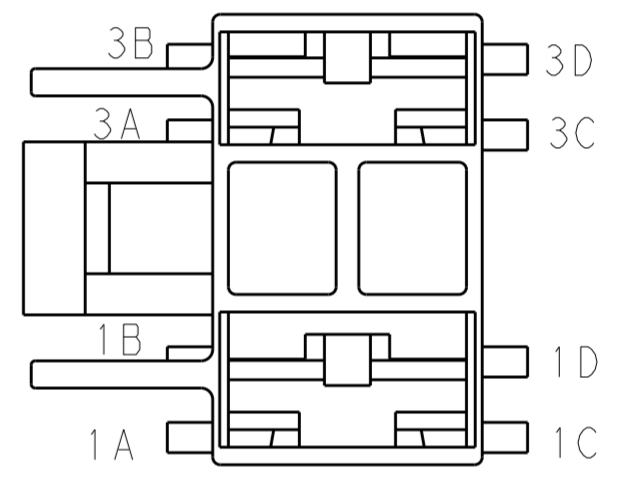
15.12
[.595]
MAX

12.00
[.472]

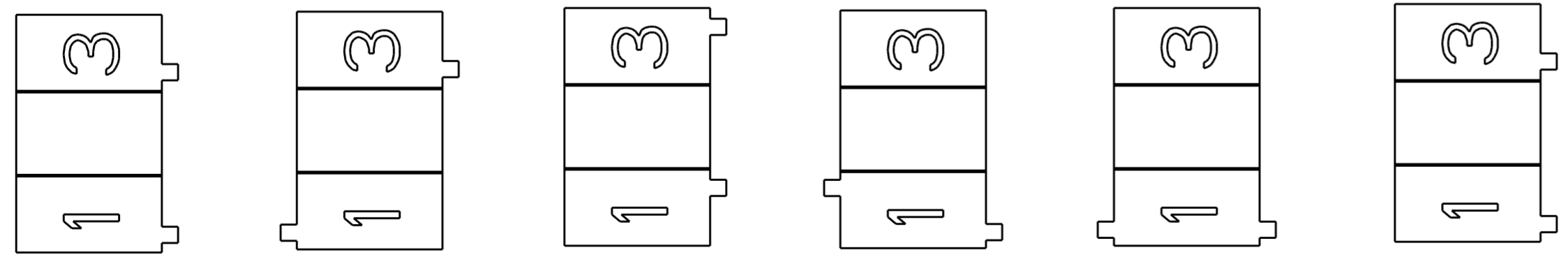


15.17
[.597]
REF

14.91
[.587]
REF



SPECIAL REAR VIEW
 THAT MATES WITH THE
 HEADER VIEWS BELOW
 SHOWING THE
 KEYING & POLARIZATION



1969536-1 1969536-2 1969536-3 1969536-4 1969536-5 1969536-6

HEADER VIEWS

1C, 3C	NONE	GRAY	1969536-6
1C	1A	BLUE	1969536-5
1C	1B	BLACK	1969536-4
1D, 3D	NONE	NATURAL	1969536-3
3C	1A	YELLOW	1969536-2
1C, 3C	NONE	GREEN	1969536-1
KEYING FEATURE	POLARIZATION FEATURE	COLOR	PART NUMBER

THIS DRAWING IS A CONTROLLED DOCUMENT.

DIMENSIONS: mm [INCHES]	TOLERANCES UNLESS OTHERWISE SPECIFIED: 0 PLC ± 1 PLC ± 2 PLC ±0.25 [0.010] 3 PLC ± 4 PLC ± ANGLES ± FINISH	DWN JR RUTH 19 JUN 2012 CHK JEFF HUMMEL 20 JUN 2012 APVD JEFF HUMMEL 20 JUN 2012	TE Connectivity	
MATERIAL NYLON 66	SEE TABLE	PRODUCT SPEC APPLICATION SPEC WEIGHT	NAME HOUSING, RECEPT, POSI-LOCK MK III, 6.35 [0.250] SERIES, 3 POSITION, 2 CIRCUIT SIZE A2 CAGE CODE 00779 DRAWING NO C-1969536 RESTRICTED TO SCALE 3:1 SHEET 1 OF 1 REV A1	

Customer Drawing