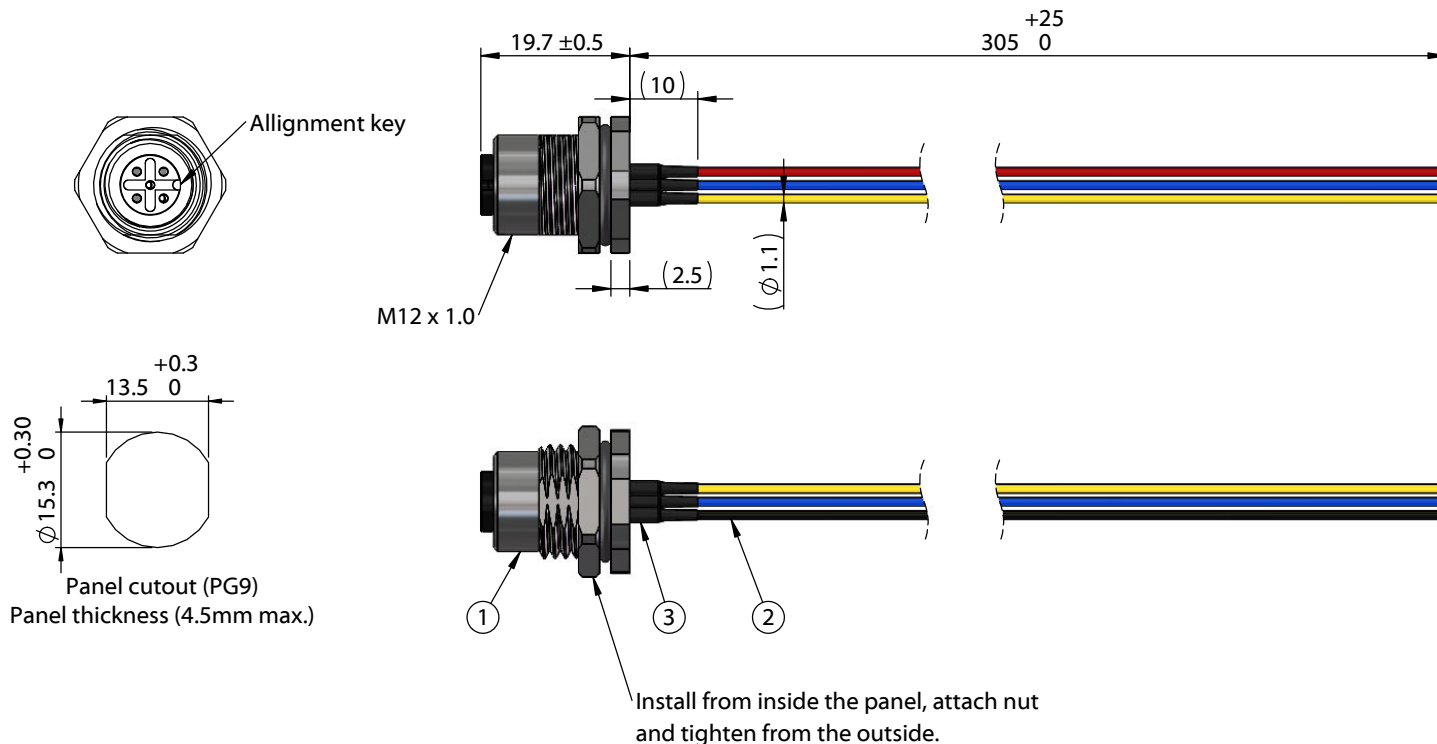


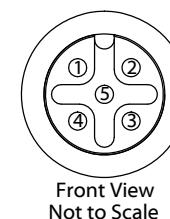
| ITEM NO. | PART NUMBER | DESCRIPTION | QTY. | COMPONENT NOTES |
|----------|-------------|--|------|--|
| 1 | 54-00242 | Connector, 5 pin M12 A-code socket, 12xL21.5mm, gold plated, panel mount, solder cup, IP67 | 1 | nut and o-ring included |
| 2 | Wire | Wire, hook-up, TS, 24 AWG, UL 11028, 600V, 105C, 1.1 mm, mPPE | 5 | color: red, yellow, black, white, blue |
| 3 | Heat shrink | Heat shrink, UL, black | 5 | covers solder joints |



Notes:
 Cable rated for 60 V, 4 A
 Temperature: -40 ~ 105 °C

IP67 waterproof rating when mated with corresponding (IP67) connector and installed properly in panel

Cables individually packaged in PE bag
 Functionally equivalent components may be substituted



| Wiring Diagram | |
|----------------|-------------------|
| 54-00242 | wire color (P/N) |
| 1 | red (30-01762) |
| 2 | yellow (30-01765) |
| 3 | black (30-01763) |
| 4 | white (30-01764) |
| 5 | blue (30-01766) |

| | | | | |
|-----------|-----------|-----------------|--|---|
| Revision: | Date: | Description: | Prepared: | Notes: |
| A | 11/7/2022 | Initial release | PB Digitally signed by PB Date: 2022.12.01 08:31:23 -08'00' | |
| | | | Verified: | RoHS compliant |
| | | | MP Digitally signed by MP Date: 2022.12.01 09:49:38 -08'00' | Function test: no open, no short circuit, no intermittent |
| | | | Dimensions are in millimeters. Tolerances: X: ± 0.5 mm X.X: ± 0.3 mm X.XX: ± 0.05 mm | Description: Cable, 305 mm, M12 5C socket panel mount 54-00242 to blunt cut, 24 AWG, UL 11028 hook-up wire |

TENSILITY

tel 1.541.323.3228 800 877.670.7118
 fax 1.541.323.4202 web tensility.com

| | |
|--------------|--------------|
| Size: | Part number: |
| A | 10-05261 |
| Scale: | 1:1 |
| Sheet 1 of 1 | |