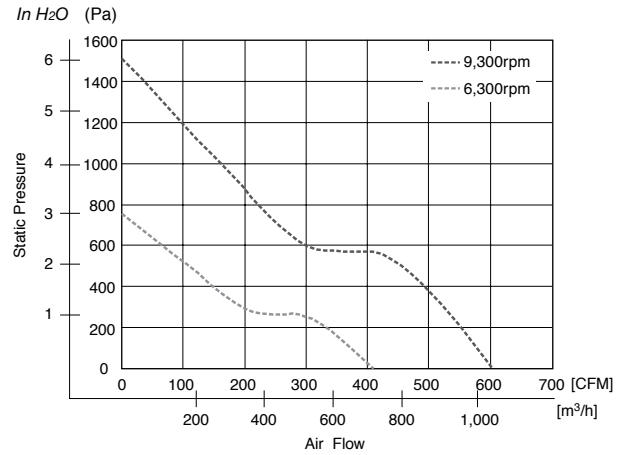




## Characteristic Curves



## General Specifications

### Motor Protection:

Locked Rotor, Reverse Polarity

### Insulation Resistance:

10M Ω min measured with 500V DC between all leads shorted together and case

### Dielectric Withstand Voltage: AC 700V 1 minute

### Allowable Ambient Temperature Range:

-30°C ~ +70°C (Operating)  
-40°C ~ +80°C (Storage)

## Expected Life

### Failure Rate: 10%

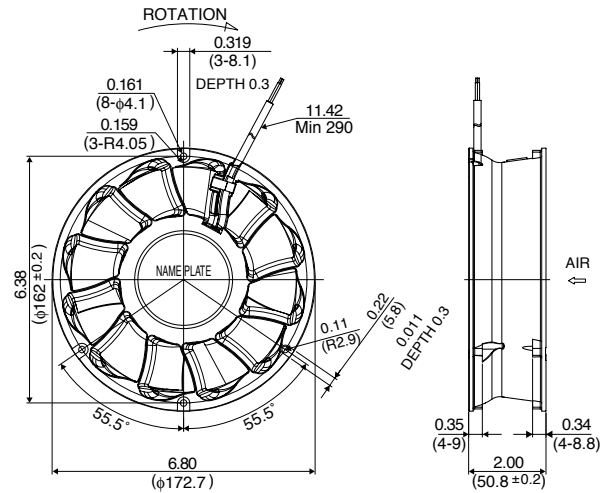
40°C 70,000 Hours (L10)

## Material

Casing : Aluminum  
Impeller : Plastic  
Bearing : Ball Bearing  
Lead Wire : UL3266, AWG22, +Red, -Black,  
Speed Control = Yellow,  
Speed Signal = White

## Outline

Units:  $\frac{\text{inch}}{\text{mm}}$



## Specifications

MODEL	Rated Voltage	Operating Voltage	Current	Input Power	Speed	Max. Air Flow		Max. Static Pressure		Noise	Mass
	(V)	(V)	(A) <sup>*1</sup>	(W) <sup>*1</sup>	(min <sup>-1</sup> ) <sup>*1</sup>	CFM <sup>*1</sup>	(m³/min) <sup>*1</sup>	in H <sub>2</sub> O	(Pa) <sup>*1</sup>	(dB) <sup>*1</sup>	(g)
R172A0-051-D0790	48	30 ~ 72	4.40	211.2	9300	604	17.11	6.05	1510	82	1050
R172A5-051-D0760	48	30 ~ 72	1.60	76.8	6300	409	11.58	3.02	755	74	1050