

1

2

3

4

A

B

C

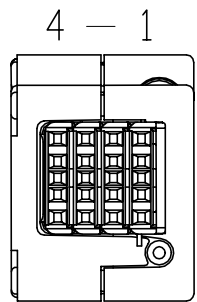
D

A

B

C

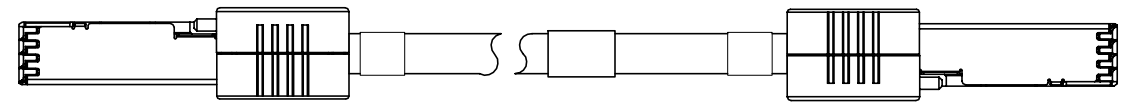
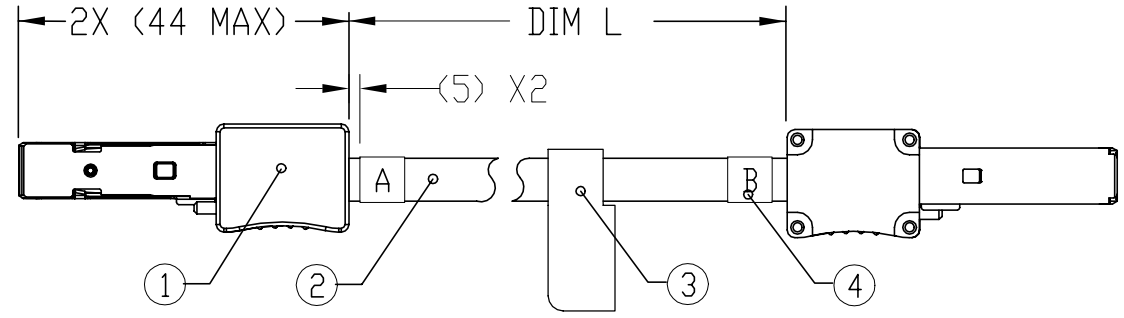
D



E
|
A

VIEW A

VIEW A
SCALE 2:1



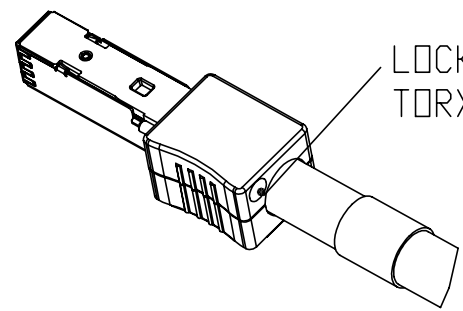
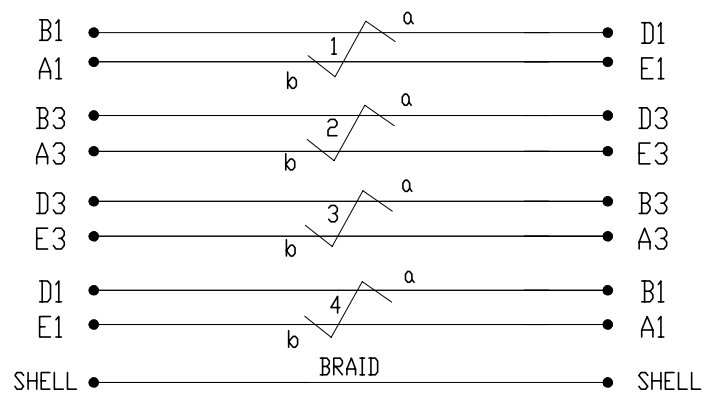
Connector A

Connector B



Connector A

Connector B



LOCKING SCREW
TORX VERSION

Copyright FCI.

REV F - 2006-04-17

rev	ecn no	dr	date
A	-	Tom	2013-10-31

www.fciconnect.com			surface - ✓	tolerance std -	projection	MM
			TOLERANCES UNLESS OTHERWISE SPECIFIED		⊕	↔
Dr	Tom Feng	2013-10-31	ANGULAR	LINEAR	size A4	Scale 1:2
Eng	Tom Feng	2013-10-31	0°	±2°	± N/A	ECN
Chr	Roger Cheng	2013-10-31	Product family		C&A	Spec ref
Appr	Jackson Wang	2013-10-31				
title CABLE ASSEMBLY					Rev. A	
30AWG DENSI-SHIELD I/O 4 P CABLE					dwg no 10125195	
catalog no -					CUSTOMER SHEET 1 OF -	

1

2

3

4

PDS: Rev :A

STATUS:Released

Printed: Oct 31, 2013

A

B

C

D

A

B

C

D

P/N AND DIMENSION (TABE-1, SEE NOTE-3)

NO	FCI P/N	ERICSSON P/N	R-State	L/mm	TOLERANCE/mm
1	10125195-R0040EULF	TSR491610/400	R3A	400	+5/-0
2	10125195-R0065EULF	TSR491610/650	R3A	650	+10/-0
3	10125195-R0070EULF	TSR491610/700	R3A	700	+10/-0
4	10125195-R0080EULF	TSR491610/800	R3A	800	+10/-0
5	10125195-R0100EULF	TSR491610/1000	R3A	1000	+10/-0
6	10125195-R0200EULF	TSR491610/2000	R3A	2000	+20/-0
7	10125195-R0500EULF	TSR491610/5000	R3A	5000	+50/-50
8	10125195-R0800EULF	TSR491610/8000	R3A	8000	+80/-80

TSR491610/*** R3A
 SIGNAL CABLE T.A.
 201322 C71-12345678
 Made in China Ericsson

Fold Perforation

4	LABEL	EACH	2
3	LABEL	EACH	1
2	30AWG 4PAIR TWISTED CABLE	M	A/R
1	DENSI-SHILED I/O CONNECTOR	EACH	2
NO	PART DESCRIPTION	UNIT	QUANTITY

	title	CABLE ASSEMBLY	dwg no 10125195	Rev. A
		30AWG DENSI-SHIELD I/O 4 P CABLE		
	catalog no	-	CUSTOMER	sheet 2 of 3



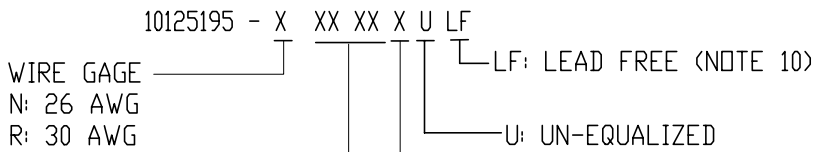
Copyright FCI.

NOTES:

- 1. MATES WITH FCI PART NUMBERS 10044471 SERIES.
- 2. UNLESS OTHERWISE SPECIFIED ASSEMBLED LENGTH TOLERANCE =

Length in mm	Tolerance in mm
L < 10	±1
10 ≤ L < 100	±2
100 ≤ L < 500	+5/- 0
500 ≤ L < 1000	+10/- 0
1000 ≤ L < 4000	+ 1% / - 0
L ≥ 4000	±1%

3. PART NUMBER DESCRIPTION:



LENGTH "DIM L" NOTE 9
 XXXX: XX METERS, XX CENTIMETERS
 EXAMPLES OF LENGTH GIVEN BELOW:
 0046 = 00 METERS 46 CENTIMETERS
 0500 = 05 METERS 00 CENTIMETERS

HARDWARE TYPE
 A: HIGH SPEED VERSION + THUMBSCREWS
 B: HIGH SPEED VERSION + TORX SCREW T-5
 D: STANDARD VERSION + THUMBSCREWS
 E: STANDARD VERSION + TORX SCREW T-5

- 4. ALL CABLE ASSEMBLIES SHALL BE TESTED 100% FOR CONTINUITY AS DEFINED IN WIRING LIST.
- 5. UNLESS OTHERWISE SPECIFIED ALL CABLE ASSEMBLIES SHALL BE 100% HI-POT TESTED PER PRODUCT SPECIFICATION: GS-12-314.
- 6. OTHER TESTING PERFORMED AS REQUIRED BY PRODUCT SPECIFICATION: GS-12-314.
- 7. LEAD FREE PRODUCTS MEET EUROPEAN UNION DIRECTIVES AND OTHER COUNTRY REGULATIONS AS DESCRIBED IN GS-22-008.
- 8. CONNECTOR ASSEMBLIES SHOWN ARE FOR REFERENCE ONLY AND MAY NOT SHOW ALL PART DETAIL. REFERENCE CONNECTOR ASSEMBLY DRAWINGS FOR COMPLETE DETAILS.
- 9. PACKAGING PER GLOBAL STANDARD GS-14-TBD
- 10. MAXIMUM APPLICABLE TORQUE ON LOCKING SCREW = 0.3um

NOTES CONTINUED:

- 11. LABEL CONTENT:
 - ERICSSON PART NUMBER AND REV
 - SIGNAL CABLE T.A.
 - MANUFACTURING YEAR AND WEEK, BATCH INCLUDING FACTORY CODE
 - Made in China Ericsson LOGO
 FONT SHALL BE CLEARLY VISABLE AND BLACK IN COLOR.
- 12. FOR CABLE ASSY LENGTH SHORTER THAN 3M (INCLUDE 3M), PLACE ONE LAEBL IN THE MIDDLE OF CABLE ASSY;
 FOR CABLE ASSY LENGTH LONGER THAN 3M, NEED TWO LABEL, PLACE ONE LAEBL OF EACH CABLE SIDE LABEL POSITION SHOULD BE BOUT 300mm FROM REAR OF CONNECTOR
- 13. MATERIALS:
 - COVERS: ZINC ALLOY, Cu-Ni-Sn PLATED.
 - SHEET METAL COVER: COPPER ALLOY
 - FERRULES: COPPER ALLOY, Ni-Sn PLATED
 - TERMINAL BLOCK:
 - HOUSING: THERMOPLASTIC
 - TEMINALS: COPPER ALLOY, FINISH: MIN 0.8um Au DN Ni-UNDERLAYER IN CONTACT AREA.
 - TRANSITION BOARD: FR4 FIBERGLASS FILLED EPOXY.
 - LOCKING SCREW: STAINLESS STEEL
 - SCREW STOP: TEFLON



Copyright FCI.

	title	CABLE ASSEMBLY	dwg no	10125195	Rev.	A
		30AWG DENSI-SHIELD I/O 4 P CABLE				
	catalog no	-	CUSTOMER	sheet 3 of 3		