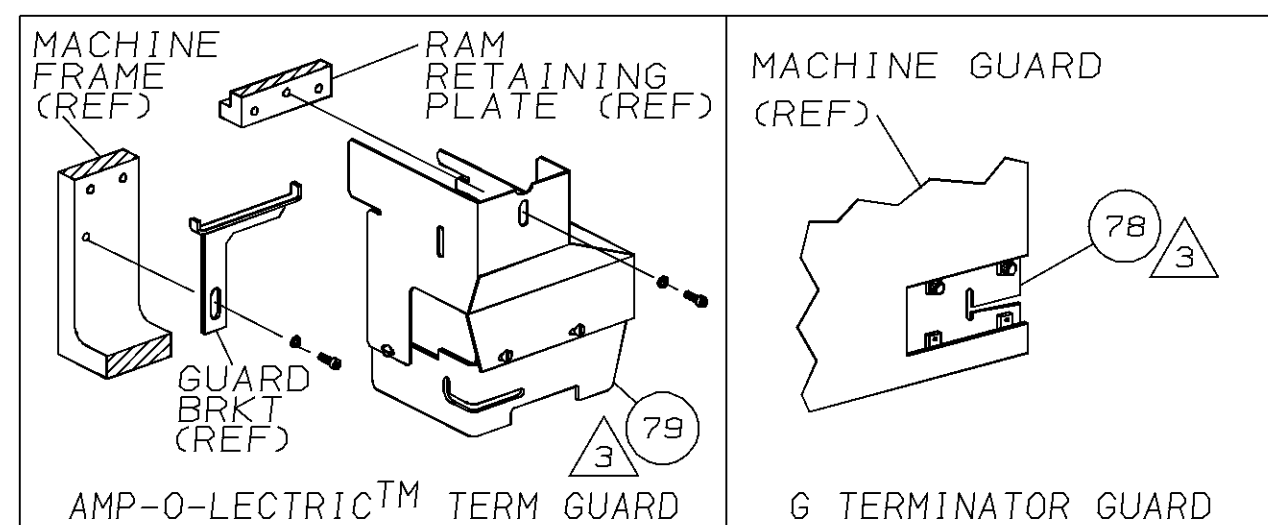


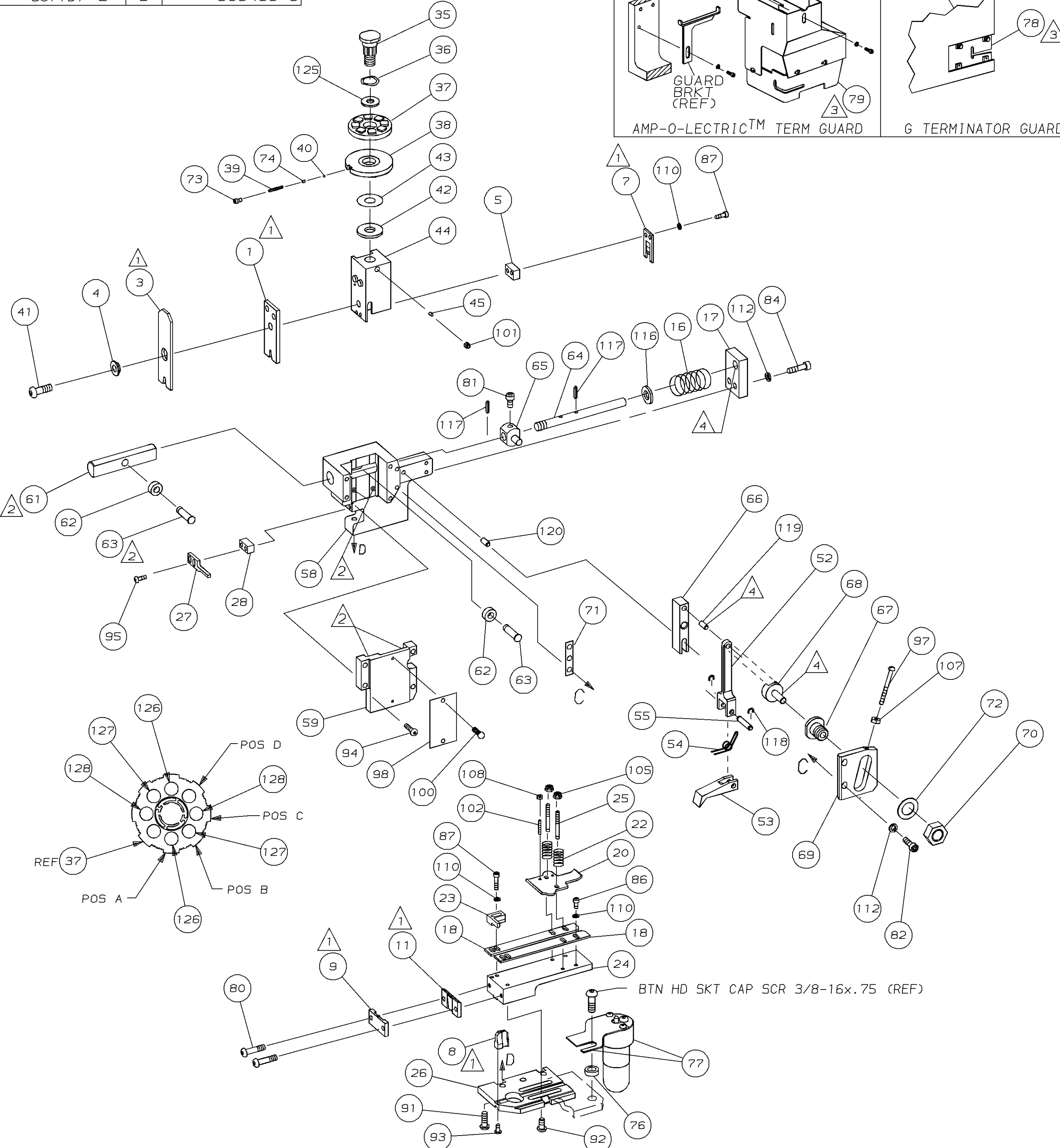
PART NUMBER	REV	FIRST USED
567191-1	B	122500-1
567191-2	B	565435-5



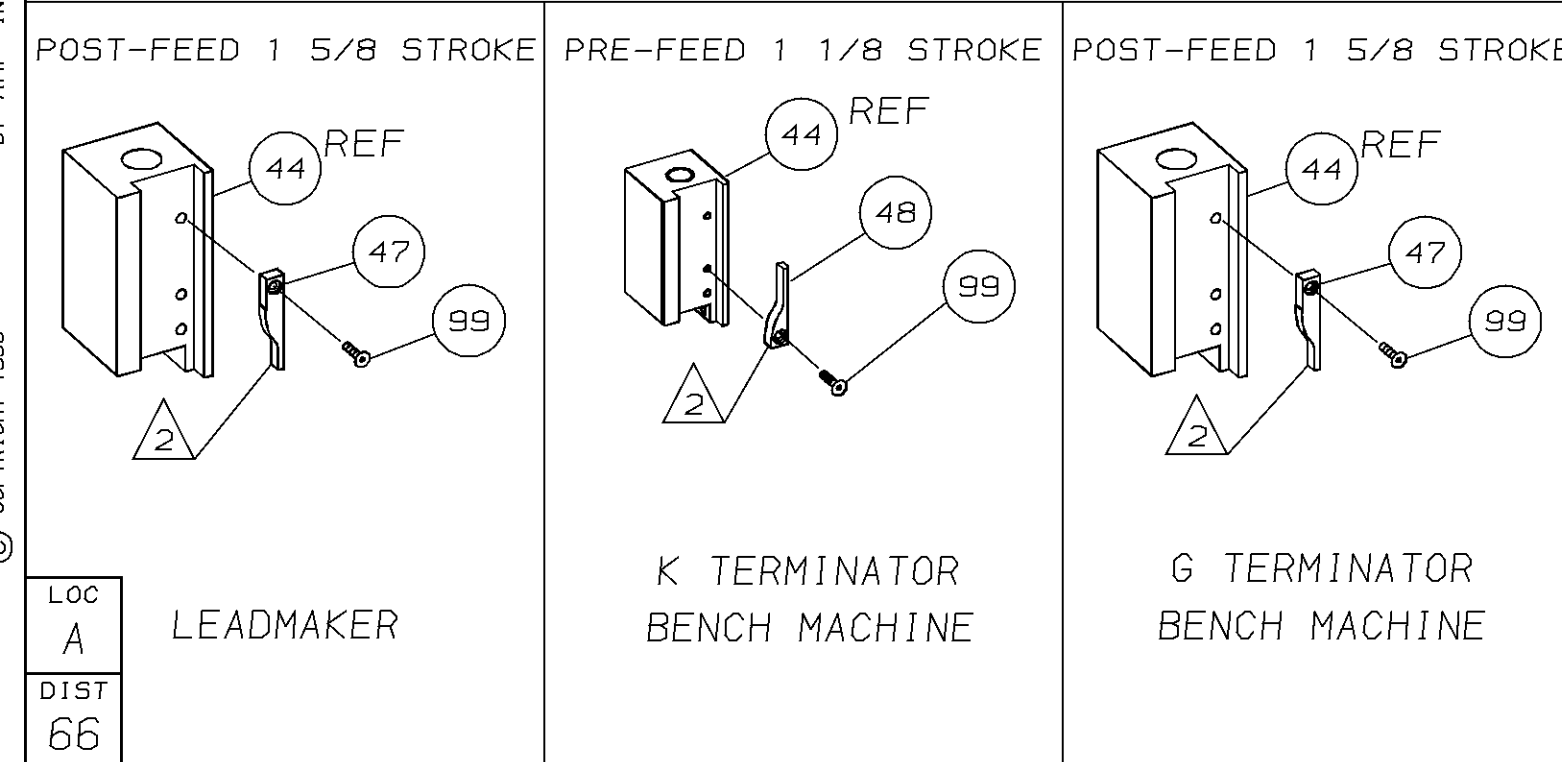
TERMINAL NAME: WELD TAB					
61263					
CRIMPING DATA					
PAD LTR	CRIMP HEIGHT	WIRE SIZE			
A	.031 ±.002 [0.79 ±0.05mm]	22			
B	.028 ±.002 [0.71 ±0.05mm]	24			
C	.027 ±.002 [0.69 ±0.05mm]	26			
D	NOT	USED			
CRIMP	SIZE	TYPE	RANGE		
WIRE	.055 [1.40mm]	F	26-22		
INSUL	.100 [2.54mm]	F	.055-.080		
WIRE STRIP LENGTH	TERM APPL SPEC	FEED	APPL INSTRUCTION	SET UP GAGE	LAYOUT
.156-.188	114-02011	.765	408-8039	458638-1	1266

-1		LEADMAKER & BENCH MODEL G	MECH POST FEED		
-2		BENCH MODEL K	MECH PRE-FEED		
REF	REF	- A	22594-8	NUT, HEX	70
REF	REF	- B	240628-1	PLATE, ADJ	69
REF	REF	- B	240626-1	SHAFT, PIVOT	68
REF	REF	- B	240633-1	BUSHING	67
REF	REF	- A	455680-1	LEVER, INTERMEDIATE	66
REF	REF	- B	240629-1	BLOCK, PIVOT	65
REF	REF	- A	240632-2	SCR, ADJ	64
REF	REF	- B	240659-3	PIN, CAM ROLLER	63
REF	REF	- B	240658-1	CAM, ROLLER	62
REF	REF	- B	454398-1	ROD, FEED	61
REF	REF	- C	454220-1	CAP, RAM	59
REF	REF	- D	453736-1	HOUSING	58
REF	REF	- B	240624-1	PIN, FEED FINGER	55
REF	REF	- B	691499-1	SPRING, FEED FINGER	54
REF	REF	- B	240635-1	FINGER, FEED	53
REF	REF	- B	240634-1	LEVER, TERMINAL	52
REF	REF	- C	454220-1	CAP, RAM	59
REF	REF	- D	453736-1	HOUSING	58
REF	REF	- B	690602-5	CAM, PRE-FEED 1 1/8 ST	48
REF	REF	- B	690501-4	CAM, POST-FEED 1 5/8 ST	47
REF	REF	- A	690191-1	PLUG, NYLON	45
REF	REF	- C	455674-1	RAM	44
REF	REF	- A	690125-1	WASHER, LAMINATED	43
REF	REF	- A	690124-1	WASHER, RAM	42
REF	REF	- A	7-21002-9	BOLT, CRIMPER (5/16-24x1.00)	41
REF	REF	- A	23241-6	BALL, STEEL	40
REF	REF	- A	690170-1	SPRING, COMPRESSION	39
REF	REF	- C	690142-4	DISC, INSULATION	38
REF	REF	- D	354777-1	WIRE DISC, PLASTIC	37
REF	REF	- A	22480-5	WASHER, SPRING	36
REF	REF	- B	690212-1	POST, RAM	35
REF	REF	- D	458980-1	APPLICATOR, BASIC (SUB ASSY)	32
REF	REF	- B	3-690451-2	SPACER, STRIPPER	28
REF	REF	- A	240639-1	STRIPPER	27
REF	REF	- C	455676-1	PLATE, BASE	26
REF	REF	- A	22354-8	DRAG, STUD	25
REF	REF	- B	455678-1	PLATE, STRIP GUIDE	24
REF	REF	- C	240825-6	PLATE, STRIP HOLD DOWN	23
REF	REF	- A	4-22281-1	SPRING, DRAG	22
REF	REF	- A	454177-1	DRAG, STOCK	20
REF	REF	- C	454204-6	GUIDE, STRIP (FRONT)	18
REF	REF	- A	454178-1	GUIDE, FEED ROD	17
REF	REF	- A	4-22284-9	SPRING, FEED RETURN	16
REF	REF	- B	240644-1	PLATE, REAR SHEAR	11
REF	REF	- B	690482-4	PLATE, FRONT SHEAR	9
REF	REF	- D	2-683452-4	ANVIL	8
REF	REF	- B	690474-4	BLADE, SLUG	7
REF	REF	- C	1-240641-2	SPACER, SLUG BLADE	5
REF	REF	- B	238009-1	SPACER, BLOCK CRIMPER	4
REF	REF	- C	2-456134-0	CRIMPER, INSULATION	3
REF	REF	- C	3-456402-3	CRIMPER, WIRE	1

THIS DRAWING IS A CONTROLLED DOCUMENT



QTY	REV	U/M	DWG SIZE	PART NO	DESCRIPTION	ITEM NO
2	2	-	C	6-354779-8	PIN, WIRE DISC (.3330)C	129
2	2	-	C	6-354779-6	PIN, WIRE DISC (.3320)B	127
2	2	-	C	6-354779-0	PIN, WIRE DISC (.3290)A	126
1	1	-	A	986950-1	WASHER, FLAT PRECISION	125
1	1	-	A	217238-1	GENERAL INSTRUCTION PACKAGE	124
1	1	-	-	4088039	EF APPL INST 408-8039	123
REF	REF	-	A	1-21030-7	PIN, DOWEL (Ø.187x1.50) HSG	120
REF	REF	-	A	1-21030-1	PIN, DOWEL (Ø.187x.50) LEVER	119
REF	REF	-	A	21045-3	RING, RET "C" (Ø.187) FD PIN	118
REF	REF	-	A	5-21028-1	PIN, STD SPRING (Ø.12) FD ADJ ROD	117
REF	REF	-	A	21899-4	WASHER, FLAT (Ø5/16) SCR ADJ	116
REF	REF	-	A	21024-5	WASHER, LOCK (NO.10) FD ROD GDE	112
7	7	-	A	21024-4	WASHER, LOCK (NO.8) SHEAR BL	110
2	2	-	A	21018-4	NUT, HEX (4-40) DRAG	108
REF	REF	-	A	21018-5	NUT, HEX (6-32) FD ADJ PL	107
2	2	-	A	21022-2	NUT, HEX SL (8-32) DRAG STUD	105
2	2	-	A	2-21006-6	SCR, SKT SET (4-40x.62) DRAG	102
1	1	-	A	21009-2	SCR, SKT SET (1/4-20x.25) RAM	101
2	2	-	A	21017-2	SCR, DRIVE (#2x.19) ID PLATE	100
1	1	-	A	1-21002-7	SCR, BHC (6-32x.38) CAM	99
1	1	-	B	461264-1	PLATE, IDENTIFICATION	98
REF	REF	-	A	6-23715-5	SCR, PAN HD (6-32x1.50) FEED ADJ	97
2	2	-	A	2-21002-2	SCR, BHC (8-32x.50) STRIPPER	95
REF	REF	-	A	2-21002-9	SCR, BHC (10-32x.75) HSG CAP	94
1	1	-	A	22733-8	SCR, BHC (8-32x.38 LW) ANVIL	93
4	4	-	A	3-21002-3	SCR, BHC (1/4-20x.50) ST ØD PL	92
REF	REF	-	A	2-22733-8	SCR, BHC (1/4-20x.62) BASE PL	91
4	4	-	A	2-21000-7	SCR, SHC (8-32x.50) SLUG BLADE	87
3	3	-	A	7-21000-4	SCR, SHC (8-32x.31) STRIP GUIDE	86
REF	REF	-	A	3-21000-7	SCR, SHC (10-32x.75) FEED ROD GDE	84
REF	REF	-	A	3-21000-6	SCR, SHC (10-32x.62) FEED ADJ PL	82
REF	REF	-	A	3-21000-4	SCR, SHC (10-32x.38) PIVOT BLOCK	81
2	2	-	A	3-21002-0	SCR, BHC (10-32x.88) SHEAR PL	80
REF	REF	-	A	455745-1	GUARD, WINDOW	79
-	REF	-	A	679532-1	INSERT, GUARD	78
1	-	-	C	465184-9	LUBRICATOR ASSY	77
1	-	-	A	454406-1	SPACER, LUB BRACKET	76
1	1	-	A	690603-1	SPRING, ASSIST	74
1	1	-	A	23030-1	SCR, SKT CAP (6-32x.25) CP DSC	73
REF	REF	-	A	458109-1	WASHER, FLAT (SPECIAL)	72
REF	REF	-	A	690517-1	SPACER	71



- 1 RECOMMENDED SPARE PARTS.
- 2 GREASE LIGHTLY.
- 3 GUARD MUST BE IN PLACE WHEN OPERATING APPLICATOR IN A BENCH MACHINE.
- 4 LUBRICATE DAILY USING NO. 20 MACHINE OIL.
- 5. ITEMS WITH QTY OF REF SPECIFIED (EXCEPT ITEMS 78 AND 79) ARE USED ON ITEM 32.
- 6 ITEM 78 USED WITH G TERMINATOR ONLY.

QTY	REV	U/M	DWG SIZE	PART NO	DESCRIPTION	ITEM NO
1	1	-	B	240644-1	PLATE, REAR SHEAR	11
1	1	-	B	690482-4	PLATE, FRONT SHEAR	9
1	1	-	D	2-683452-4	ANVIL	8
1	1	-	B	690474-4	BLADE, SLUG	7
1	1	-	C	1-240641-2	SPACER, SLUG BLADE	5
1	1	-	B	238009-1	SPACER, BLOCK CRIMPER	4
1	1	-	C	2-456134-0	CRIMPER, INSULATION	3
1	1	-	C	3-456402-3	CRIMPER, WIRE	1

THIS DRAWING IS UNPUBLISHED. MAR 4, 1998 RELEASED FOR PUBLICATION BY AMP INCORPORATED. ALL INTERNATIONAL RIGHTS RESERVED. © COPYRIGHT 1998