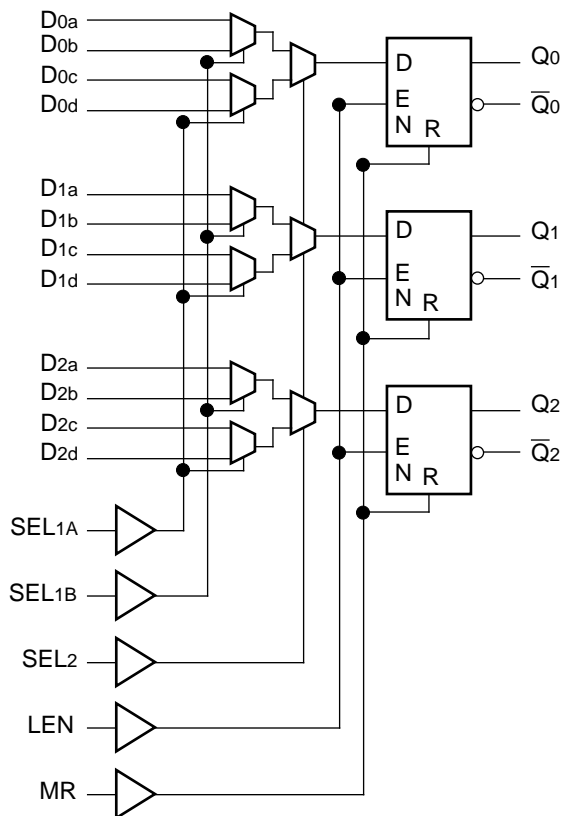


- 950ps max. data to output
- Extended 100E VEE range of -4.2V to -5.5V
- 850ps max. latch enable to output
- Separate select controls
- Differential outputs
- Fully compatible with industry standard 10KH, 100K ECL levels
- Internal 75KΩ input pulldown resistors
- Fully compatible with Motorola MC10E/100E256
- Available in 28-pin PLCC package

The SY10/100E256 offer three 4:1 multiplexers followed by latches with differential outputs designed for use in new, high-performance ECL systems. Separate Select controls are provided for the leading 2:1 mux pairs (see block diagram).

When the Latch Enable (LEN) is at a logic LOW, the latch is transparent and output data is controlled by the multiplexer select controls. A logic HIGH on LEN latches the outputs. The Master Reset (MR) overrides all other controls to set the Q outputs LOW.

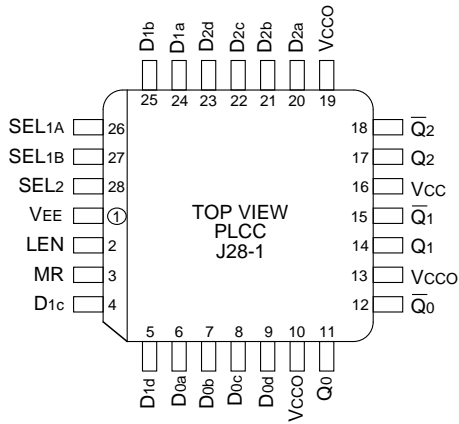
## BLOCK DIAGRAM



## PIN NAMES

Pin	Function
D0x-D2x	Parallel Data Inputs
SEL1A, SEL1B	First-stage Select Inputs
SEL2	Second-stage Select Input
LEN	Latch Enable
MR	Master Reset
Q0, Q0-bar, Q2, Q2-bar	Data Outputs
VCCO	Vcc to Output

**PACKAGE ORDERING INFORMATION**



**28-Pin PLCC (J28-1)**

**Ordering Information<sup>(1)</sup>**

Part Number	Package Type	Operating Range	Package Marking	Lead Finish
SY10E256JC	J28-1	Commercial	SY10E256JC	Sn-Pb
SY10E256JCTR <sup>(2)</sup>	J28-1	Commercial	SY10E256JC	Sn-Pb
SY100E256JC	J28-1	Commercial	SY100E256JC	Sn-Pb
SY100E256JCTR <sup>(2)</sup>	J28-1	Commercial	SY100E256JC	Sn-Pb
SY10E256JZ <sup>(3)</sup>	J28-1	Commercial	SY10E256JZ with Pb-Free bar-line indicator	Matte-Sn
SY10E256JZTR <sup>(2, 3)</sup>	J28-1	Commercial	SY10E256JZ with Pb-Free bar-line indicator	Matte-Sn
SY100E256JZ <sup>(3)</sup>	J28-1	Commercial	SY100E256JZ with Pb-Free bar-line indicator	Matte-Sn
SY100E256JZTR <sup>(2, 3)</sup>	J28-1	Commercial	SY100E256JZ with Pb-Free bar-line indicator	Matte-Sn

**Notes:**

1. Contact factory for die availability. Dice are guaranteed at T<sub>A</sub> = 25°C, DC Electricals only.
2. Tape and Reel.
3. Pb-Free package is recommended for new designs.

**TRUTH TABLE**

Pin	State	Operation
SEL2	H	Output c/d Data
SEL1A	H	Input d Data
SEL1B	H	Input b Data

**DC ELECTRICAL CHARACTERISTICS**

V<sub>EE</sub> = V<sub>EE</sub> (Min.) to V<sub>EE</sub> (Max.); V<sub>CC</sub> = V<sub>CCO</sub> = GND

Symbol	Parameter	T <sub>A</sub> = 0°C			T <sub>A</sub> = +25°C			T <sub>A</sub> = +85°C			Unit	Condition	
		Min.	Typ.	Max.	Min.	Typ.	Max.	Min.	Typ.	Max.			
I <sub>IH</sub>	Input HIGH Current	—	—	150	—	—	150	—	—	150	μA	—	
I <sub>EE</sub>	Power Supply Current	10E	—	69	83	—	69	83	—	69	83	mA	—
		100E	—	69	83	—	69	83	—	79	96		

**AC ELECTRICAL CHARACTERISTICS**

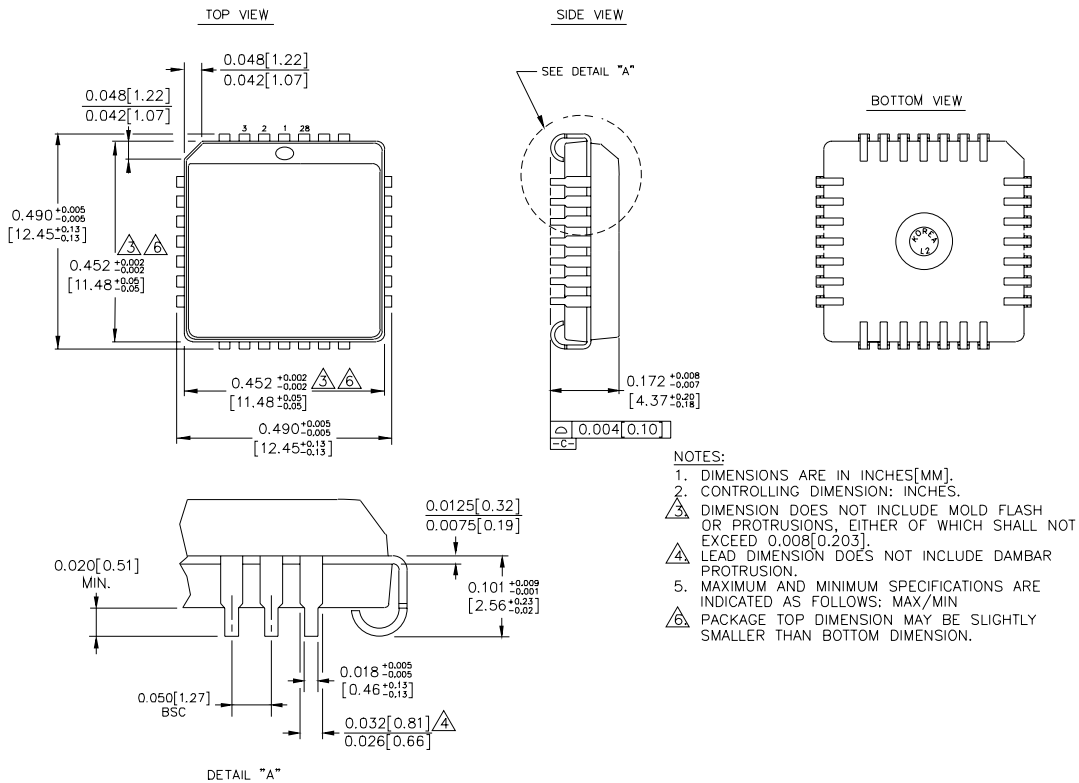
V<sub>EE</sub> = V<sub>EE</sub> (Min.) to V<sub>EE</sub> (Max.); V<sub>CC</sub> = V<sub>CCO</sub> = GND

Symbol	Parameter	T <sub>A</sub> = 0°C			T <sub>A</sub> = +25°C			T <sub>A</sub> = +85°C			Unit	Condition
		Min.	Typ.	Max.	Min.	Typ.	Max.	Min.	Typ.	Max.		
t <sub>PD</sub>	Propagation Delay to Output D	400	600	900	400	600	900	400	600	900	ps	—
	SEL1	550	775	1050	550	775	1050	550	775	1050		
	SEL2	450	650	900	450	650	900	450	650	900		
	LEN	350	500	800	350	500	800	350	500	800		
	MR	350	600	825	350	600	825	350	600	825		
t <sub>S</sub>	Set-up Time D	400	275	—	400	275	—	400	275	—	ps	—
	SEL1	600	300	—	600	300	—	600	300	—		
	SEL2	500	250	—	500	250	—	500	250	—		
t <sub>H</sub>	Hold Time D	300	-275	—	300	-275	—	300	-275	—	ps	—
	SEL1	100	-300	—	100	-300	—	100	-300	—		
	SEL2	200	-250	—	200	-250	—	100	-250	—		
t <sub>RR</sub>	Reset Recovery Time	700	600	—	700	600	—	700	600	—	ps	—
t <sub>PW</sub>	Minimum Pulse Width, MR	400	—	—	400	—	—	400	—	—	ps	—
t <sub>skew</sub>	Within-Device Skew	—	50	—	—	50	—	—	50	—	ps	1
t <sub>r</sub> t <sub>f</sub>	Rise/Fall Time 20% to 80%	275	475	700	275	475	700	275	475	700	ps	—

**Note:**

1. Within-device skew is defined as identical transitions on similar paths through a device.

28-PIN PLCC (N28-1)



Rev. 03

**MICREL, INC. 2180 FORTUNE DRIVE SAN JOSE, CA 95131 USA**

TEL + 1 (408) 944-0800 FAX + 1 (408) 474-1000 WEB <http://www.micrel.com>

The information furnished by Micrel in this data sheet is believed to be accurate and reliable. However, no responsibility is assumed by Micrel for its use. Micrel reserves the right to change circuitry and specifications at any time without notification to the customer.

Micrel Products are not designed or authorized for use as components in life support appliances, devices or systems where malfunction of a product can reasonably be expected to result in personal injury. Life support devices or systems are devices or systems that (a) are intended for surgical implant into the body or (b) support or sustain life, and whose failure to perform can be reasonably expected to result in a significant injury to the user. A Purchaser's use or sale of Micrel Products for use in life support appliances, devices or systems is at Purchaser's own risk and Purchaser agrees to fully indemnify Micrel for any damages resulting from such use or sale.

© 2006 Micrel, Incorporated.