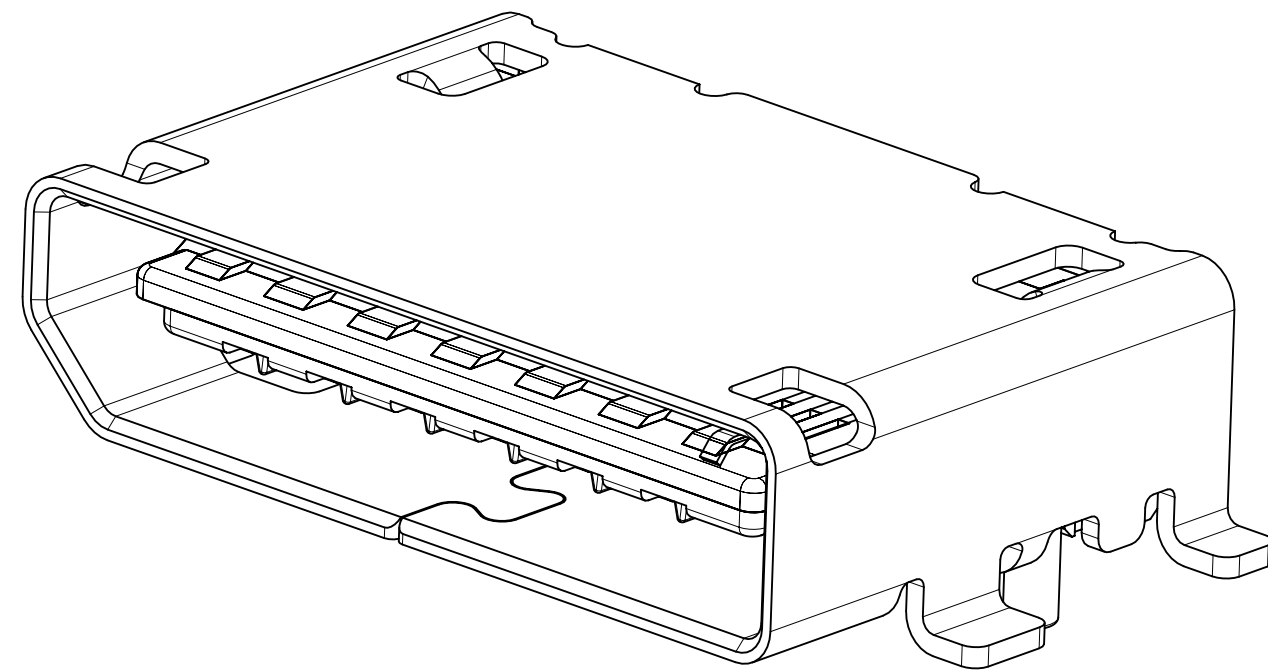
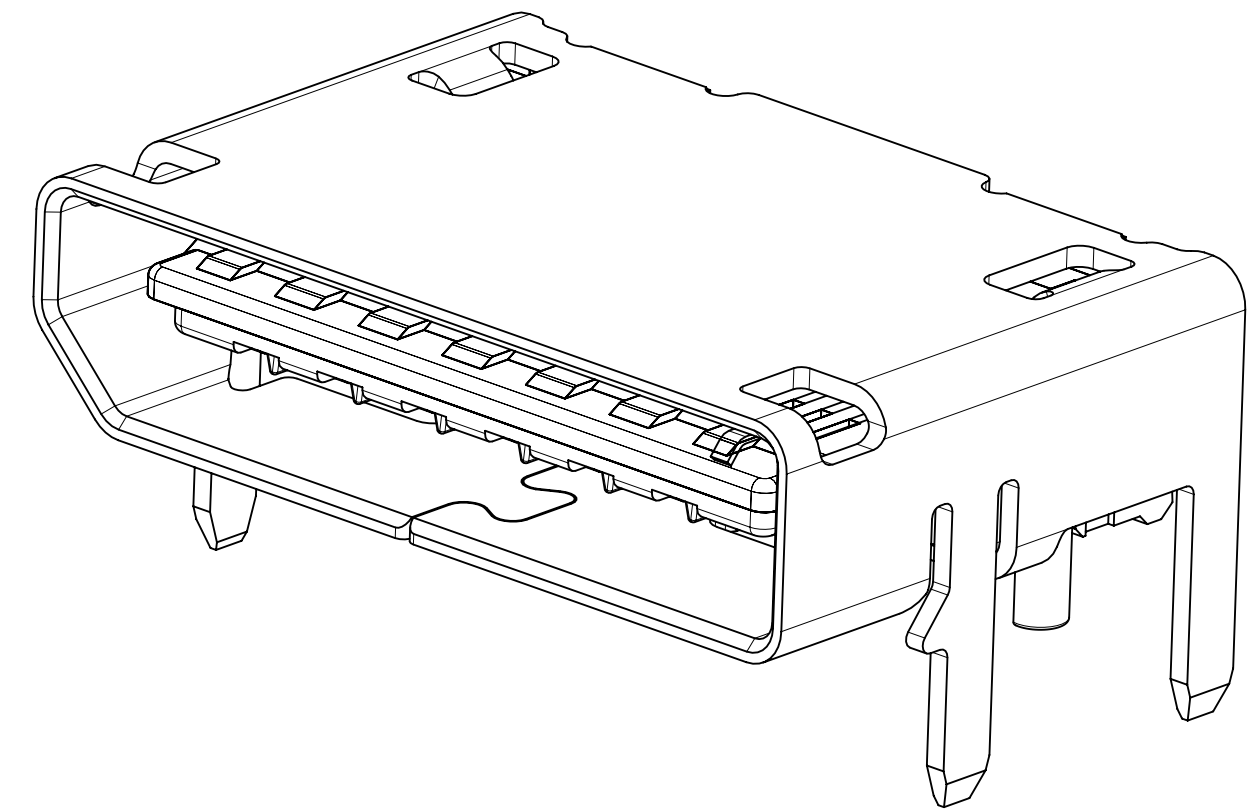


42 CIRCUIT SMT SHELL



42 CIRCUIT THRU HOLE SHELL



NOTES:

- MATERIALS:**
HOUSING - LCP, GLASS FILLER THERMOPLASTIC, 94V-0
CONTACTS - HIGH PERFORMANCE COPPER ALLOY
SHIELD - STAINLESS STEEL
- FINISH:**
CONTACTS - 0.76µm MIN. GOLD MATING SIDE
0.05µm GOLD FLASH ON SOLDER TAILS
1.27µm MIN. NICKEL UNDERPLATE OVERALL

SHIELD - MATTE TIN OVER 1.27µm MIN. NICKEL
- PRODUCT SPECIFICATION:** PS-173162-0001
- PACKAGING SPECIFICATION:** PK-173307-0001
- MATES WITH:** MOLEX CABLE SERIES 100436
PER INDUSTRY STANDARD PCIe OCuLink OR SFF-8612
- APPLICATION SPECIFICATION:** AS-173162-0001
- COSMETIC SPECIFICATION:** PS-45499-002 CALASS B

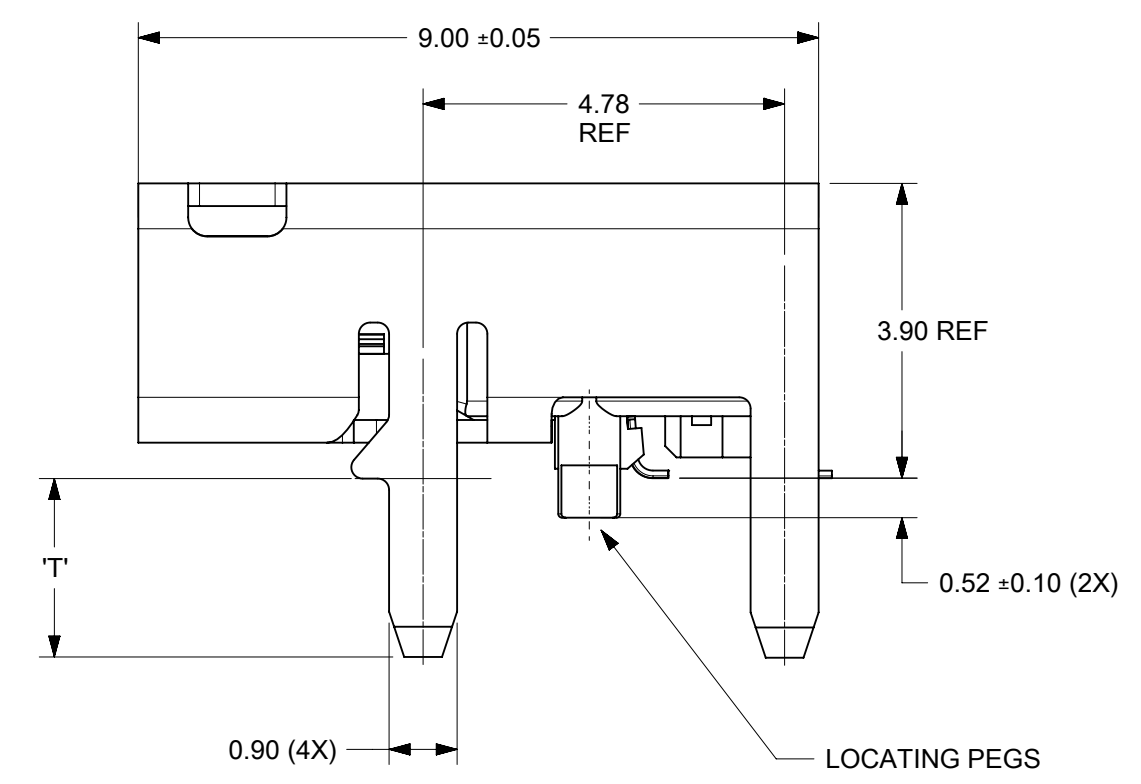
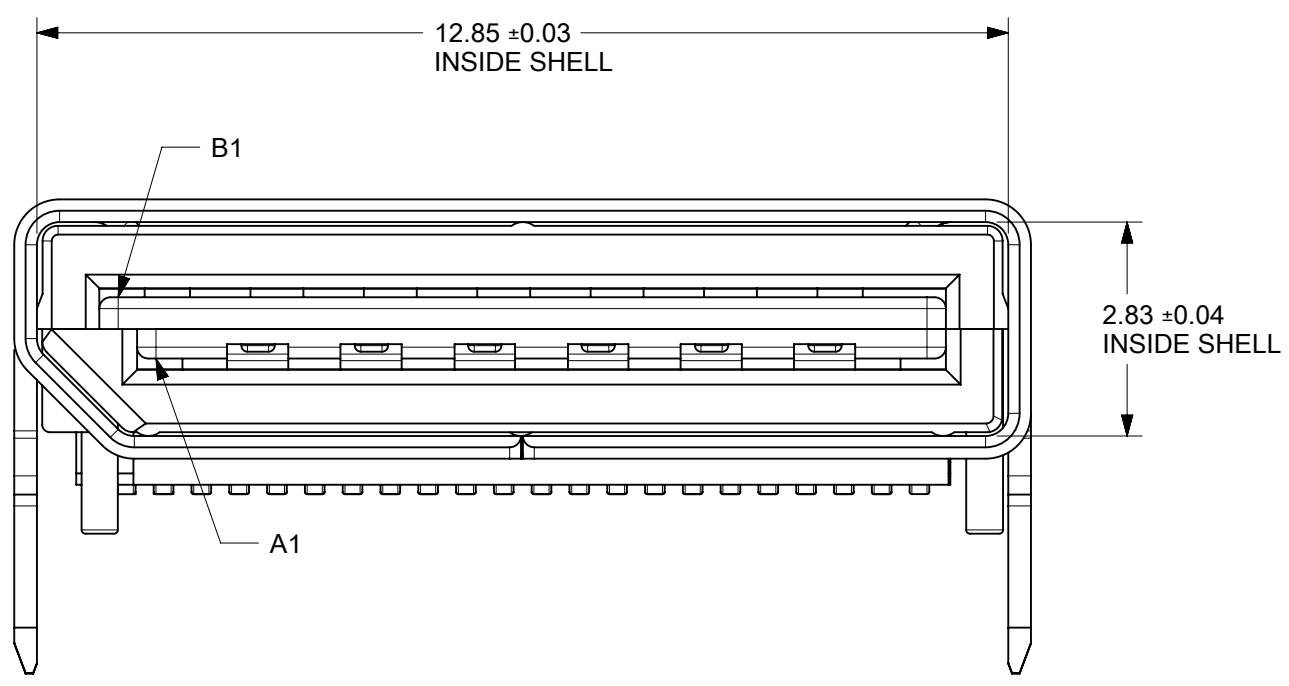
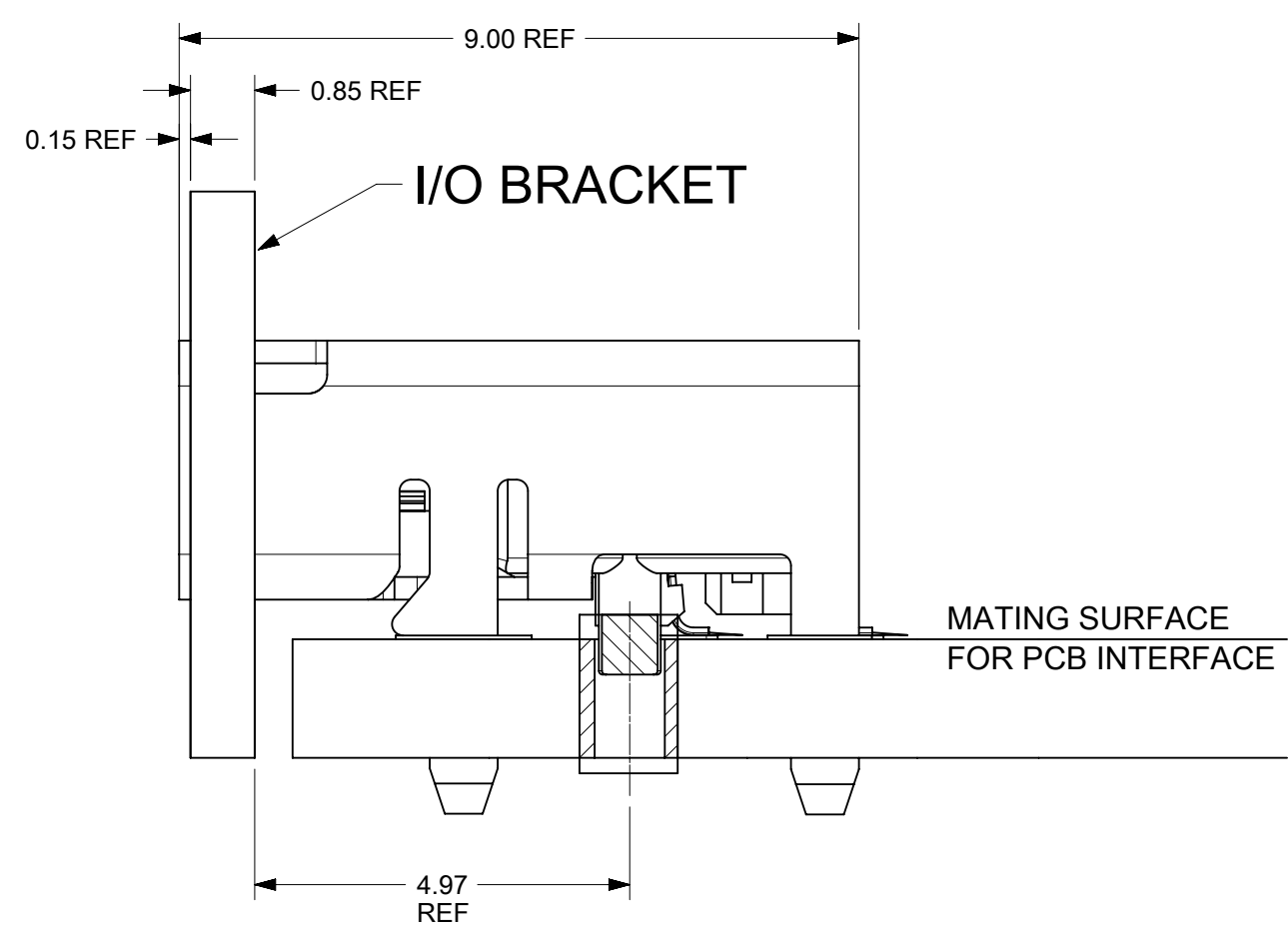
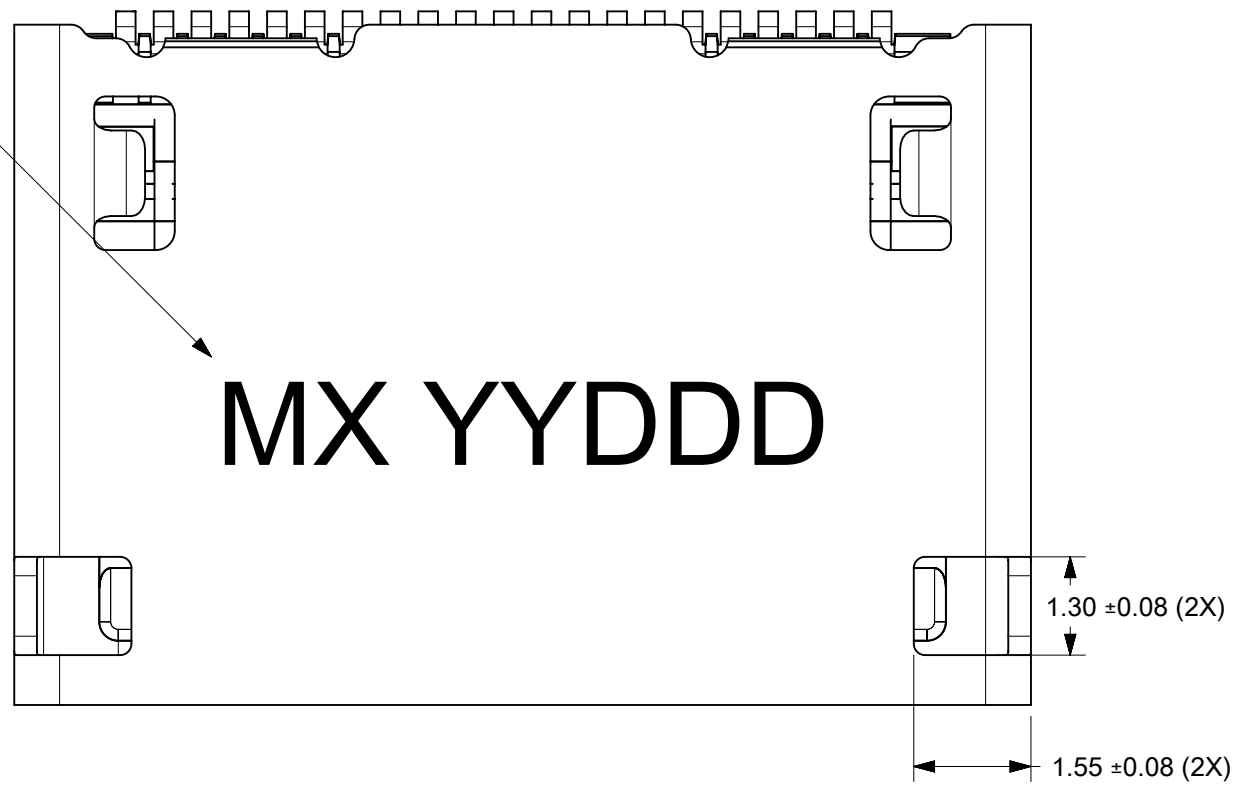
STATUS	MATERIAL NUMBER	SHELL ATTACH OPTION	DIM 'T'
TOOLED	171982-0142	SMT	-
TOOLED	171982-1142	TH	3
TOOLED	171982-2142	TH	2.36
TOOLED	171982-3142	TH	1.57

FUNCTIONAL SYMBOLS	THIS DRAWING CONTAINS INFORMATION THAT IS PROPRIETARY TO MOLEX ELECTRONIC TECHNOLOGIES, LLC AND SHOULD NOT BE USED WITHOUT WRITTEN PERMISSION										
	DIMENSION UNITS	SCALE	CURRENT REV DESC:							molex	
$\nabla_A = 0$	mm	10:1	EC NO: 701025								
$\nabla_C = 0$	GENERAL TOLERANCES (UNLESS SPECIFIED)		DRWN: ABELD2 2022/03/25							PRODUCT CUSTOMER DRAWING	
$\nabla_P = 0$	ANGULAR TOL ± 0.5°		CHK'D: JKACHLIC 2022/03/31								
DIVISIONAL SYMBOLS	4 PLACES ±		APPR: JKACHLIC 2022/03/31							SD-171982-1000	
	3 PLACES ±		INITIAL REVISION:								
	2 PLACES ± 0.13		DRWN: MJANTELEZIO 2015/10/21							MATERIAL NUMBER	
1 PLACE ± 0.25		APPR: MBANAKIS 2015/11/09							CUSTOMER		
0 PLACES ±		THIRD ANGLE PROJECTION		DRAWING		SERIES		GENERAL MARKET			
DRAFT WHERE APPLICABLE MUST REMAIN WITHIN DIMENSIONS				C-SIZE		171982				SHEET NUMBER	
								1 OF 6			

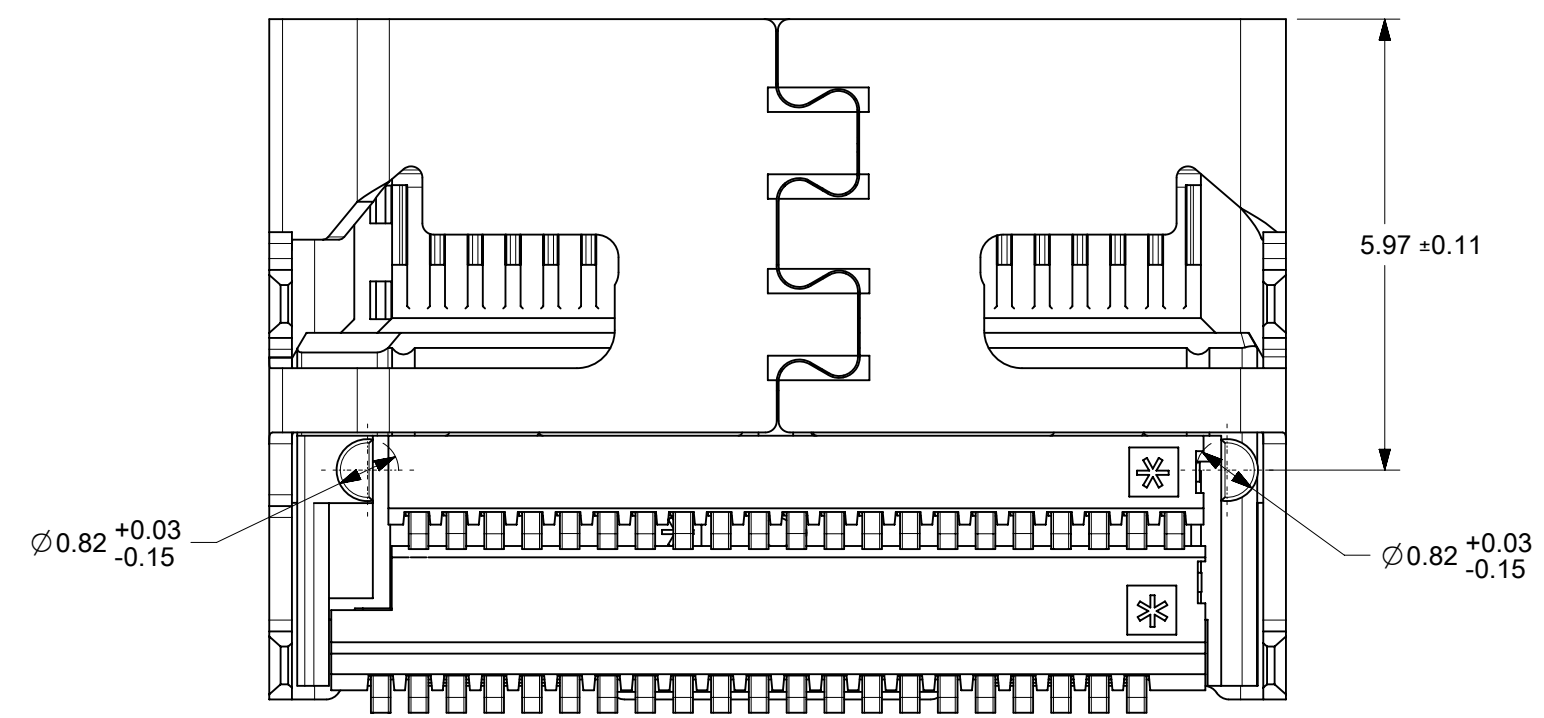
42 CIRCUIT TH ASSEMBLY

EXTERNAL

SEE NOTE #1

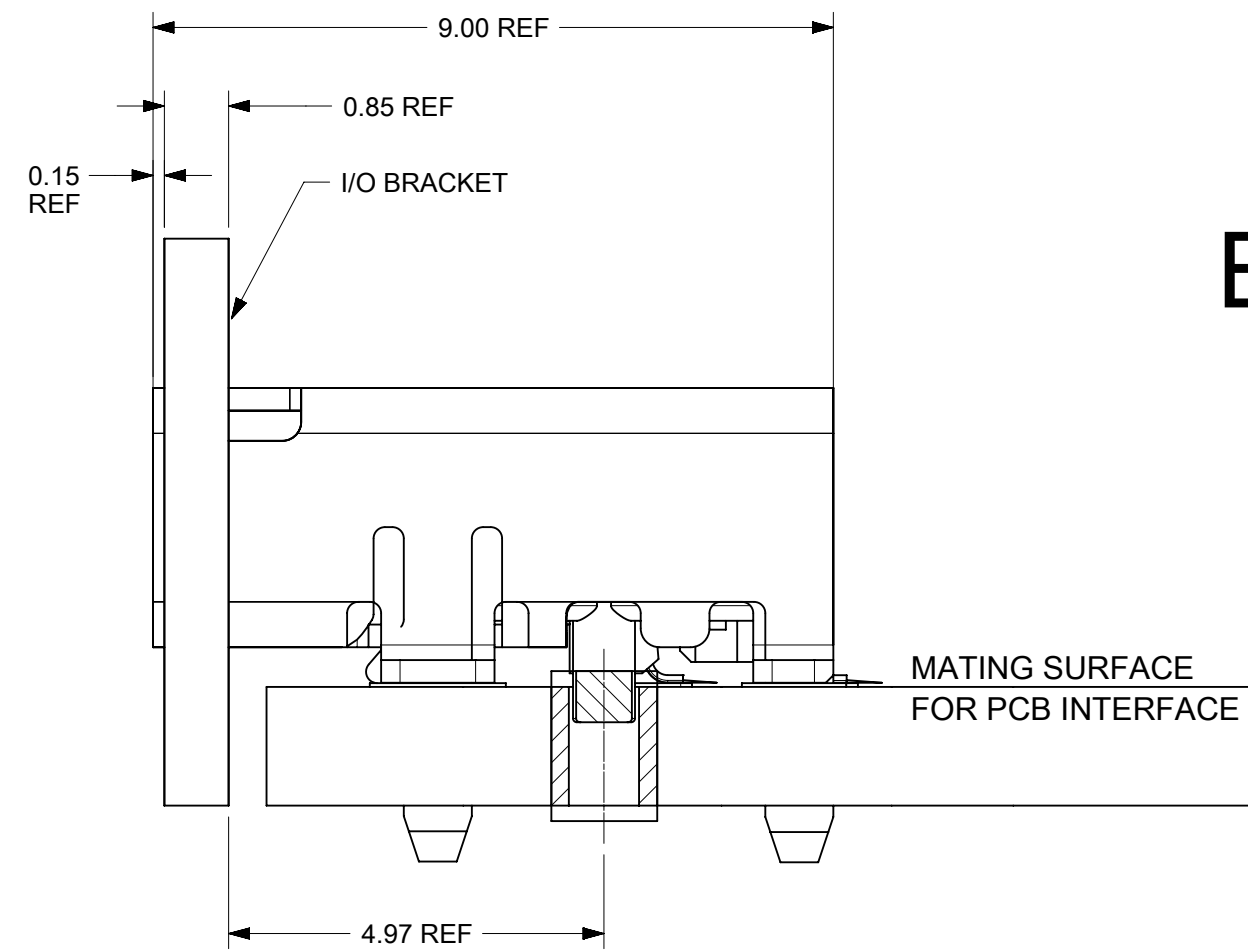
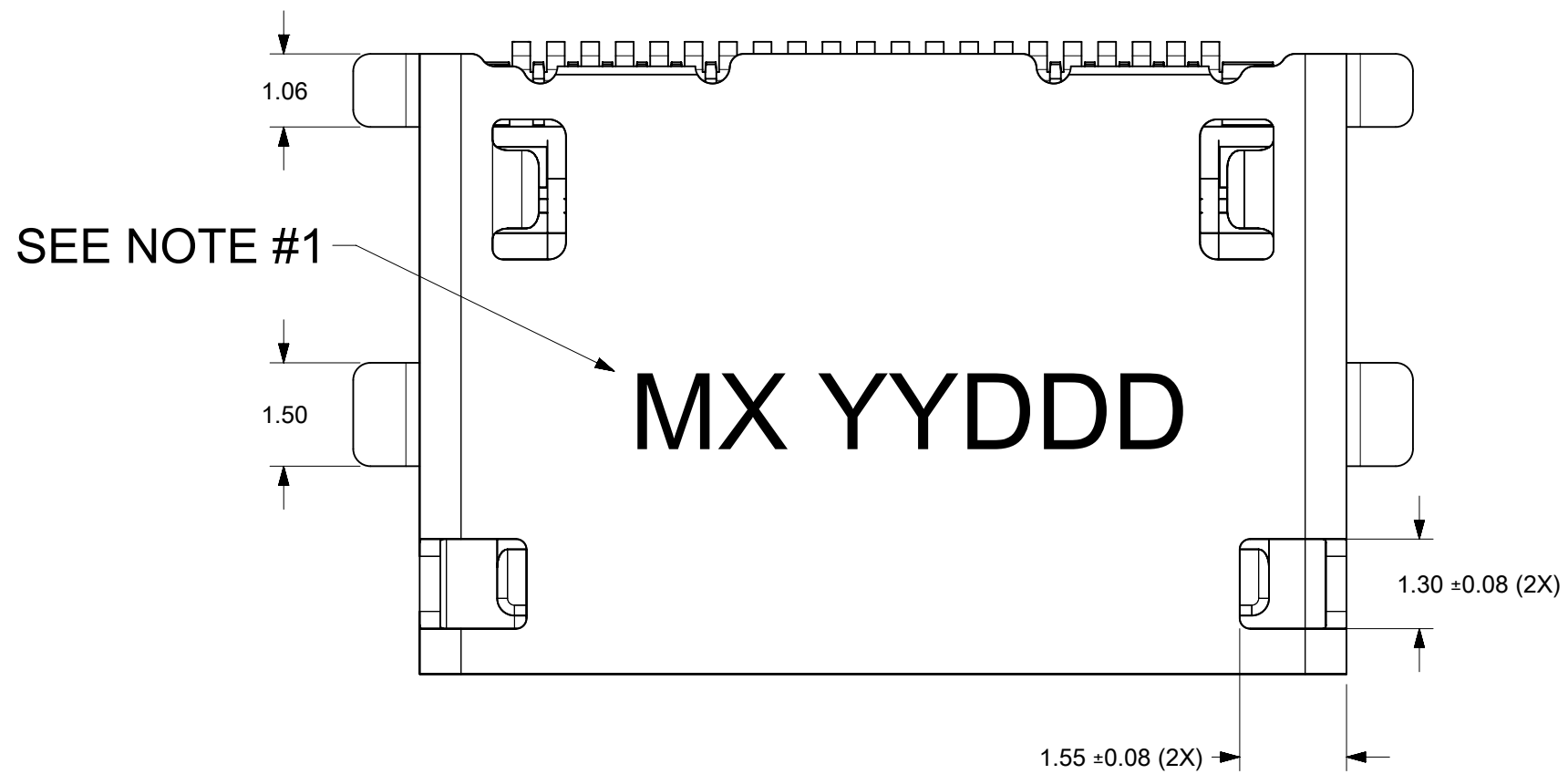


- NOTES:**
- MANUFACTURED DATE CODE (JULIAN CALENDAR) MX YYDDD
 - DAY OF THE YEAR
 - LAST TWO DIGITS OF THE YEAR
 - MOLEX
 - SOLDER TAIL COPLANARITY 0.10 MAX

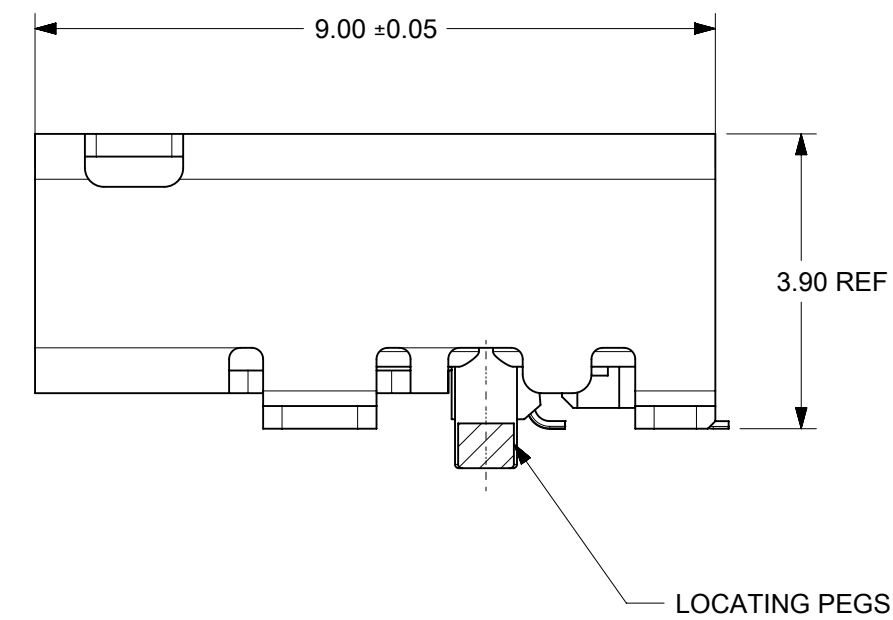
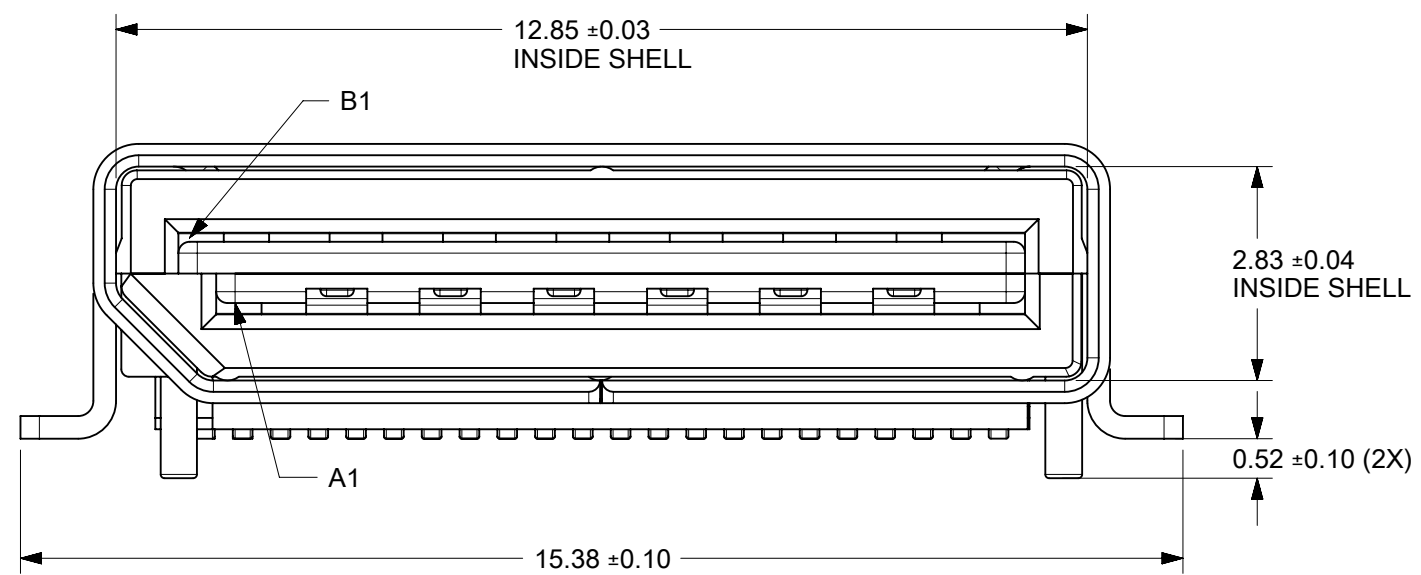


FUNCTIONAL SYMBOLS	THIS DRAWING CONTAINS INFORMATION THAT IS PROPRIETARY TO MOLEX ELECTRONIC TECHNOLOGIES, LLC AND SHOULD NOT BE USED WITHOUT WRITTEN PERMISSION		CURRENT REV DESC:	
	DIMENSION UNITS	SCALE		
FA = 0	mm	10:1		
GENERAL TOLERANCES (UNLESS SPECIFIED)				
	ANGULAR TOL	± 0.5°		
DIVISIONAL SYMBOLS	4 PLACES	±		
	3 PLACES	±		
	2 PLACES	± 0.13		
	1 PLACE	± 0.25		
	0 PLACES	±		
DRAFT WHERE APPLICABLE MUST REMAIN WITHIN DIMENSIONS		THIRD ANGLE PROJECTION	DRAWING	SERIES
			C-SIZE	171982
		EC NO: 701025		2022/03/25
		DRWN: ABELD2		2022/03/31
		CHK'D: JKACHLIC		2022/03/31
		APPR: JKACHLIC		2022/03/31
		INITIAL REVISION:		
		DRWN: MJANTELEZIO		2015/10/21
		APPR: MBANAKIS		2015/11/09
		DOCUMENT NUMBER		DOC TYPE DOC PART REVISION
		SD-171982-1000		PSD 001 J3
		MATERIAL NUMBER		CUSTOMER
		GENERAL MARKET		SHEET NUMBER
				2 OF 6

42 CIRCUIT SMT ASSEMBLY



EXTERNAL



NOTES:

1. MANUFACTURED DATE CODE (JULIAN CALENDAR)

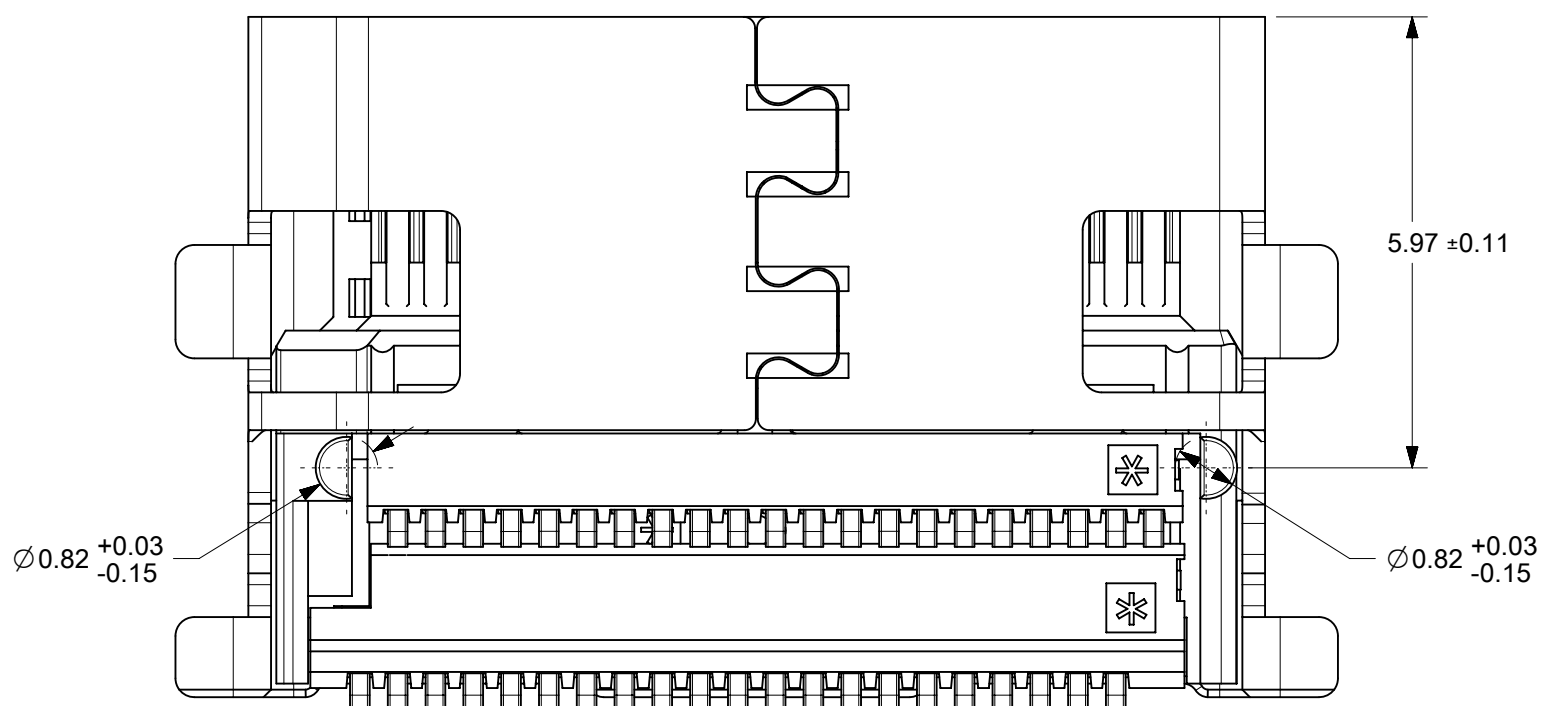
MX YYDDD

DAY OF THE YEAR

LAST TWO DIGITS OF THE YEAR

MOLEX

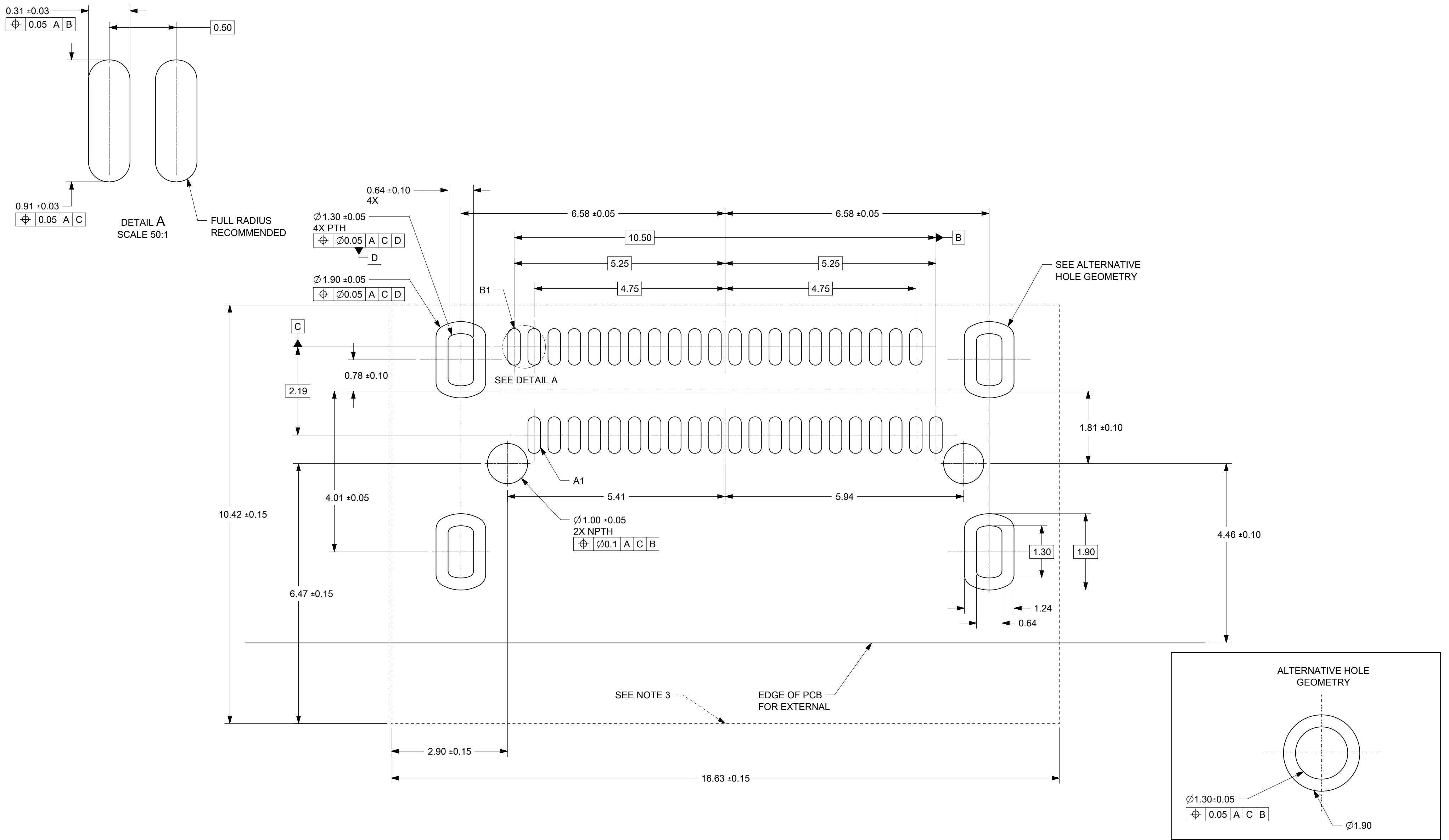
2. SOLDER TAIL COPLANARITY 0.10 MAX



FUNCTIONAL SYMBOLS	THIS DRAWING CONTAINS INFORMATION THAT IS PROPRIETARY TO MOLEX ELECTRONIC TECHNOLOGIES, LLC AND SHOULD NOT BE USED WITHOUT WRITTEN PERMISSION										
	DIMENSION UNITS	SCALE	CURRENT REV DESC:								
∅ = 0	mm	10:1	EC NO: 701025								
∅ = 0	GENERAL TOLERANCES (UNLESS SPECIFIED)		DRWN: ABELD2 2022/03/25							RIGHT ANGLE 4X	
∅ = 0	ANGULAR TOL ± 0.5°		CHK'D: JKACHLIC 2022/03/31							PRODUCT CUSTOMER DRAWING	
DIVISIONAL SYMBOLS	4 PLACES ±		APPR: JKACHLIC 2022/03/31							DOCUMENT NUMBER	
	3 PLACES ±		INITIAL REVISION:							DOC TYPE	
	2 PLACES ± 0.13		DRWN: MJANTELEZIO 2015/10/21							DOC PART	
	1 PLACE ± 0.25		APPR: MBANAKIS 2015/11/09							REVISION	
0 PLACES ±		DRAFT WHERE APPLICABLE MUST REMAIN WITHIN DIMENSIONS		THIRD ANGLE PROJECTION		DRAWING		SERIES		MATERIAL NUMBER	
				C-SIZE		171982		CUSTOMER		SHEET NUMBER	
								GENERAL MARKET		3 OF 6	

SD-171982-1000	PSD	001	J3
----------------	-----	-----	----

42 CIRCUIT TAIL RECOMMENDED FOOTPRINT

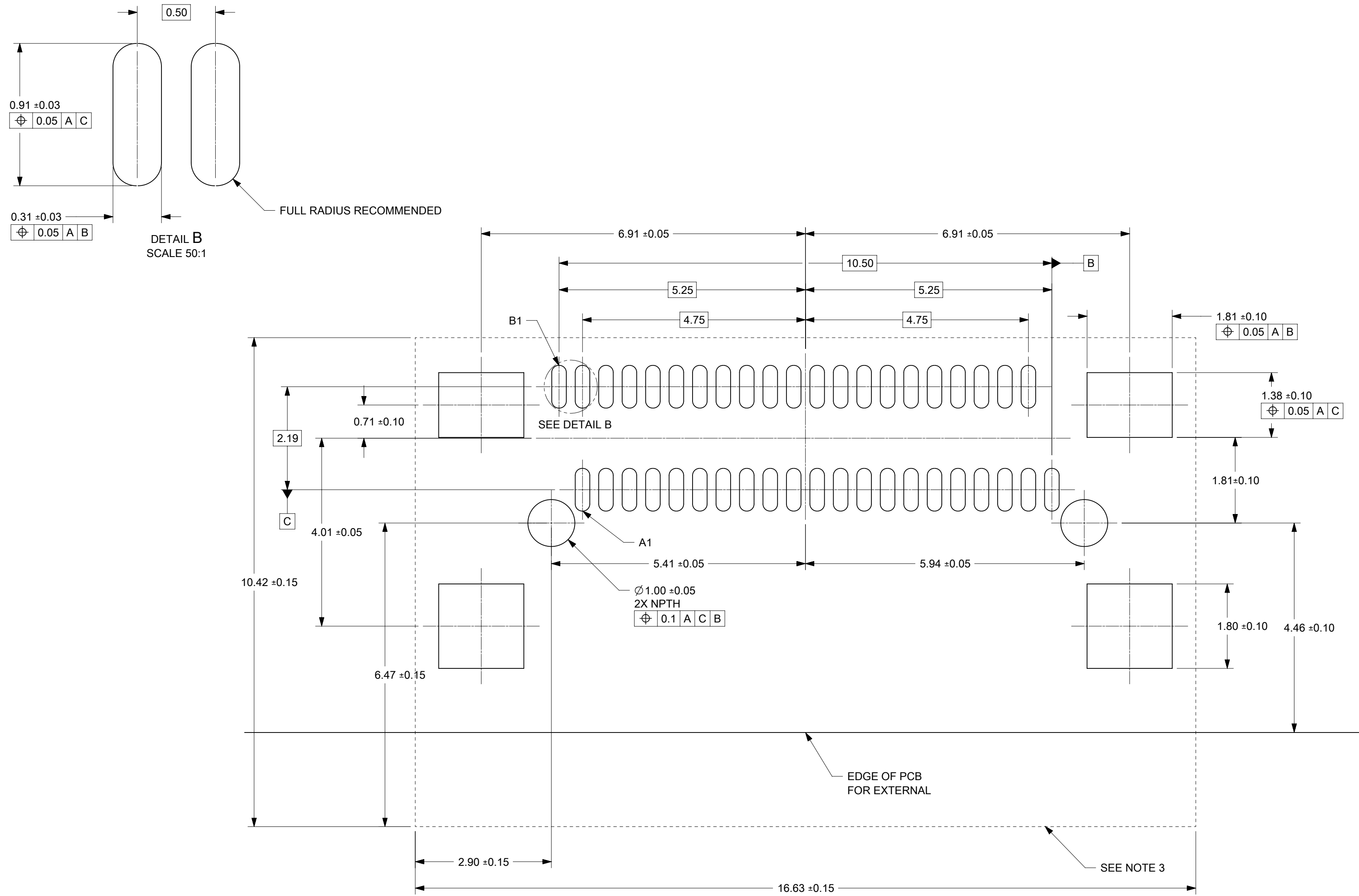


NOTES:

1. MINIMUM RECOMMENDED SPACING BETWEEN ADJACENT CONNECTOR IS 19.05mm
2. MINIMUM RECOMMENDED PCB THICKNESS: 1.57mm
3. CONNECTOR KEEP OUT AREA
4. DATUM -A- ESTABLISHED FROM TOP SURFACE OF PCB

FUNCTIONAL SYMBOLS	THIS DRAWING CONTAINS INFORMATION THAT IS PROPRIETARY TO MOLEX ELECTRONIC TECHNOLOGIES, LLC AND SHOULD NOT BE USED WITHOUT WRITTEN PERMISSION		CURRENT REV DESC:							
	DIMENSION UNITS	SCALE							NANO-PITCH I/O RIGHT ANGLE 4X	
$\overline{A} = 0$	mm	15:1	EC NO: 701025		PRODUCT CUSTOMER DRAWING					
$\overline{C} = 0$	GENERAL TOLERANCES (UNLESS SPECIFIED)		DRWN: ABELD2		DOCUMENT NUMBER					
$\overline{P} = 0$	ANGULAR TOL $\pm 0.5^\circ$		CHK'D: JKACHLIC		SD-171982-1000					
DIVISIONAL SYMBOLS	4 PLACES \pm		APPR: JKACHLIC		DOC TYPE		DOC PART		REVISION	
	3 PLACES \pm		INITIAL REVISION:		PSD		001		J3	
	2 PLACES ± 0.13		DRWN: MJANTELEZIO		CUSTOMER		GENERAL MARKET		SHEET NUMBER	
	1 PLACE ± 0.25		APPR: MBANAKIS		MATERIAL NUMBER		CUSTOMER		4 OF 6	
	0 PLACES \pm		DRAFT WHERE APPLICABLE MUST REMAIN WITHIN DIMENSIONS		SERIES		GENERAL MARKET		4 OF 6	
	THIRD ANGLE PROJECTION		DRAWING		SERIES		GENERAL MARKET		4 OF 6	
	C-SIZE		171982		SERIES		GENERAL MARKET		4 OF 6	

42 CIRCUIT SMT RECOMMENDED FOOTPRINT



NOTES:

1. MINIMUM RECOMMENDED SPACING BETWEEN ADJACENT CONNECTOR IS 19.05mm
2. MINIMUM RECOMMENDED PCB THICKNESS: 1.57mm
3. CONNECTOR KEEP OUT AREA
4. DATUM -A- ESTABLISHED FROM TOP SURFACE OF PCB

FUNCTIONAL SYMBOLS	THIS DRAWING CONTAINS INFORMATION THAT IS PROPRIETARY TO MOLEX ELECTRONIC TECHNOLOGIES, LLC AND SHOULD NOT BE USED WITHOUT WRITTEN PERMISSION		
	DIMENSION UNITS	SCALE	CURRENT REV DESC:
$\frac{F}{A} = 0$	mm	15:1	EC NO: 701025 DRWN: ABELD2 CHK'D: JKACHLIC APPR: JKACHLIC
$\frac{F}{C} = 0$	GENERAL TOLERANCES (UNLESS SPECIFIED)		
$\frac{F}{P} = 0$	ANGULAR TOL ± 0.5°		2022/03/25
DIVISIONAL SYMBOLS	4 PLACES	±	2022/03/31
	3 PLACES	±	2022/03/31
	2 PLACES	± 0.13	
	1 PLACE	± 0.25	
	0 PLACES	±	
DRAFT WHERE APPLICABLE MUST REMAIN WITHIN DIMENSIONS		THIRD ANGLE PROJECTION	DRAWING SERIES
			C-SIZE 171982
DOCUMENT STATUS		P1	RELEASE DATE
2022/03/31		04:19:28	
DOCUMENT NUMBER		CUSTOMER	SHEET NUMBER
SD-171982-1000		GENERAL MARKET	5 OF 6
DOC TYPE		DOC PART	REVISION
PSD		001	J3

molex

NANO-PITCH I/O
RIGHT ANGLE 4X

PRODUCT CUSTOMER DRAWING

DOCUMENT NUMBER: SD-171982-1000
DOC TYPE: PSD
DOC PART: 001
REVISION: J3

MATERIAL NUMBER: GENERAL MARKET
CUSTOMER: GENERAL MARKET
SHEET NUMBER: 5 OF 6

REVISION	DATE	DISCRIPTION
J2	8/10/2021	UPDATE THE DATE CODE. SHEET 2/SHEET 3 From "MX YYDD" update to "MX YYDDD"
J3	3/25/2022	SHEET 1:CORRECT THE PS No. FROM PS-171982-0001 TO PS-173162-0001

FUNCTIONAL SYMBOLS = 0 = 0 = 0 DIVISIONAL SYMBOLS 3 PLACES ± 2 PLACES ± 0.13 1 PLACE ± 0.25 0 PLACES ±	THIS DRAWING CONTAINS INFORMATION THAT IS PROPRIETARY TO MOLEX ELECTRONIC TECHNOLOGIES, LLC AND SHOULD NOT BE USED WITHOUT WRITTEN PERMISSION		
	DIMENSION UNITS: mm SCALE: 1:1	CURRENT REV DESC:	
	GENERAL TOLERANCES (UNLESS SPECIFIED) ANGULAR TOL ± 0.5°	EC NO: 701025 DRWN: ABELD2 CHK'D: JKACHLIC APPR: JKACHLIC	2022/03/25 2022/03/31 2022/03/31
	DRAFT WHERE APPLICABLE MUST REMAIN WITHIN DIMENSIONS	THIRD ANGLE PROJECTION 	DRAWING: C-SIZE SERIES: 171982
DOCUMENT NUMBER: SD-171982-1000		DOC TYPE: PSD DOC PART: 001 REVISION: J3	 NANO-PITCH I/O RIGHT ANGLE 4X PRODUCT CUSTOMER DRAWING
MATERIAL NUMBER: GENERAL MARKET		CUSTOMER: GENERAL MARKET	SHEET NUMBER: 6 OF 6