



ET-2242U

Ethernet I/O Module with 16-ch Sink-/Source-type DO

Features

- Built-in Web Server
- Support Modbus TCP/UDP and MQTT Protocols
- Powerful 32-bit MCU Handles Efficient Network Traffic
- 2-port Ethernet Switch (LAN Bypass) for Daisy-Chain Wiring
- Dual Watchdog
- I/O Pair Connection (Push and Poll)
- Supports web configuration and firmware update via Ethernet
- 16-ch digital output selectable as either sink- or source-type via wire connection
- LED Display to Indicate the I/O status



Introduction

The ET-2242U provides 16 sink- or source-type Digital Output channels by wire connection and each channel can drive 500 mA load. There are configurable power-on and safe values for digital output. With 2 Ethernet ports, the ET-2242U allows daisy chain connection which permits the flexibility in locating devices, eases installation and lowers infrastructure costs. It features 8 kV ESD protection, 4 kV EFT protection, 3 kV surge and 3000 VDC I/O isolation to enrich the noise protection ability for industrial environment.

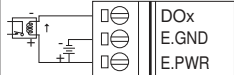
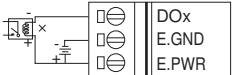
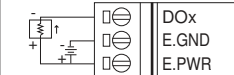
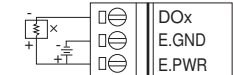
System Specifications

System		
CPU		32-bit ARM
Communication		
Ethernet Port		2 x RJ-45, 10/100 Base-TX, Switch Ports
Protocol		Modbus TCP, Modbus UDP, and MQTT
Security		Password and IP Filter
I/O Pair Connection		Yes (Push, Poll)
Dual Watchdog		Yes, Module, Communication (Programmable)
LAN Bypass		Yes
LED Indicators		
System Running		Yes
Ethernet Link/Act		Yes
DI/DO status		Yes
2-Way Isolation		
Ethernet		1500 VDC
I/O		3000 VDC
EMS Protection		
ESD (IEC 61000-4-2)		±8 kV Contact for Each Terminal and ±15 kV Air for Random Point
EFT (IEC 61000-4-4)		±4 kV for Power Line
Surge (IEC 61000-4-5)		±2 kV for Power Line
Power		
Reverse Polarity Protection		Yes
Powered from Terminal Block		+10 ~ +48 VDC
Consumption	24 VDC	2.3 W (Max.)
	48 VDC	2.6 W (Max.)
Mechanical		
Dimensions (mm)		33 x 127 x 99 (W x L x H)
Installation		DIN-Rail Mounting
Environment		
Operating Temperature		-25 ~ +75°C
Storage Temperature		-30 ~ +80°C
Humidity		10 ~ 90% RH, Non-condensing

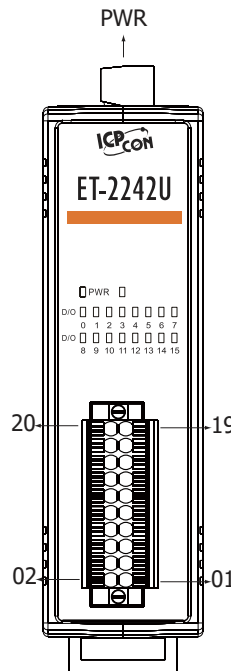
I/O Specifications



Digital Output	
Channels	16
Type	Open Collector
Sink/Source (NPN/PNP)	Sink
Load Voltage	+3.5 V ~ +80 V
Max. Load Current	500 mA/Channel
Overload Protection	-
Overvoltage Protection	-
Power-on Value	Yes (Programmable)
Safe Value	Yes (Programmable)

Wire Connections

Output Type	ON State Readback as 1	OFF State Readback as 0
Sink		
Source		

Pin Assignments



Terminal No.	Pin Assignment
	FG.
PWR	GND
	+ Vs
ETH1	
ETH2	





Pin Assignment	Terminal	No.	Pin Assignment
DO7	20	19	DO15
DO6	18	17	DO14
DO5	16	15	DO13
DO4	14	13	DO12
DO3	12	11	DO11
DO2	10	09	DO10
DO1	08	07	DO9
DO0	06	05	DO8
DO.COM	04	03	DO.COM
DO.COM	02	01	DO.COM

20-pin Connector

Ordering Information

ET-2242U CR	Ethernet I/O Module with 2-port Ethernet Switch, 16-ch Sink-/Source-type Digital Output (RoHS)
-------------	--

Related Products

 NS-205 CR	Unmanaged 5-Port Industrial Ethernet Switch with Power Input +10 ~ +30 VDC (RoHS)
 NS-208 CR	Unmanaged 8-port Industrial 10/100 Base-TX Ethernet Switch with Power Input +10 ~ +30 VDC (RoHS)
 DIN-KA52F CR	24 V/1.04 A, 25 W Power Supply with DIN-Rail Mounting (RoHS)
 GPSU06U-6	24 V/0.25 A (max.) Power Supply