

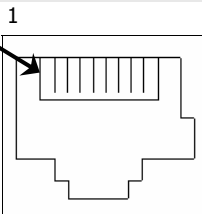
## Cable Adapters

### Digi TS, RJ-45 to DB-9 Modem Adapter

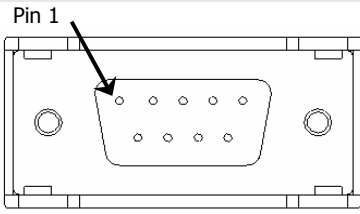
For use with Digi One TS, Portserver TS 2/4/8/16, and Multi-Port Serial Cards with RJ45 connectors

Digi Cable Adapters allow you to connect your serial devices using commercially available CAT 5 cable of any length. Simply plug standard CAT 5 cable into your Digi Product, connect a Cable Adapter to the other end and plug the adapter into your device.

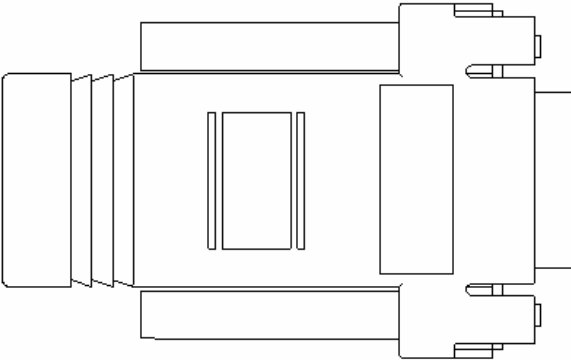
From RJ-45	Signal	Direction	Signal	To DB-9
1	DCD	←	DCD	1
			DSR	6
2	RTS	→	RTS	7
3	Ground	↔	Ground	Shell
4	TxD	→	TxD	3
5	RxD	←	RxD	2
6	SG	↔	SG	5
7	CTS	←	CTS	8
8	DTR	→	DTR	4



Female RJ-45  
8-pin



Male DB-9



Cable Adapter not to scale

\* Arrows indicate which direction the signal is flowing

#### Notes:

- All RJ45 cable adapters are 8-pin.
- When using this adapter with a modem or other applications that require DCD on pin 1, you must turn on altpin.
- If altpin is turned off, the hardware signal on pin 1 becomes DSR instead of DCD.
- This cable utilizes the CTS signal of the modem for hardware flow control (RTS/CTS).

Digi Part Number 76000701     Digi TS DB9M Modem Adapter (4-pack)