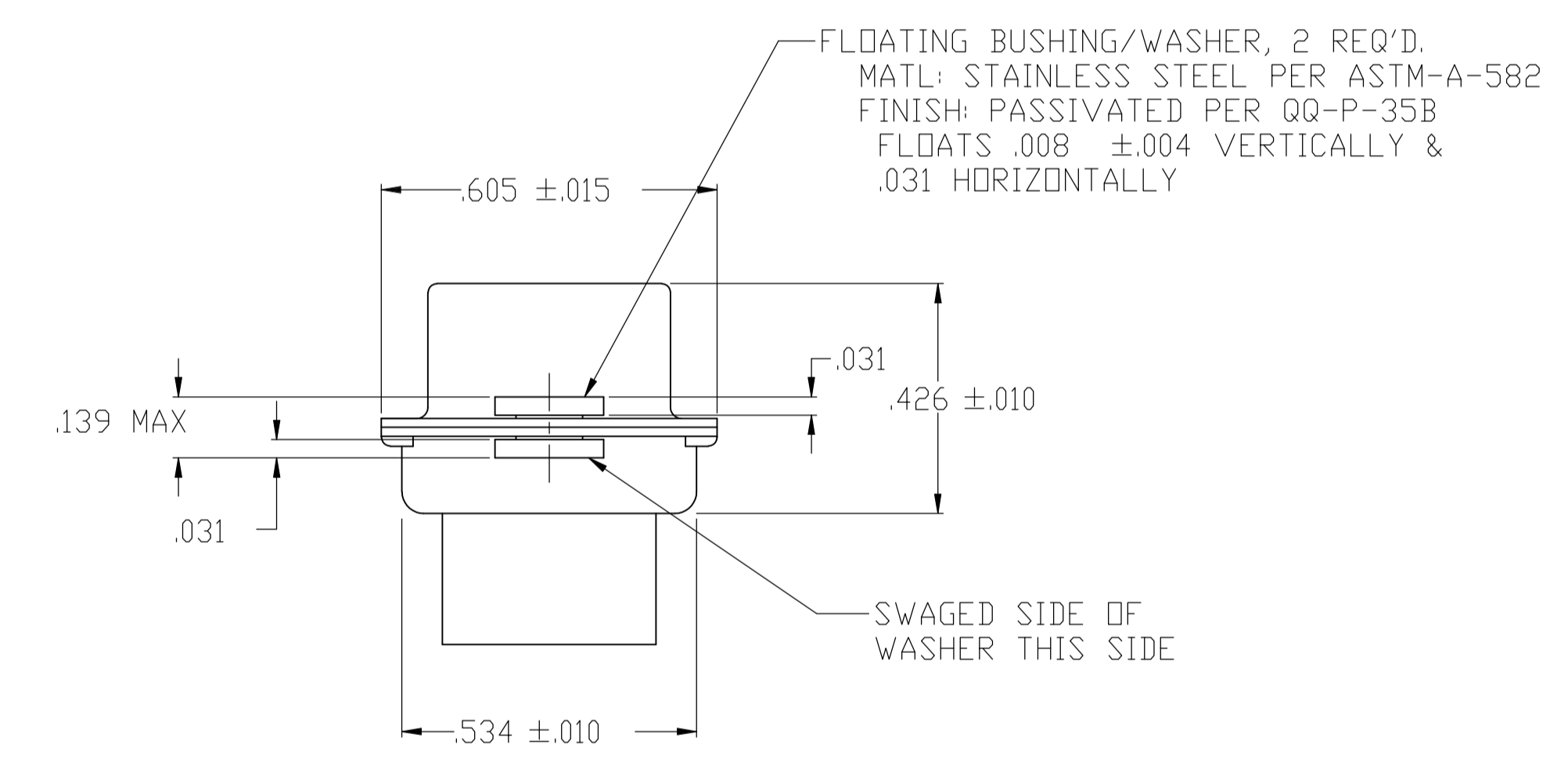
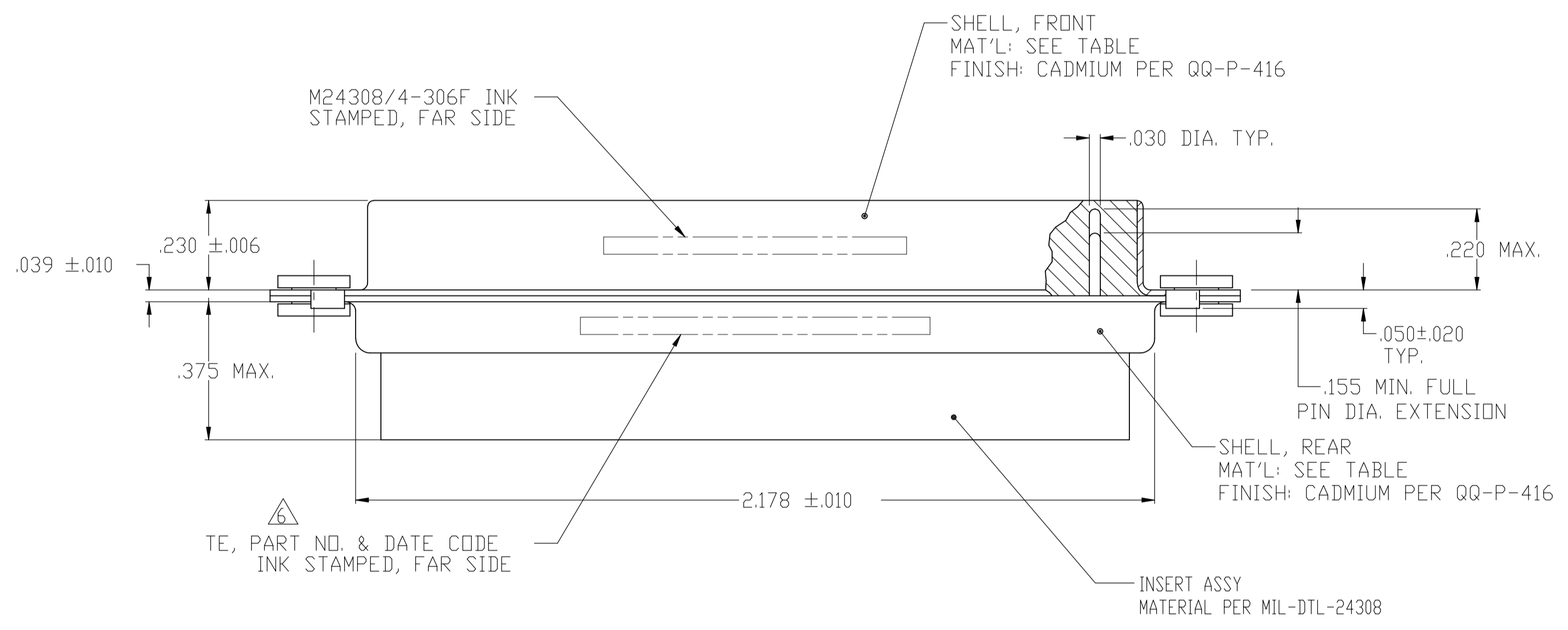
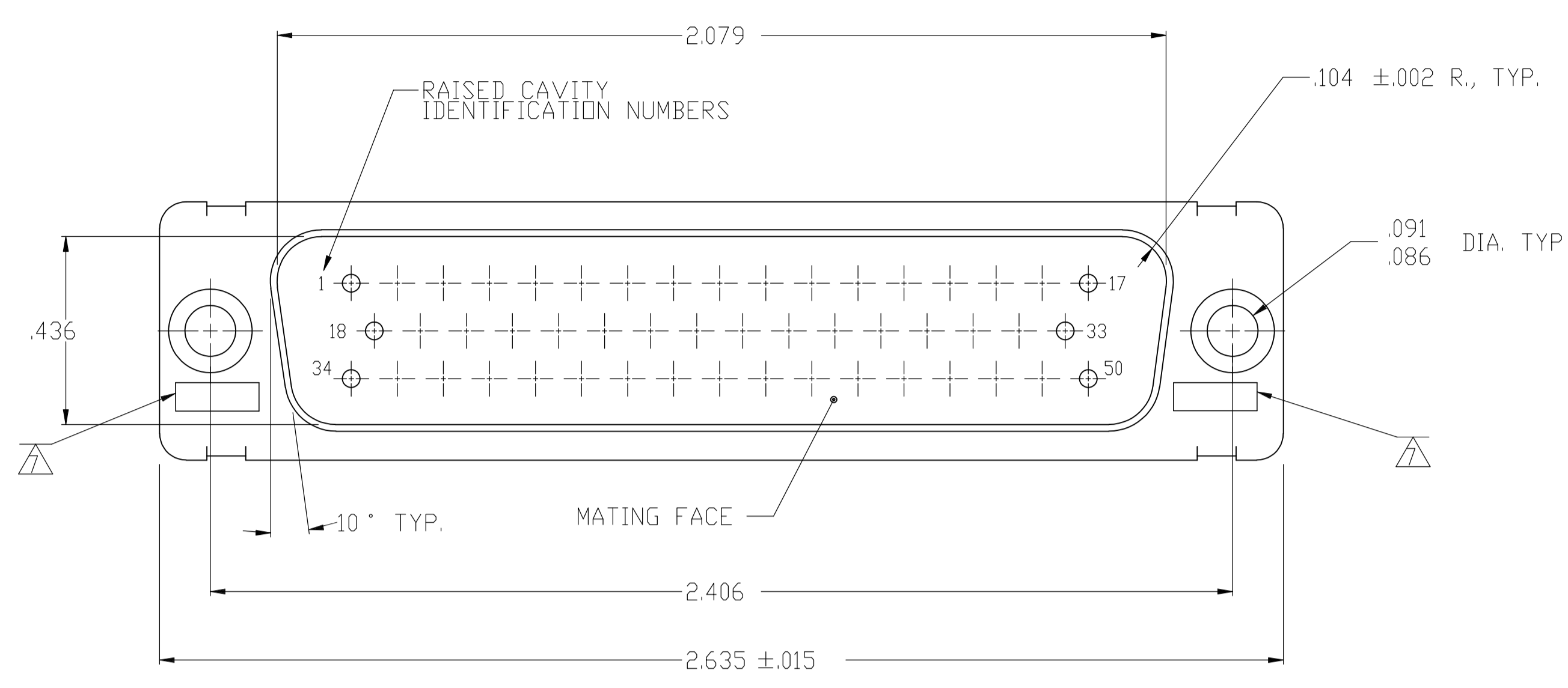


LOC		DIST		REVISIONS			
P	LTR	DESCRIPTION	DATE	DWN	APVD		
N	REV PER	ECO-15-016062	10NOV15	KG	CD		



- THIS PLUG IS DESIGNED TO CONFORM TO THE LATEST ISSUE OF MIL-C-24308
 - MAX WIRE INSUL. TO BE USED WITH THIS PLUG IS .068 DIA.
 - STAINLESS STEEL RETENTION CLIPS ARE INCLUDED IN INSERTS
 - PACKAGE STAMPED M 24308/4-328F
 - THIS PLUG WILL ACCEPT SIZE 20 PIN CONTACT M24308/11 OR TE P/N 205089
- TE PART NO. STAMPED ON CONNECTOR REPRESENTS KIT NUMBER WITH CONTACTS
 UL/CSA DESIGNATION STAMPED IN THIS AREA.

OBSELETE	BRASS	205415-2
	STEEL PER ASTM-A-109	205415-1
	SHELL MAT'L	TE PART NO

THIS DRAWING IS A CONTROLLED DOCUMENT.

DIMENSIONS: INCHES	TOLERANCES UNLESS OTHERWISE SPECIFIED:	DIN C.C.THOMAS 12-SEP-87	APVD D.J.M. 12-OCT-87	NAME AMPLIMITE PLUG FOR PIN CONTACTS HI-DENSITY HDM-20 CONNECTOR SIZE 5 (50 POSN) SERIES 109 WITH FLOAT BUSHINGS
0. PLC ± -	1. PLC ± -	CHK F.C.BALLEW III 12-OCT-87	PRODUCT SPEC	APPLICATION SPEC
2. PLC ± -	3. PLC ± .005		SIZE A1	SCALE 4:1
4. PLC ANGLES ± # 0'30"			WEIGHT	SHEET 1 OF 1
MATERIAL	FINISH		CUSTOMER DRAWING	REV N

TE Connectivity
 DRAWING NO. 00779
 SCALE 4:1 SHEET 1 OF 1 REV N