



**ANATECH ELECTRONICS INC**  
RF & Microwave Filters & Products

## 13.66 MHz LC Band Pass Filter

Part Number: AE13.66B6202



### Electrical Specifications

**Center Frequency:** 13.66 MHz

**Passband:** 13.16-14.16 MHz

**Insertion Loss:** 10.0dB Max.

**Return Loss:** 14dB Min.

**Rejection:**  $\geq 50\text{dB}$  @ 8.196 MHz

**Rejection2:**  $\geq 40\text{dB}$  @ 9.56 MHz

**Rejection3:**  $\geq 40\text{dB}$  @ 12.29 MHz

**Rejection4:**  $\geq 50\text{dB}$  @ 19.124 MHz

### Mechanical

**Connector Type:** PC-Mount

**Dimensions:** 1.5" X 0.5" x 0.4" .

### Environmental

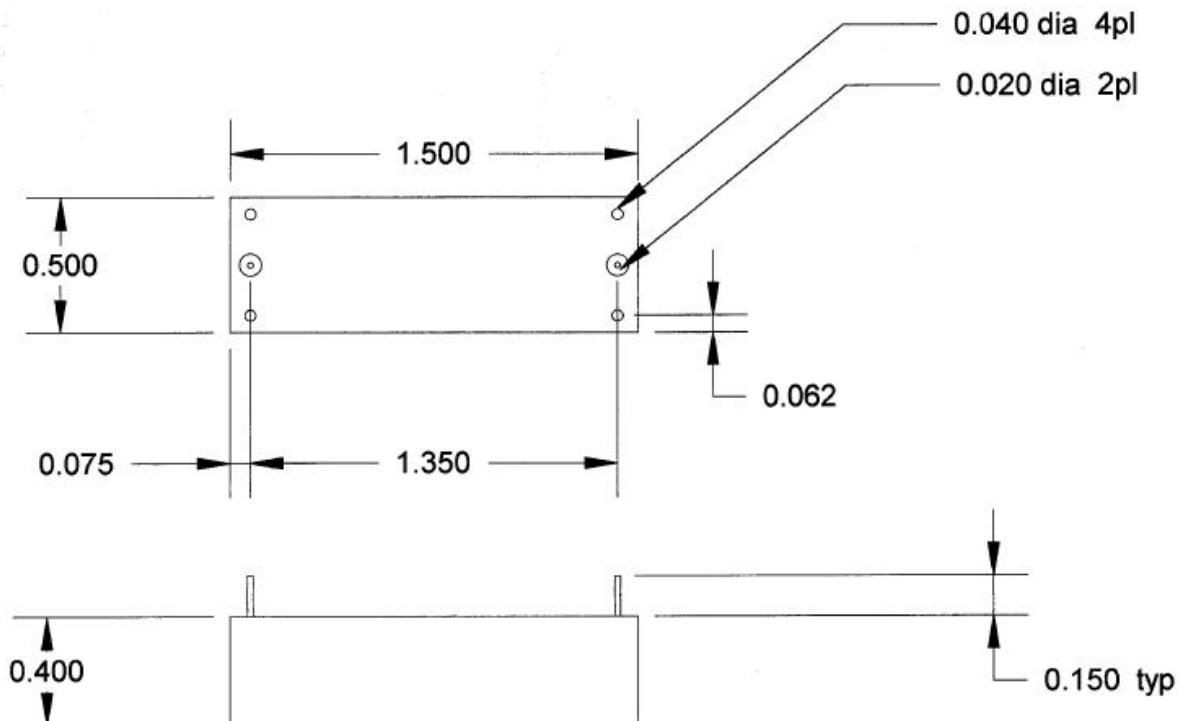
**Operating Temperature:** -25°C to +70°C

**Storage Temperature:** -40°C to +90°C

**Shock:** 10 G. 11ms

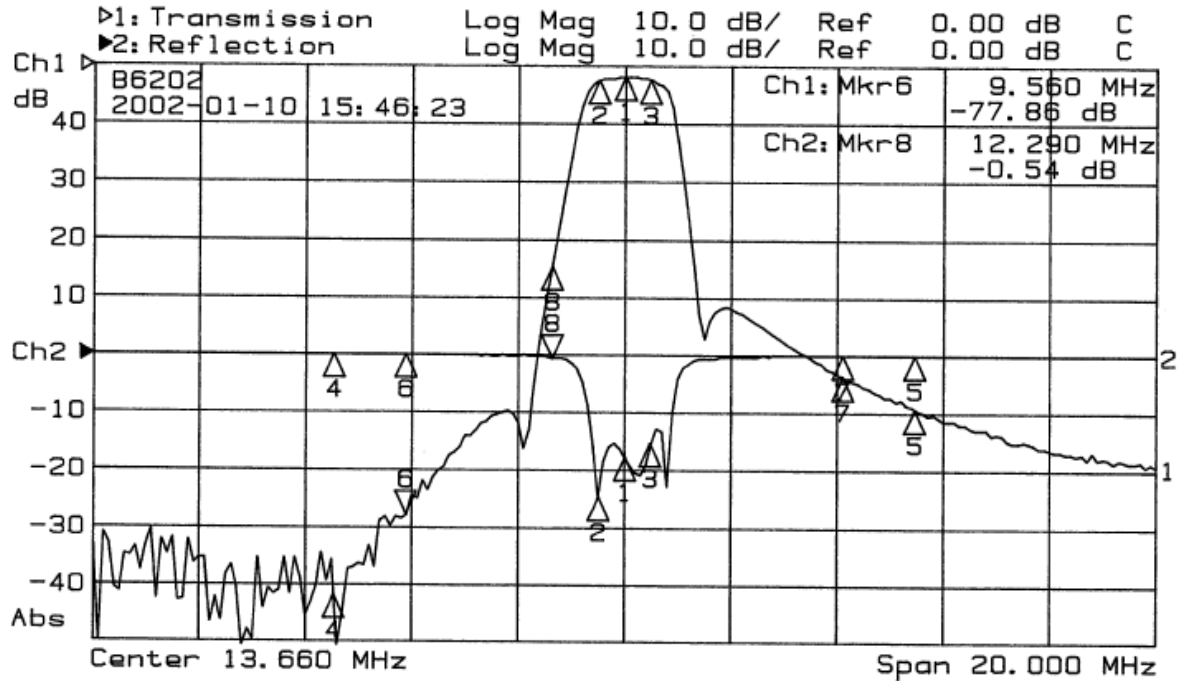
**Vibration:** 10 G. 5 to 200Hz

### Outline Drawing:





**Response Plot:**



1: Mkr (MHz)	dB	2: Mkr (MHz)	dB		
1:	13.66	-1.97	1:	13.66	-17.83
2:	13.16	-2.58	2:	13.16	-24.75
3:	14.16	-2.55	3:	14.16	-15.32
4:	8.20	-91.96	4:	8.20	-0.05
5:	19.12	-59.46	5:	19.12	-0.04
6>	9.56	-77.86	6:	9.56	-0.09
7:	17.76	-53.84	7:	17.76	-0.04
8:	12.29	-34.63	8>	12.29	-0.54