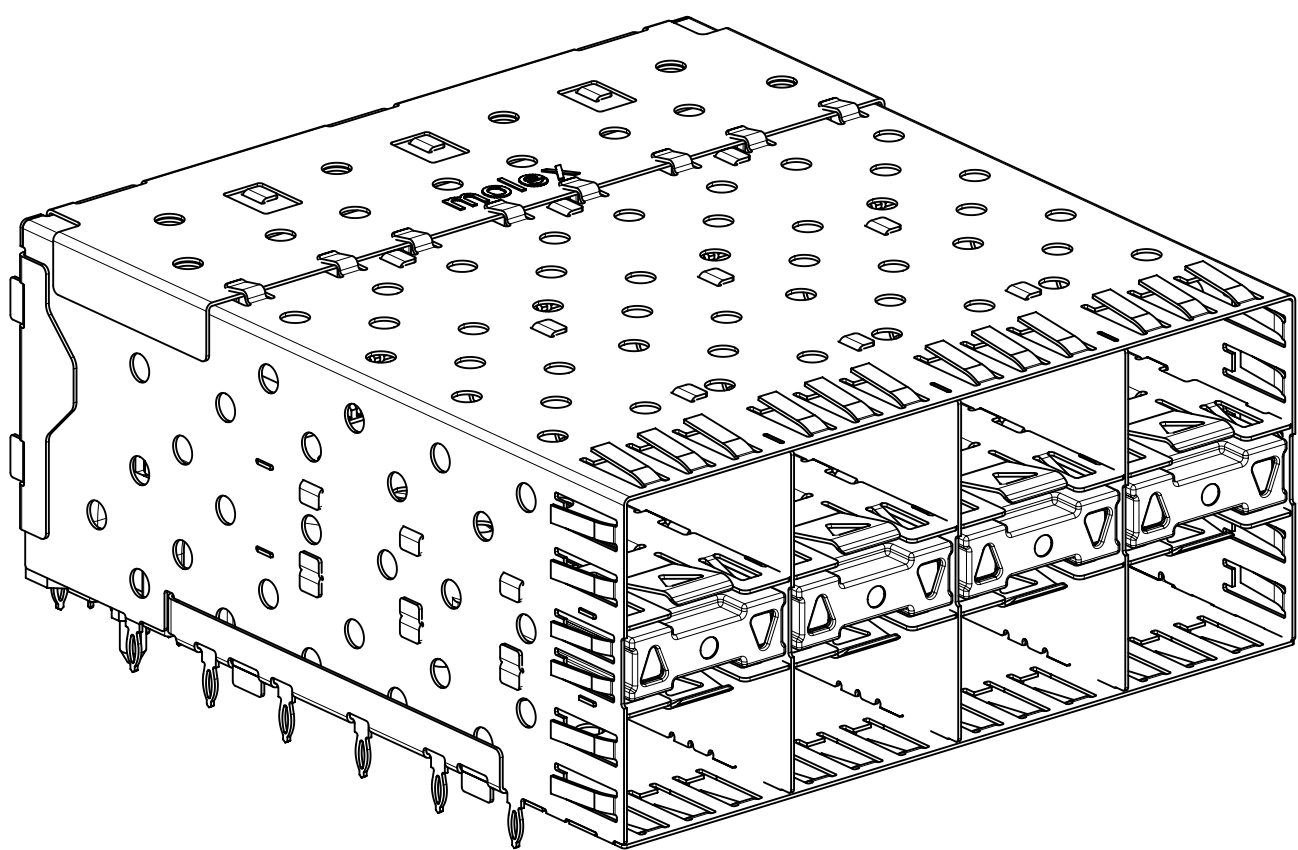
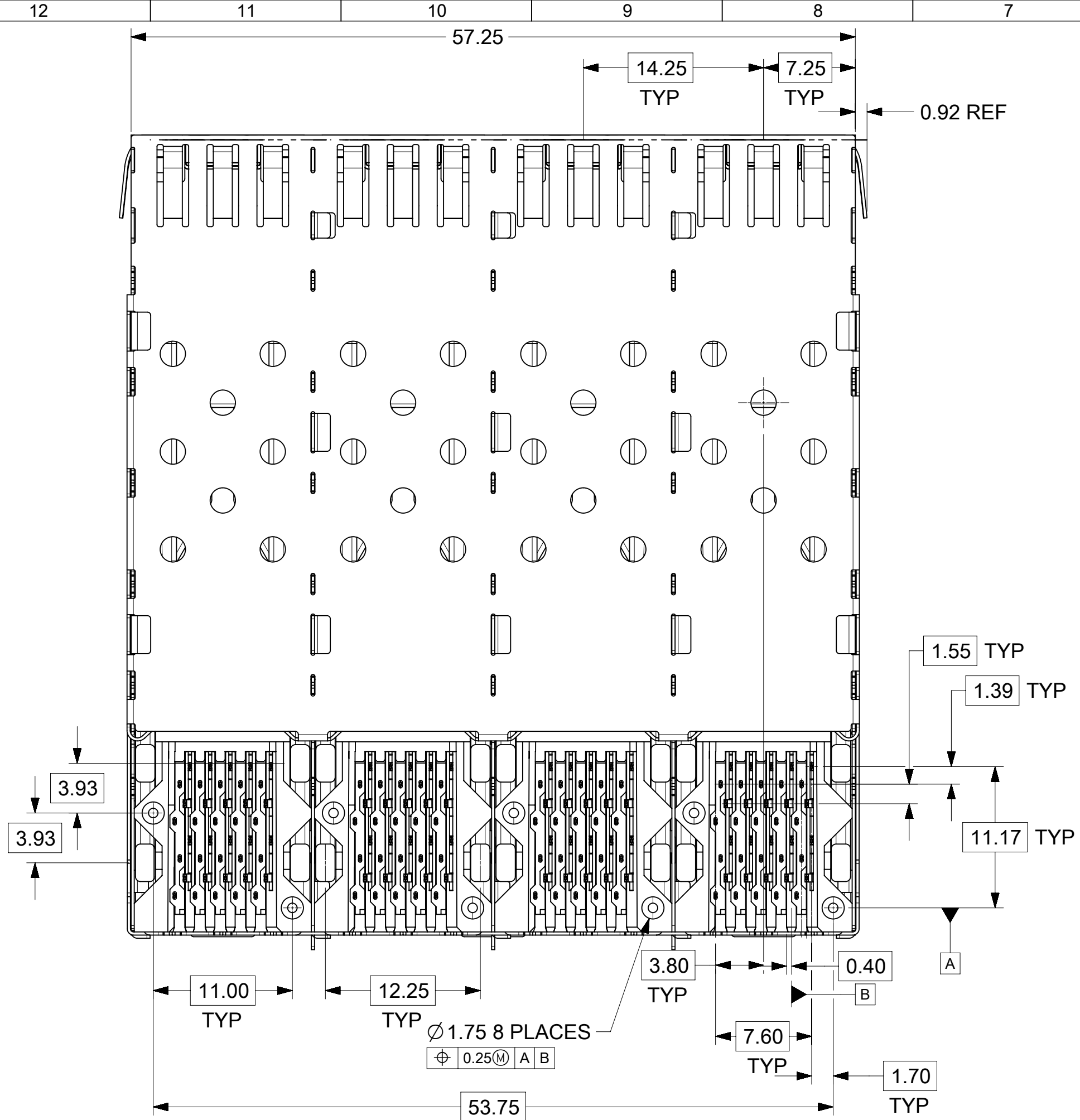


- NOTES:**
- MATERIAL:**
 CAGE: NICKEL SILVER, THICKNESS: 0.25mm
 CONNECTOR HOUSING: GLASS FILLED LIQUID CRYSTAL POLYMER (LCP), UL 94V-0, COLOR: BLACK
 OVERMOLD TERMINAL HOUSING: GLASS FILLED LIQUID CRYSTAL POLYMER (LCP), UL 94V-0, COLOR: BLACK
 TERMINALS: TIN BRASS
 EMI GASKET: PHOS-BRONZE
 LIGHTPIPE HOUSING: ZINC
 LIGHTPIPES: POLYCARBONATE, COLOR: CLEAR
 - FINISHES:**
 CAGE ASSY(APPLIES TO VERSIONS WITH PLATED CAGES): 25 MICROMETERS MINIMUM MATTE NICKEL OVER 2 MICROMETERS MINIMUM COPPER.
 TERMINALS: CONTACT AREA: 0.76 MICROMETERS MINIMUM HARD GOLD OVER 1.27 MICROMETERS MINIMUM NICKEL.
 COMPLIANT TAIL - MATTE TIN/LEAD OPTION: 0.76 TO 1.52 MICROMETERS 90/10 MATTE TIN-LEAD OVER 0.76 MICROMETERS MINIMUM NICKEL.
 COMPLIANT TAIL - MATTE TIN OPTION: 0.76 TO 1.52 MICROMETERS MATTE TIN OVER 0.76 MICROMETERS MINIMUM NICKEL.
 LIGHT PIPE HOUSING: 80 MICROMETERS MINIMUM NICKEL OVER COPPER
 EMI GASKET: 2.54 MICROMETERS MINIMUM NICKEL OVERALL
 - REFER TO PS-75310-001 PRODUCT SPEC FOR ALL ELECTRICAL, MECHANICAL, AND ENVIRONMENTAL SPECIFICATIONS.
 - LIGHTPIPE PAD LAYOUT IS FOR O805 LOW-PROFILE LED PACKAGE, FOR OTHER RECOMMENDED LAYOUTS REFER TO MOLEX'S REPORT TS-75310-001.
 - REFER TO PK-75450-001 FOR ALL PACKAGING SPECIFICATIONS.
 - THE SURFACES CONFORM TO THE MOLEX COSMETIC SPEC PS-45499-002.
 ALL EXTERIOR SURFACES TO BE CLASS "B" SURFACE EXCEPT THE UNDERSIDE (CLASS "C") OF THE CAGE (SIDE TOWARD THE PCB) AND AS OTHERWISE NOTED.
 - DATE CODE LOCATION IS SHOWN ABOVE.
 DATE CODE FORMAT: DDDY MX A1
 DDD = DAY OF THE YEAR
 Y = YEAR
 MX = MOLEX
 A = ALPHA CHARACTER - INDICATES MANUFACTURING LINE
 1 = NUMERIC CHARACTER - INDICATES PRODUCTION SHIFT
 - REFER TO AS-76090-001 FOR HIGH SPEED ROUTING RECOMMENDATIONS.

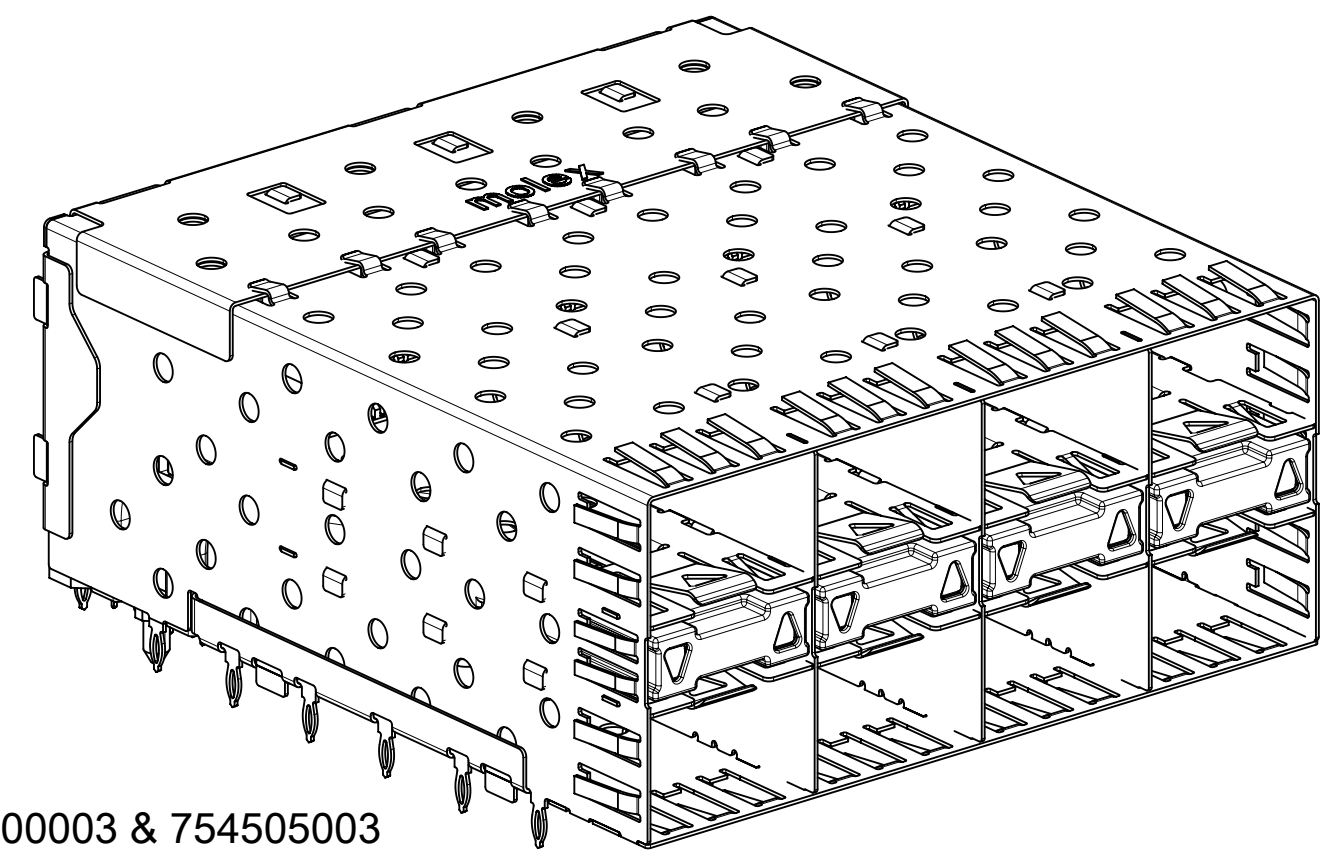
PART NUMBER	LIGHTPIPE CONFIGURATION (SEE VIEWS ON SHEET 2)	COMPLIANT TAIL PLATING	CAGE PLATING
754500001	ALL 4 PORTS	MATTE TIN-LEAD	NONE
754500002	INNER 2 PORTS	MATTE TIN-LEAD	NONE
754500003	OUTER 2 PORTS	MATTE TIN-LEAD	NONE
754501001	ALL 4 PORTS	MATTE TIN-LEAD	POST-PLATED
754505001	ALL 4 PORTS	MATTE TIN	NONE
754505002	INNER 2 PORTS	MATTE TIN	NONE
754505003	OUTER 2 PORTS	MATTE TIN	NONE
754505004	OUTER 2 PORTS - SPECIAL CONFIG	MATTE TIN	NONE

THIS DRAWING CONTAINS INFORMATION THAT IS PROPRIETARY TO MOLEX ELECTRONIC TECHNOLOGIES, LLC AND SHOULD NOT BE USED WITHOUT WRITTEN PERMISSION

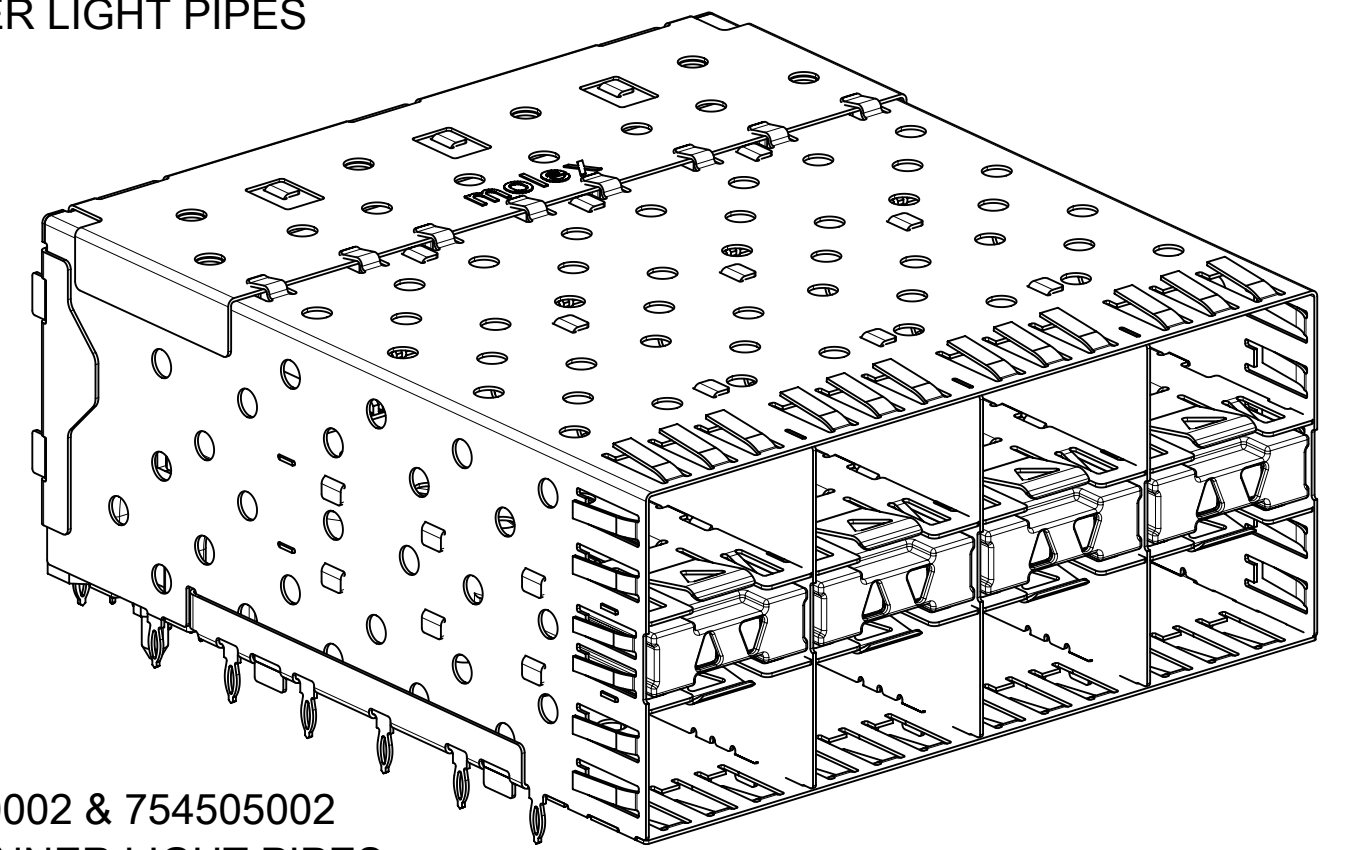
SYMBOLS	DIMENSION UNITS mm	SCALE 3:1	CURRENT REV DESC: UPDATED TO NEW PINS
▽ = 0	GENERAL TOLERANCES (UNLESS SPECIFIED)		EC NO: 600173 DRWN: RWHIPPLE 2018/05/10 CHK'D: SVANG01 2018/05/11 APPR: CHIRSCHY 2018/06/01
▽ = 0	ANGULAR TOL ± 5.0°		
▽ = 0	4 PLACES ±		INITIAL REVISION: DRWN: JLONG 2004/10/21 APPR: RNELSON 2004/10/28
▽ = 0	3 PLACES ±		
▽ = 0	2 PLACES ± 0.13		DOCUMENT NUMBER SD-75450-001
▽ = 0	1 PLACE ± 0.25		
▽ = 0	0 PLACES ±		DOC TYPE PSD
□ = 0	DRAFT WHERE APPLICABLE MUST REMAIN WITHIN DIMENSIONS	THIRD ANGLE PROJECTION	DOC PART 001
▽ = 0		DRAWING C-SIZE	DOC PART J
		SERIES 75450	REVISION 1
		MATERIAL NUMBER SEE TABLE	CUSTOMER GENERAL MARKET
			SHEET NUMBER 1 OF 5



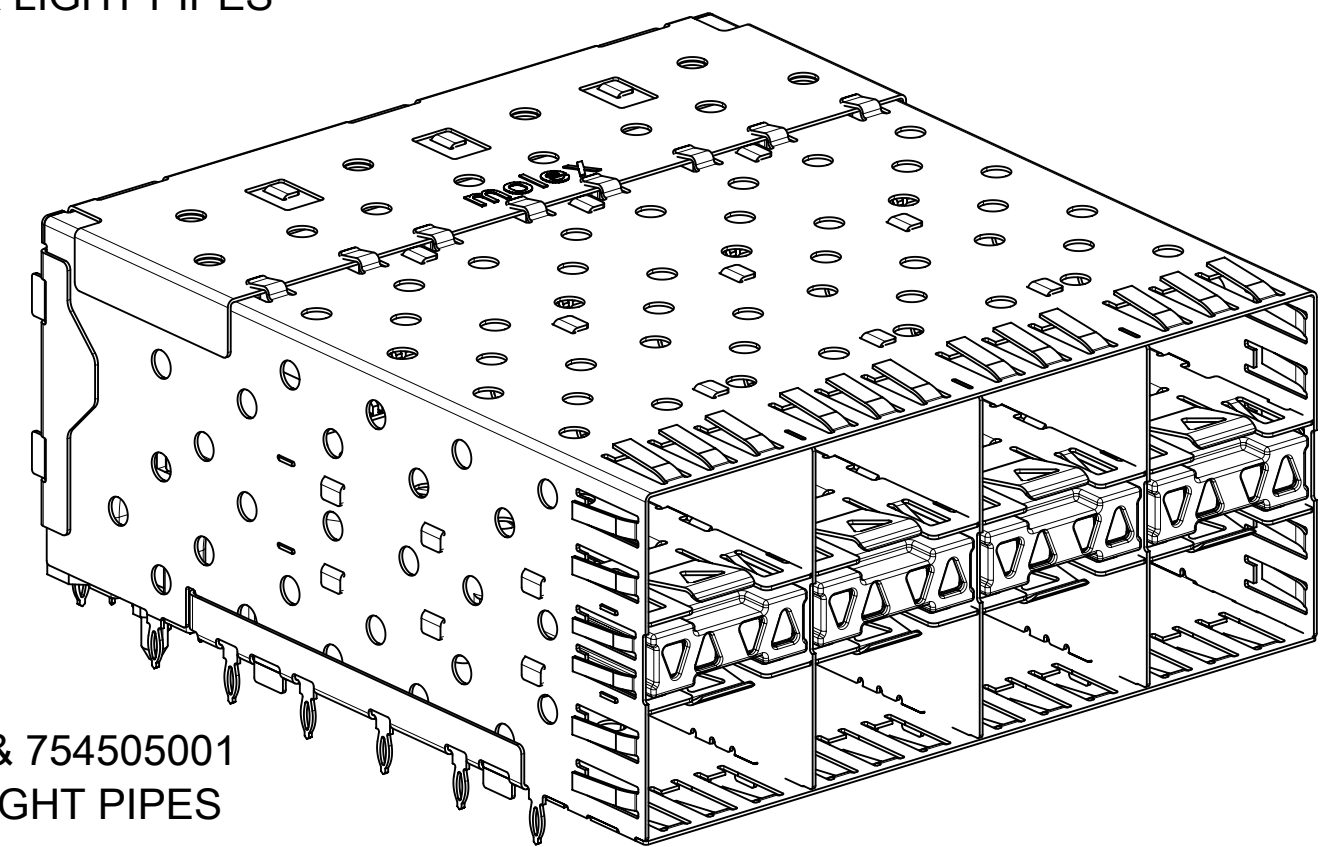
754505004
WITH OUTER LIGHTPIPES



754500003 & 754505003
WITH OUTER LIGHT PIPES

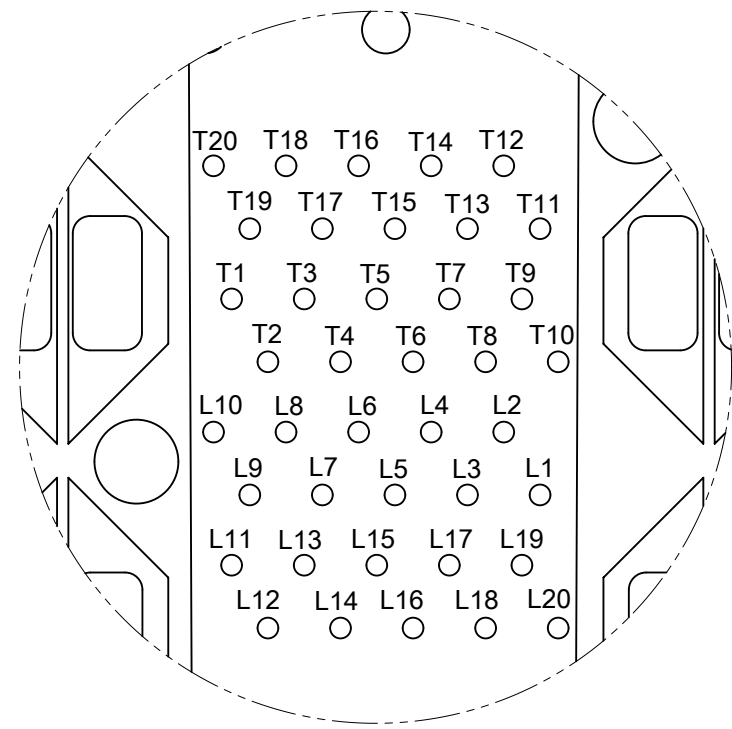


754500002 & 754505002
WITH INNER LIGHT PIPES

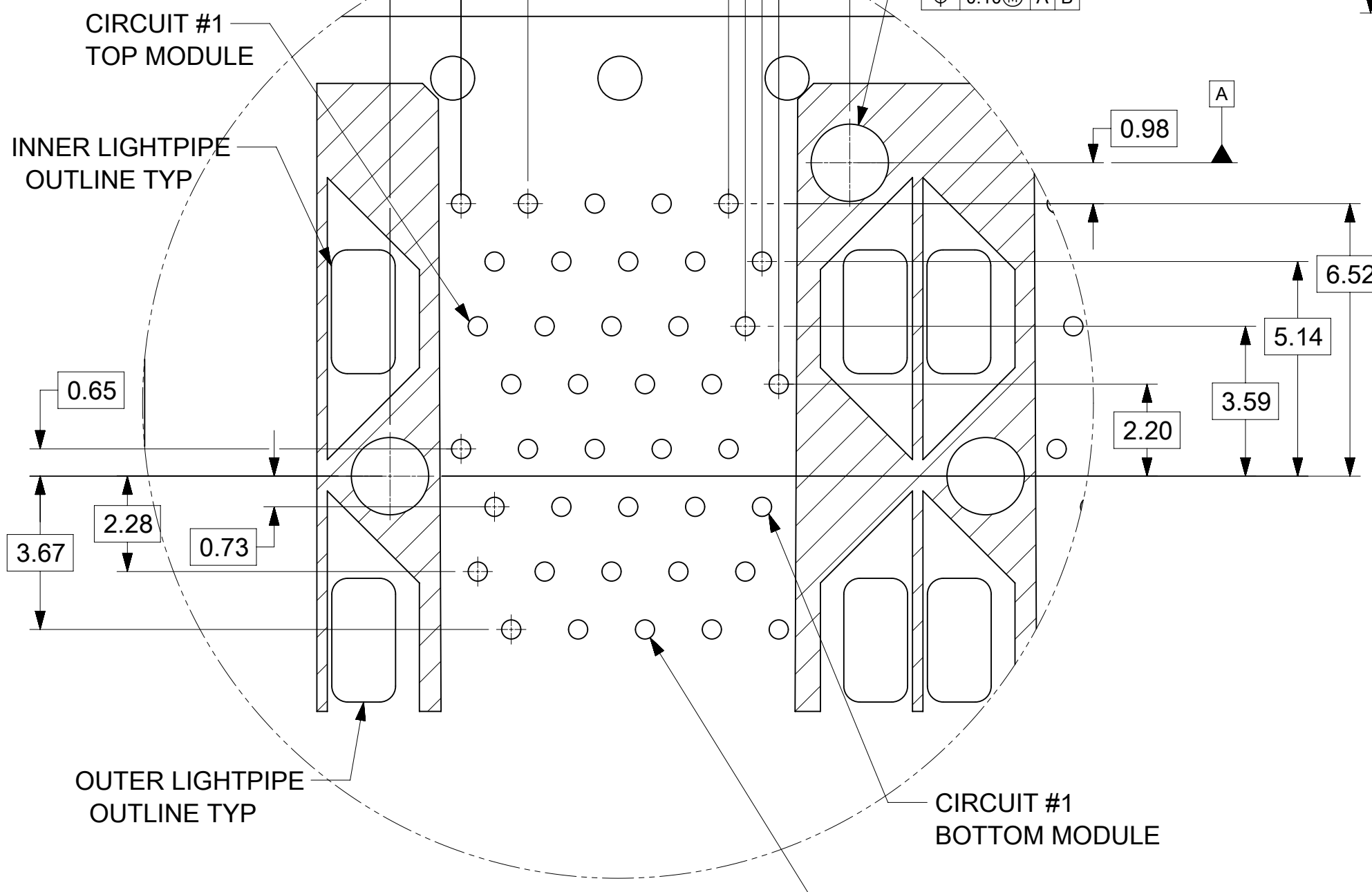
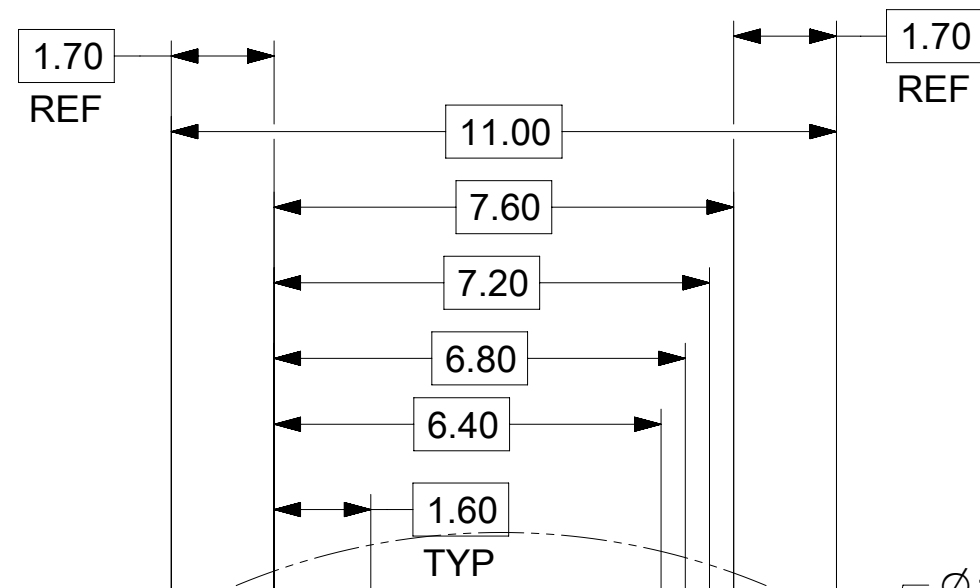


754500001, 754501001 & 754505001
WITH INNER/OUTER LIGHT PIPES

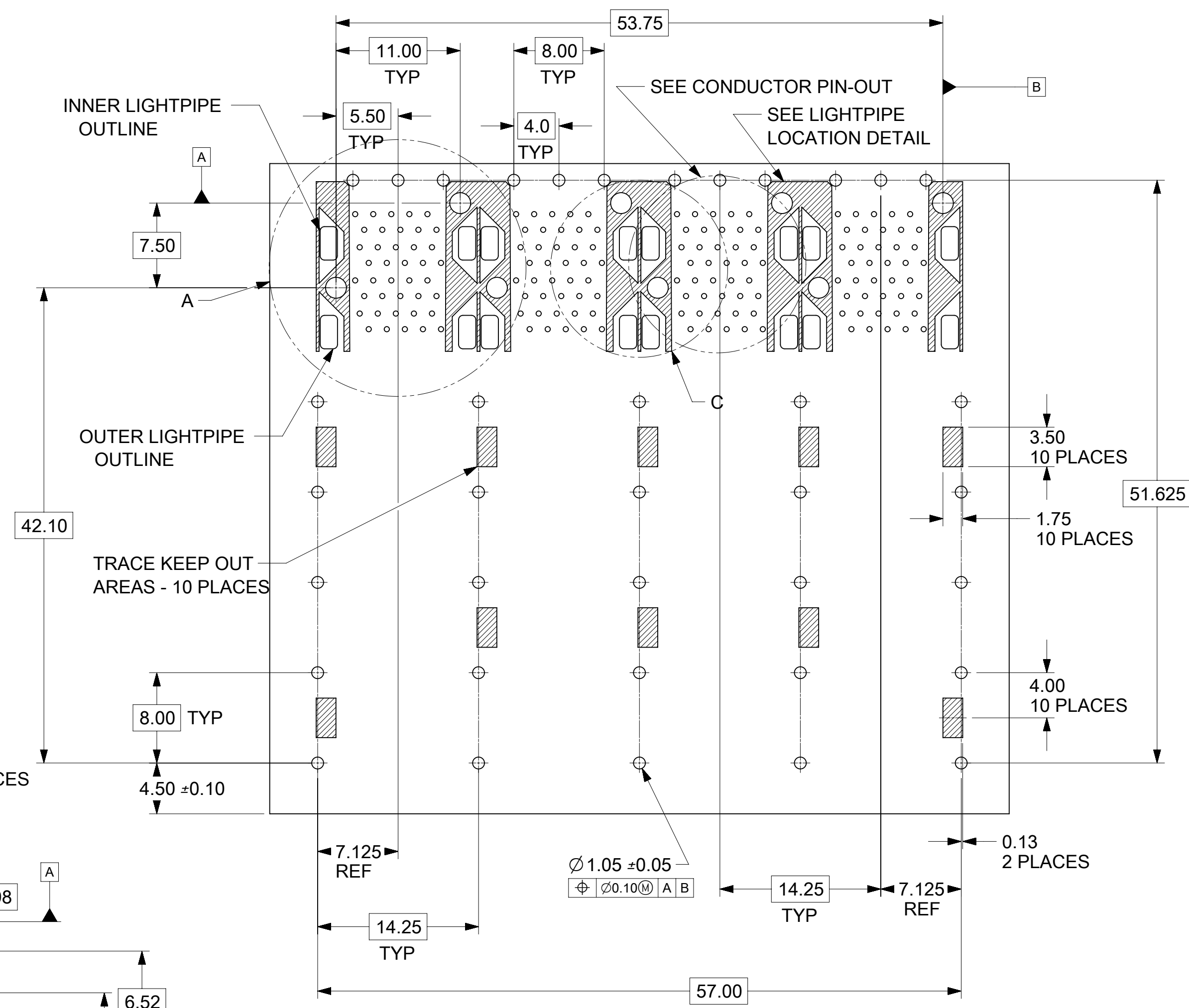
THIS DRAWING CONTAINS INFORMATION THAT IS PROPRIETARY TO MOLEX ELECTRONIC TECHNOLOGIES, LLC AND SHOULD NOT BE USED WITHOUT WRITTEN PERMISSION											
SYMBOLS		DIMENSION UNITS	SCALE	CURRENT REV DESC: UPDATED TO NEW PINS							
$\nabla = 0$	mm	3:1									
$\nabla = 0$	GENERAL TOLERANCES (UNLESS SPECIFIED)										
$\nabla = 0$	ANGULAR TOL $\pm 5.0^\circ$										
$\nabla = 0$	4 PLACES	\pm	EC NO: 600173								
$\nabla = 0$	3 PLACES	\pm	DRWN: RWHIPPLE			2018/05/10			2018/05/11		
$\nabla = 0$	2 PLACES	± 0.13	CHK'D: SVANG01			2018/05/11			2018/06/01		
$\nabla = 0$	1 PLACE	± 0.25	INITIAL REVISION:								
$\nabla = 0$	0 PLACES	\pm	DRWN: JLONG			2004/10/21			2004/10/28		
$\nabla = 0$	DRAFT WHERE APPLICABLE MUST REMAIN WITHIN DIMENSIONS		THIRD ANGLE PROJECTION	DRAWING	SERIES						
$\nabla = 0$				C-SIZE	75450						
DOCUMENT STATUS		P1	RELEASE DATE	2018/06/01	05:38:28						
				MATERIAL NUMBER		CUSTOMER		DOC TYPE		DOC PART	
				SEE TABLE		GENERAL MARKET		PSD		001	
								J		J	
				SHEET NUMBER		2 OF 5					



CONNECTOR PIN-OUT
SCALE 6:1

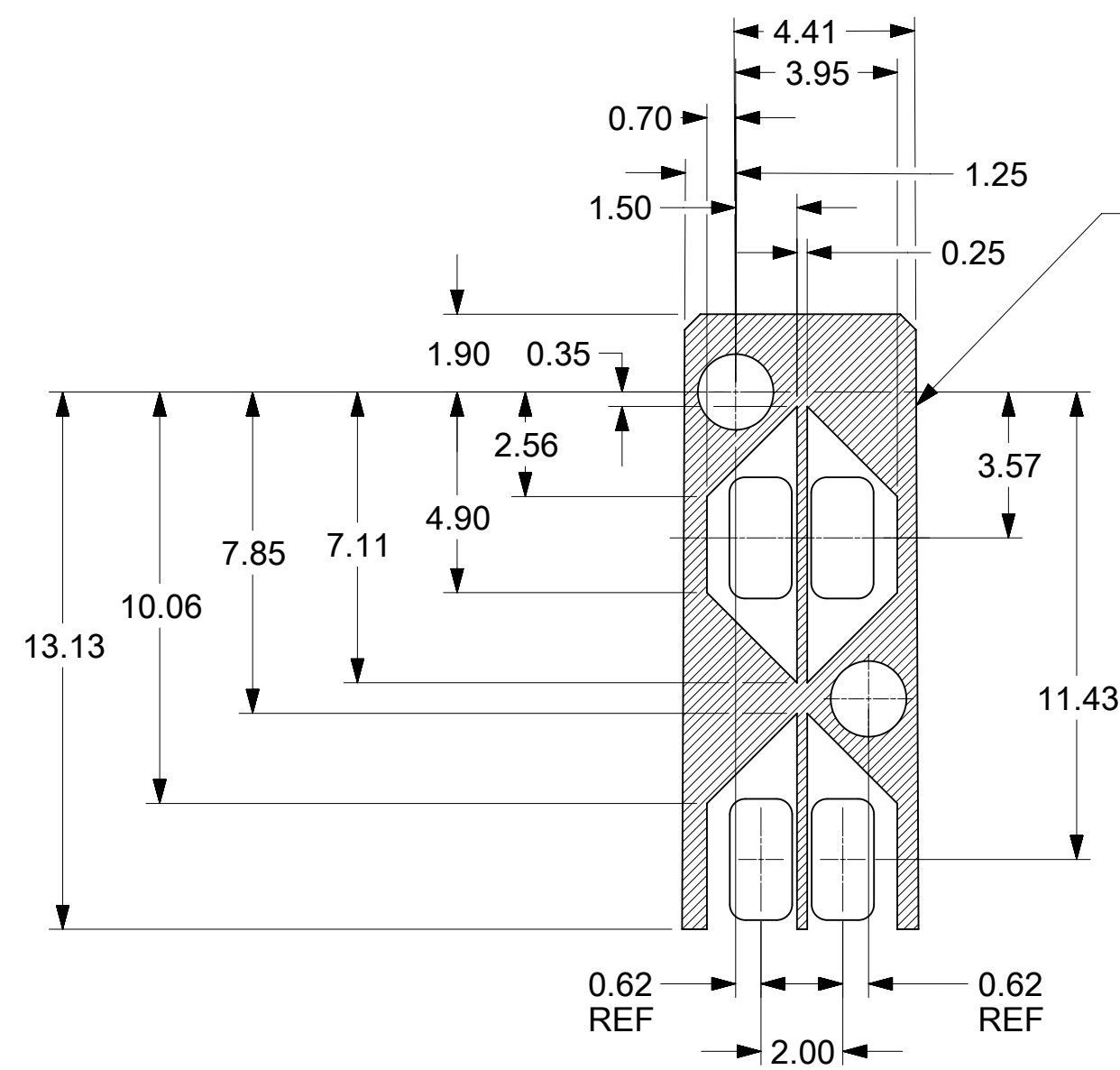


DETAIL A
SCALE 8:1



RECOMMENDED PCB LAYOUT - COMPONENT SIDE
RECOMMENDED PCB THICKNESS - 2.36 MM (.093 INCH)
THE ENTIRE AREA OF THE CONNECTOR FOOTPRINT
TO BE CONSIDERED THE KEEP OUT AREA FOR COMPONENTS
(OTHER THAN LIGHT PIPE LED'S).
THIS AREA IS INDICATED BY THE DASHED LINE

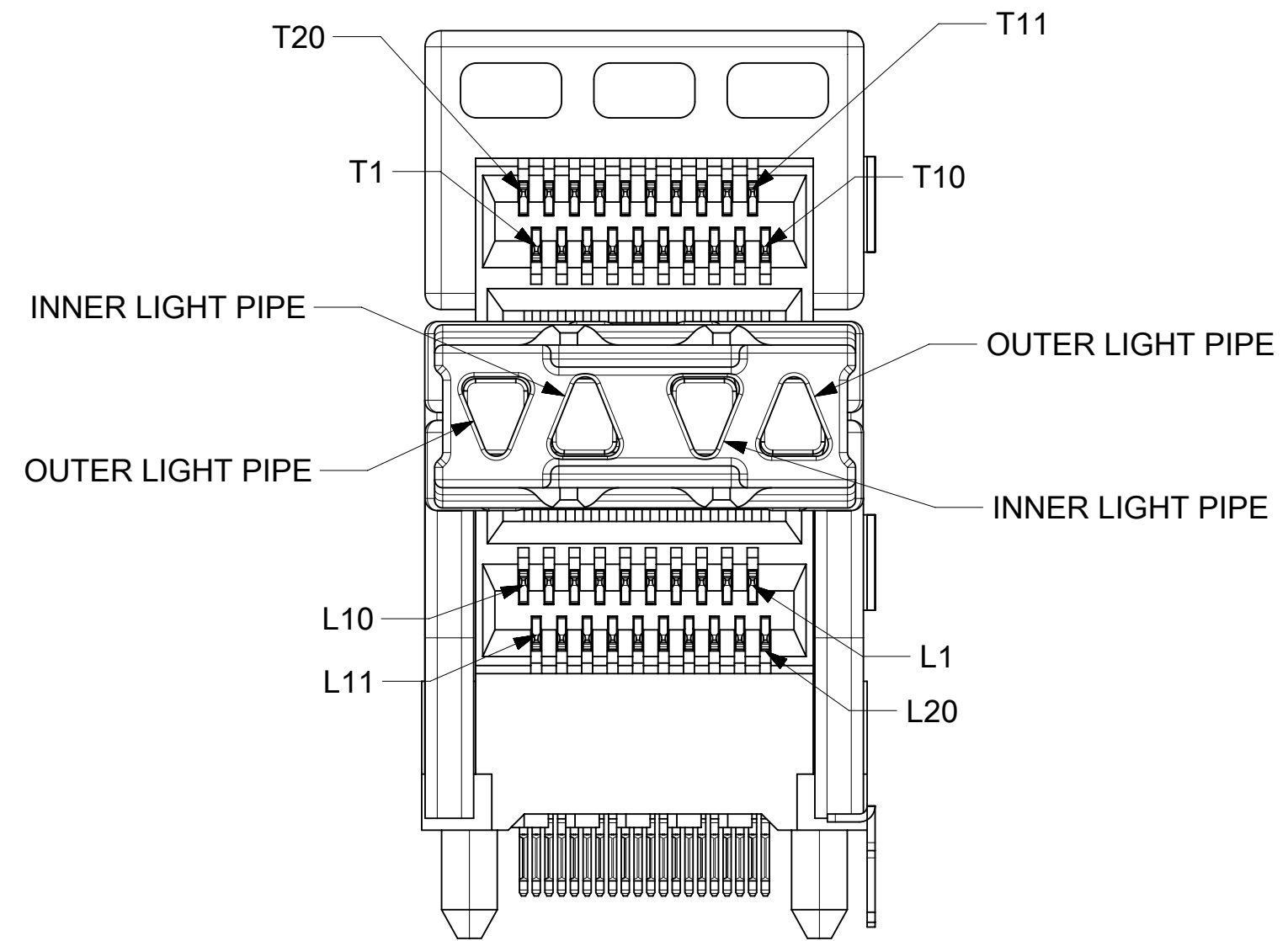
SYMBOLS	THIS DRAWING CONTAINS INFORMATION THAT IS PROPRIETARY TO MOLEX ELECTRONIC TECHNOLOGIES, LLC AND SHOULD NOT BE USED WITHOUT WRITTEN PERMISSION		
	DIMENSION UNITS	SCALE	CURRENT REV DESC: UPDATED TO NEW PINS
▽ = 0	mm	3:1	EC NO: 600173 DRWN: RWHIPPLE 2018/05/10 CHK'D: SVANG01 2018/05/11 APPR: CHIRSCHY 2018/06/01
▽ = 0	GENERAL TOLERANCES (UNLESS SPECIFIED)		
▽ = 0	ANGULAR TOL ± 5.0°		INITIAL REVISION: DRWN: JLONG 2004/10/21 APPR: RNELSON 2004/10/28
▽ = 0	4 PLACES ±		
▽ = 0	3 PLACES ±		DOCUMENT NUMBER SD-75450-001 DOC TYPE PSD DOC PART 001 REVISION J
▽ = 0	2 PLACES ± 0.13		
▽ = 0	1 PLACE ± 0.25		MATERIAL NUMBER SEE TABLE CUSTOMER GENERAL MARKET SHEET NUMBER 3 OF 5
▽ = 0	0 PLACES ±		
▽ = 0	DRAFT WHERE APPLICABLE MUST REMAIN WITHIN DIMENSIONS		THIRD ANGLE PROJECTION DRAWING C-SIZE SERIES 75450



THE HATCHED AREA IN THIS VIEW INDICATES ZONES THAT ARE OCCUPIED BY THE PLASTIC HOUSING THAT SEATS AGAINST THE PCB AND BY THE VERTICAL METAL CAGE WALL THAT STOPS JUST SHORT OF THE PCB

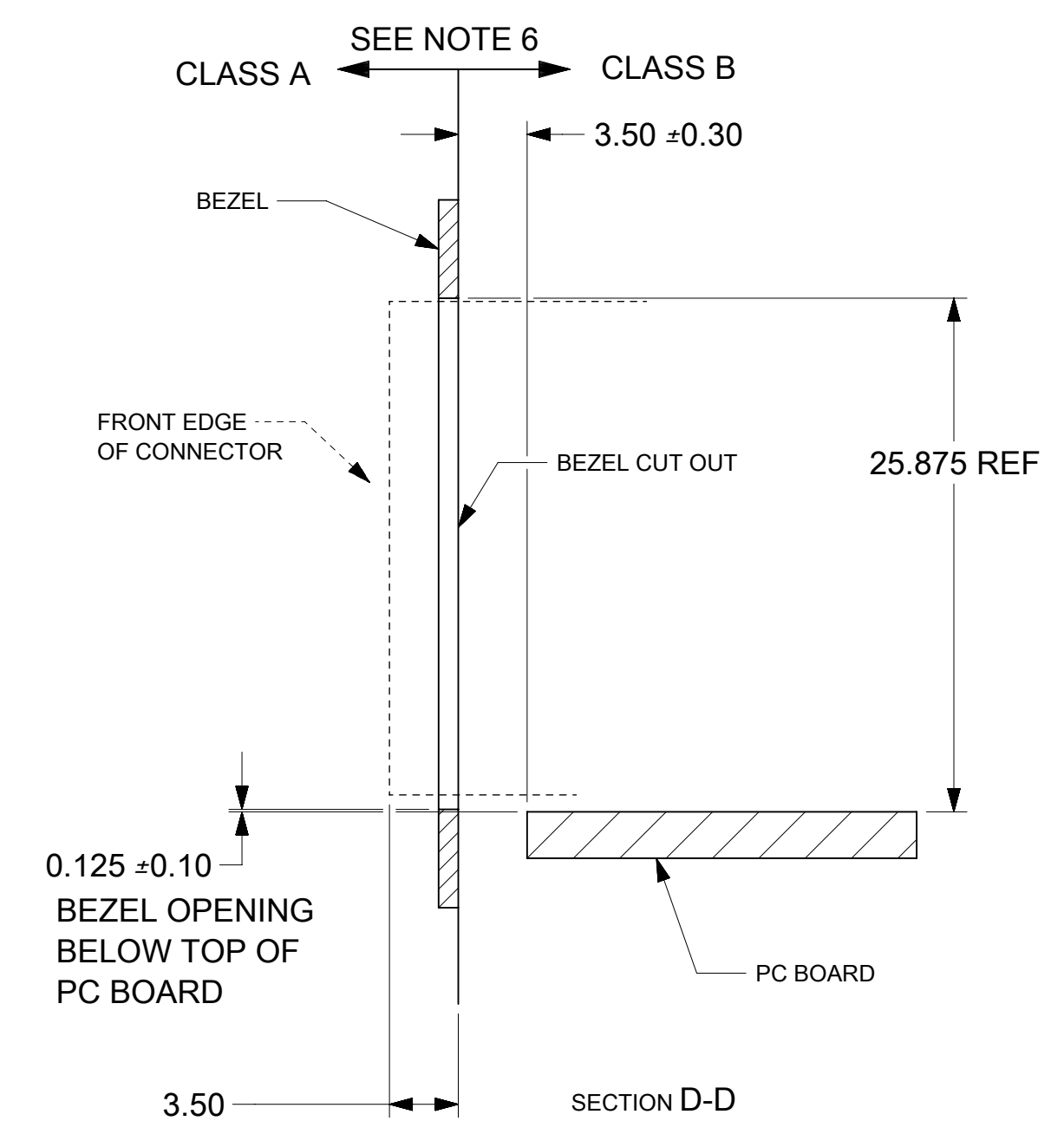
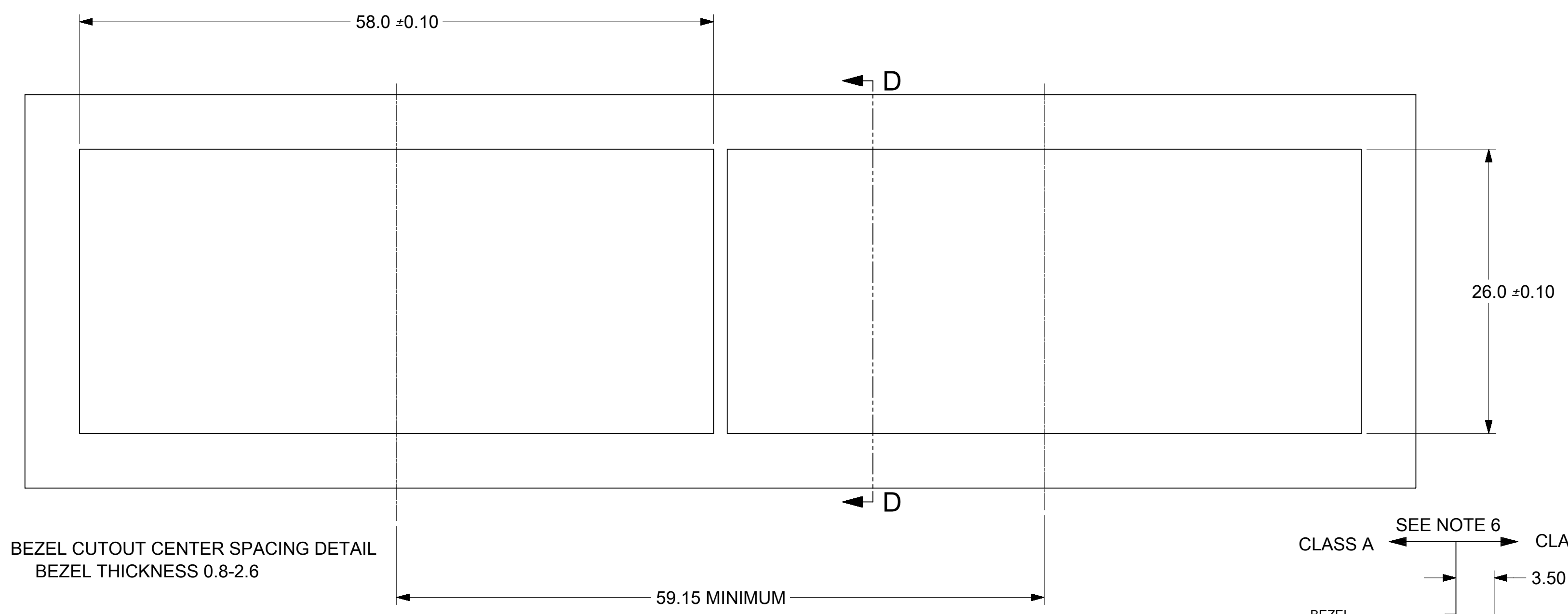
LIGHT PIPE LOCATION AND OTHER ZONES

DETAIL C
SCALE 6:1



DETAIL B
SCALE 5:1
CIRCUIT NUMBERING
AND LIGHTPIPE
IDENTIFICATION

SYMBOLS										THIS DRAWING CONTAINS INFORMATION THAT IS PROPRIETARY TO MOLEX ELECTRONIC TECHNOLOGIES, LLC AND SHOULD NOT BE USED WITHOUT WRITTEN PERMISSION									
DIMENSION UNITS		SCALE		CURRENT REV DESC: UPDATED TO NEW PINS															
	= 0	mm	5:1	EC NO: 600173 DRWN: RWHIPPLE 2018/05/10 CHK'D: SVANG01 2018/05/11 APPR: CHIRSCHY 2018/06/01 INITIAL REVISION: DRWN: JLONG 2004/10/21 APPR: RNELSON 2004/10/28															
	= 0	GENERAL TOLERANCES (UNLESS SPECIFIED)																	
	= 0	ANGULAR TOL ± 5.0°		molex STACKED SFP 2X4 MEDIUM HEIGHT ASSY, PRESS-FIT TAILS WITH LIGHT PIPES PRODUCT CUSTOMER DRAWING															
	= 0	4 PLACES	±																
	= 0	3 PLACES	±																
	= 0	2 PLACES	± 0.13																
	= 0	1 PLACE	± 0.25	DOCUMENT NUMBER: SD-75450-001 DOC TYPE: PSD DOC PART: 001 REVISION: J															
	= 0	0 PLACES	±																
	= 0	DRAFT WHERE APPLICABLE MUST REMAIN WITHIN DIMENSIONS		THIRD ANGLE PROJECTION		DRAWING: C-SIZE		SERIES: 75450		MATERIAL NUMBER: SEE TABLE		CUSTOMER: GENERAL MARKET		SHEET NUMBER: 4 OF 5					



THIS DRAWING CONTAINS INFORMATION THAT IS PROPRIETARY TO MOLEX ELECTRONIC TECHNOLOGIES, LLC AND SHOULD NOT BE USED WITHOUT WRITTEN PERMISSION									
SYMBOLS		DIMENSION UNITS		SCALE		CURRENT REV DESC: UPDATED TO NEW PINS			
▽ = 0	▽ = 0	mm	3:1			EC NO: 600173			
▽ = 0	▽ = 0	GENERAL TOLERANCES (UNLESS SPECIFIED)				DRWN: RWHIPPLE		2018/05/10	
▽ = 0	▽ = 0	ANGULAR TOL ± 5.0°				CHK'D: SVANG01		2018/05/11	
▽ = 0	▽ = 0	4 PLACES ±				APPR: CHIRSCHY		2018/06/01	
▽ = 0	▽ = 0	3 PLACES ±				INITIAL REVISION:			
▽ = 0	▽ = 0	2 PLACES ± 0.13				DRWN: JLONG		2004/10/21	
▽ = 0	▽ = 0	1 PLACE ± 0.25				APPR: RNELSON		2004/10/28	
▽ = 0	▽ = 0	0 PLACES ±				THIRD ANGLE PROJECTION		DRAWING SERIES	
▽ = 0	▽ = 0	DRAFT WHERE APPLICABLE MUST REMAIN WITHIN DIMENSIONS				C-SIZE		75450	
DOCUMENT STATUS		P1		RELEASE DATE		2018/06/01		05:38:28	
12		11		10		9		8	
7		6		5		4		3	
2		1							

molex

STACKED SFP 2X4 MEDIUM HEIGHT ASSY, PRESS-FIT TAILS WITH LIGHT PIPES

PRODUCT CUSTOMER DRAWING

DOCUMENT NUMBER	DOC TYPE	DOC PART	REVISION
SD-75450-001	PSD	001	J

MATERIAL NUMBER	CUSTOMER	SHEET NUMBER
SEE TABLE	GENERAL MARKET	5 OF 5