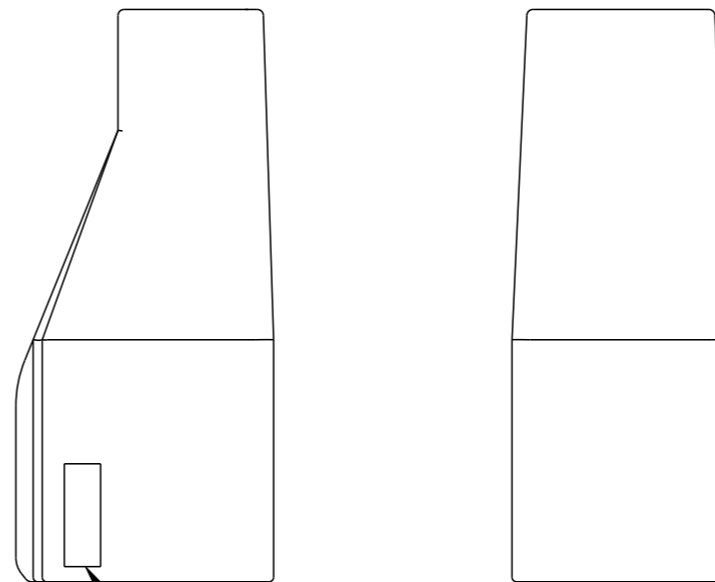
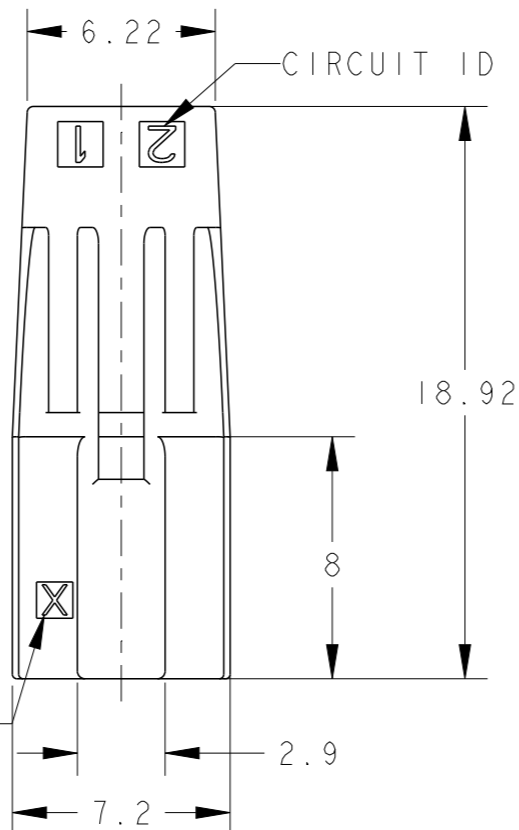
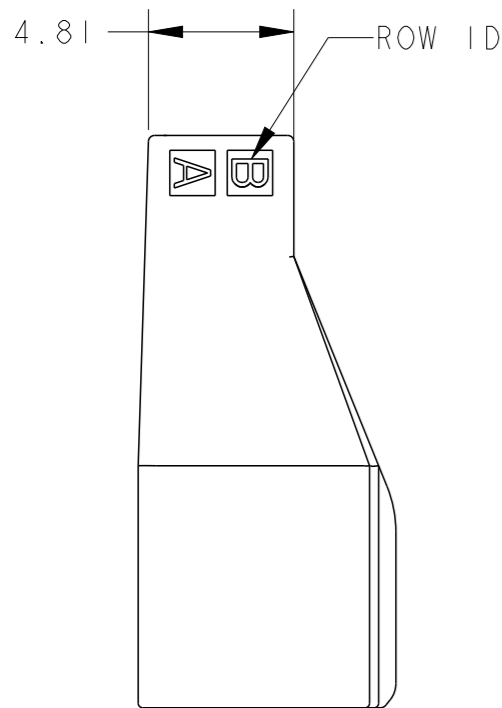
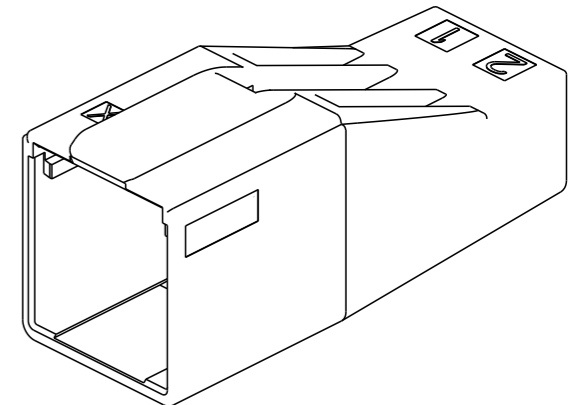
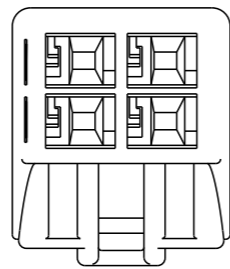


- 1. MATERIAL: GLASS FIBERED THERMO PLASTIC POLYESTER (94V-0), COLOR: SEE TABLE CONTAMINATION Ø1.2 MAX
- 2. INSTRUCTION SHEET: 408-78197
- 3. CIRCUIT NUMBER IS CONSISTED ROW ID AND CIRCUIT ID
EX: A1, A2, B1, B2 REFER TO SHEET 5

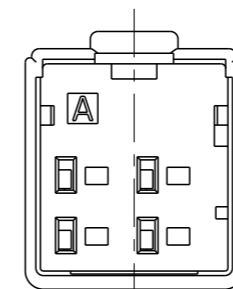
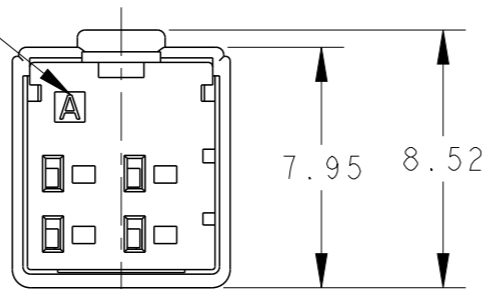
REVISIONS					
P	LTR	DESCRIPTION	DATE	DWN	APVD
	A	RELEASED	23MAR2021	Y.O	E.I
	B	REVISED	17JUN2021	Y.O	T.S
	C	REVISED	13JAN2022	Y.O	T.S



KEYING MARK

COMPANY LOGO

CAVITY MARK



2-2366600-4
Y KEY 4POSN

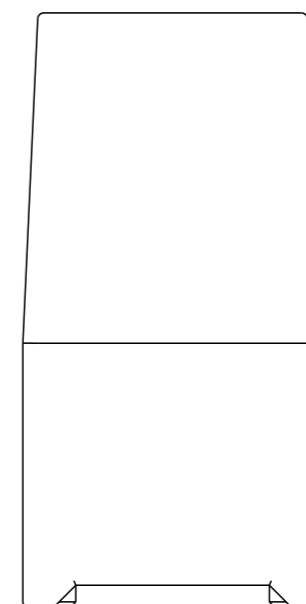
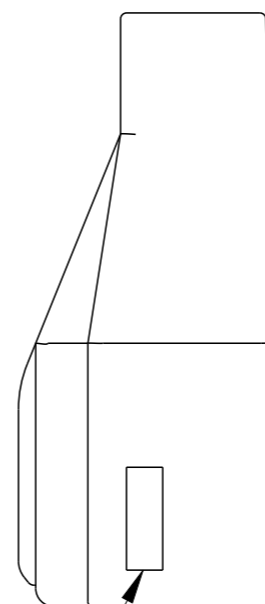
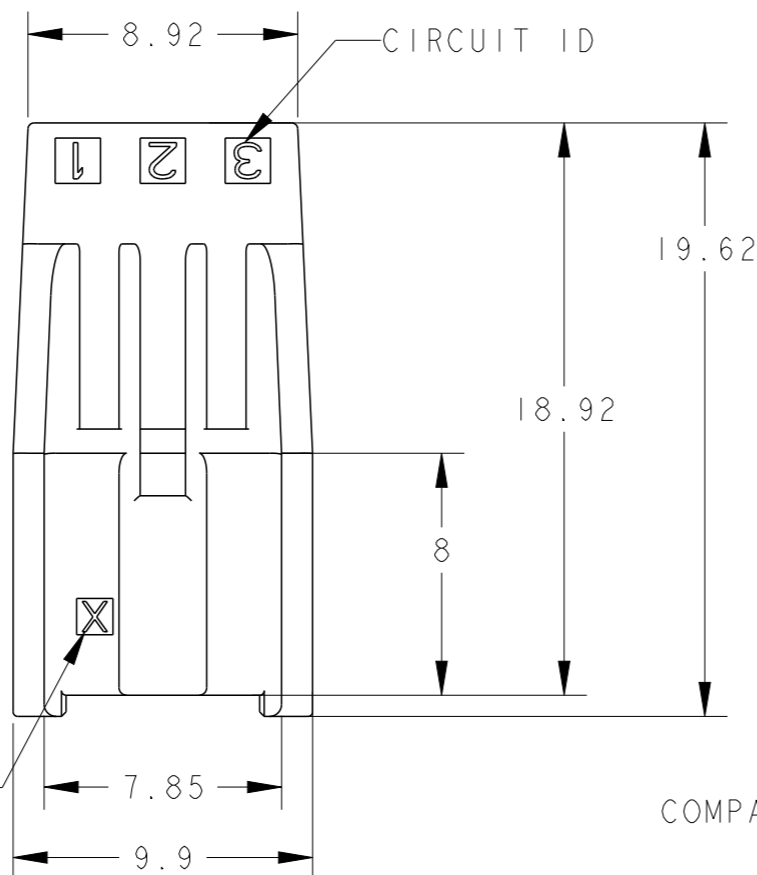
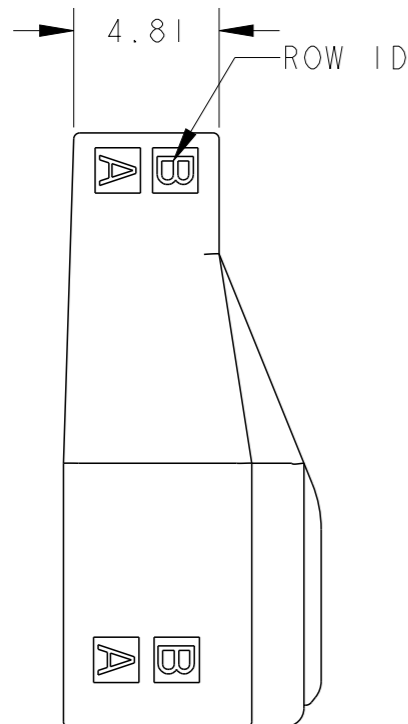
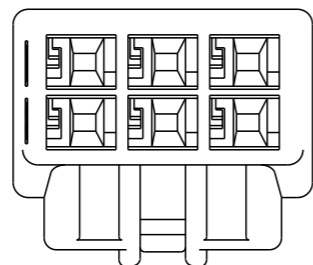
1-2366600-4
X KEY 4POSN

COLOR	KEYING	POSN	PART NUMBER	
BLUE	Y	12	8-2366600-2	
	X		7-2366600-2	
NATURAL	Y		6-2366600-2	
	X		5-2366600-2	
BLACK	Y		4-2366600-2	
	X		3-2366600-2	
BLUE	Y		8	8-2366600-8
	X			7-2366600-8
NATURAL	Y			6-2366600-8
	X			5-2366600-8
BLACK	Y			2-2366600-8
	X			1-2366600-8
BLUE	Y	6		8-2366600-6
	X			7-2366600-6
NATURAL	Y		6-2366600-6	
	X		5-2366600-6	
BLACK	Y		2-2366600-6	
	X		1-2366600-6	
BLUE	Y	4	8-2366600-4	
	X		7-2366600-4	
NATURAL	Y		6-2366600-4	
	X		5-2366600-4	
BLACK	Y	2-2366600-4		
	X	1-2366600-4		

THIS DRAWING IS A CONTROLLED DOCUMENT.		DWN Y. OKADA 12MAY2020		
DIMENSIONS: mm		CHK T. SHIMOYASU 12MAY2020		
TOLERANCES UNLESS OTHERWISE SPECIFIED: ±0.5, ±3°		APVD E. IKEMATSU 12MAY2020	NAME TAB HOUSING, D1000 SLIM, DYNAMIC	
0 PLC ± 1 PLC ±0.5 2 PLC ±0.13 3 PLC ±0.013 4 PLC ±0.0001 ANGLES ±		PRODUCT SPEC 108-140257	SIZE A3	
MATERIAL SEE NOTE		APPLICATION SPEC -	DRAWING NO C-2366600	
FINISH -		WEIGHT -	RESTRICTED TO -	
-		CUSTOMER DRAWING	SCALE 4:1	SHEET 1 OF 5
-			REV C	

REVISIONS

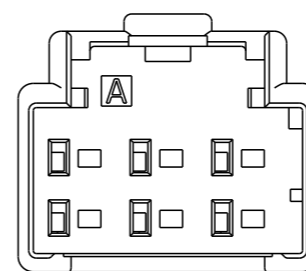
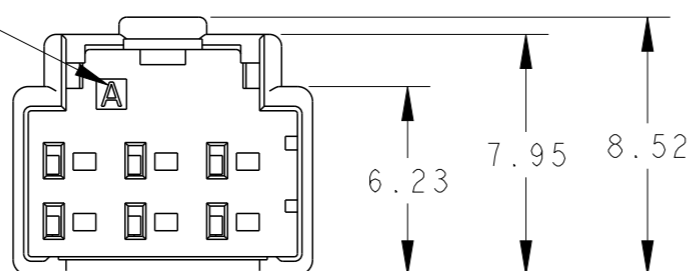
P	LTR	DESCRIPTION	DATE	DWN	APVD
-	-	SEE SHEET 1	-	-	-



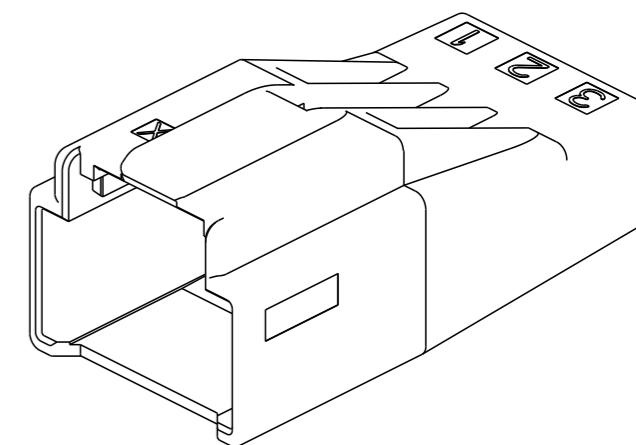
KEYING MARK

COMPANY LOGO

CAVITY MARK



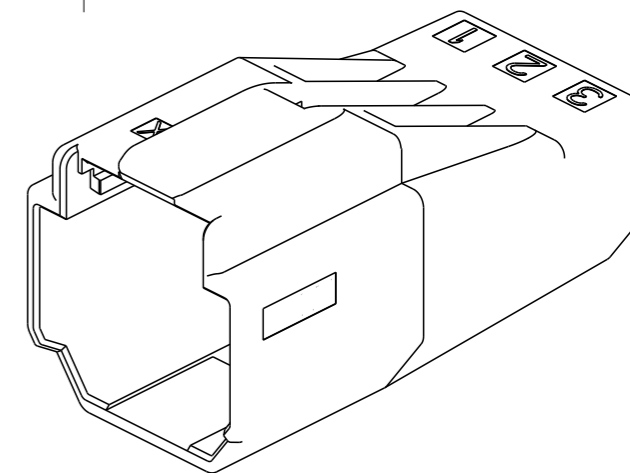
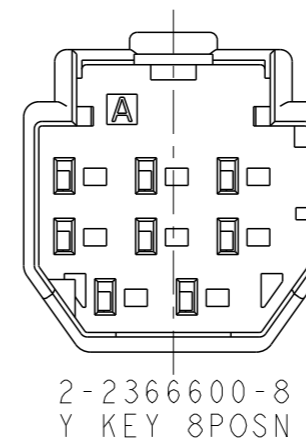
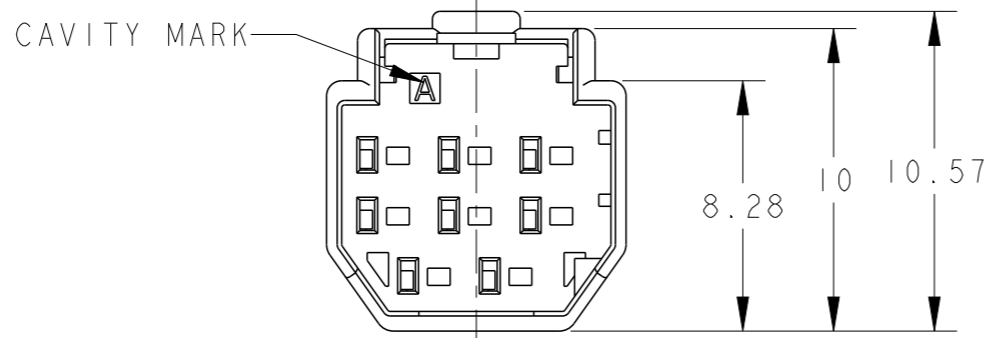
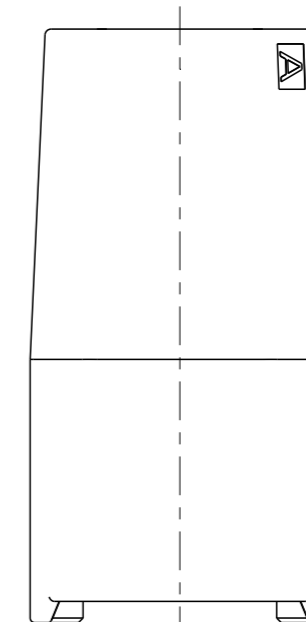
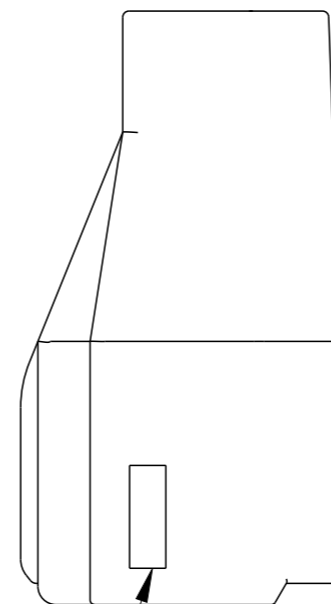
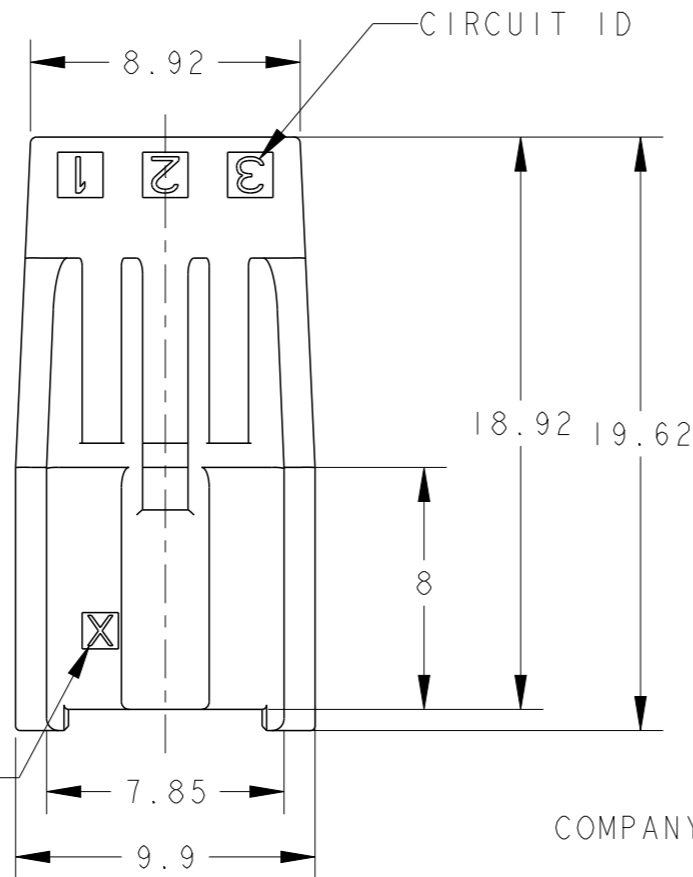
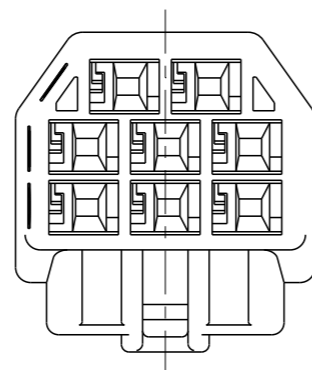
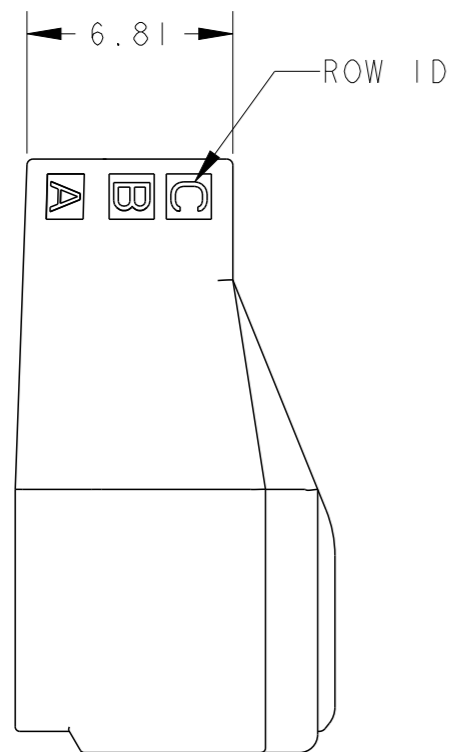
2-2366600-6
Y KEY 6 POSN



1-2366600-6
X KEY 6 POSN

THIS DRAWING IS A CONTROLLED DOCUMENT.		DWN Y. OKADA 12MAY2020			
DIMENSIONS: mm		CHK T. SHIMOYASU 12MAY2020			
TOLERANCES UNLESS OTHERWISE SPECIFIED: ±0.5, ±3°		APVD E. IKEMATSU 12MAY2020	NAME TAB HOUSING, D1000 SLIM, DYNAMIC		
<ul style="list-style-type: none"> 0-PLC ± 1-PLC ±0.5 2-PLC ±0.13 3-PLC ±0.013 4-PLC ±0.0001 ANGLES ± 		PRODUCT SPEC 108-140257	RESTRICTED TO		
MATERIAL SEE NOTE		APPLICATION SPEC -	SIZE A3	CAGE CODE 00779	DRAWING NO C-2366600
FINISH -		WEIGHT -	SCALE 4:1 SHEET 2 OF 5 REV C		
-		CUSTOMER DRAWING	-		

P	LTR	DESCRIPTION	DATE	DWN	APVD
	-	SEE SHEET 1	-	-	-



1-2366600-8
X KEY 8POSN

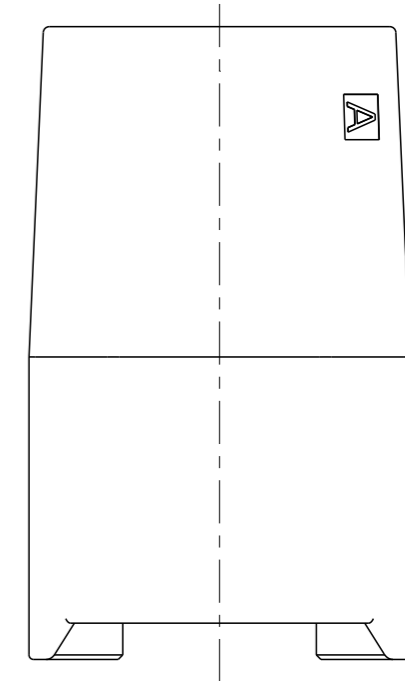
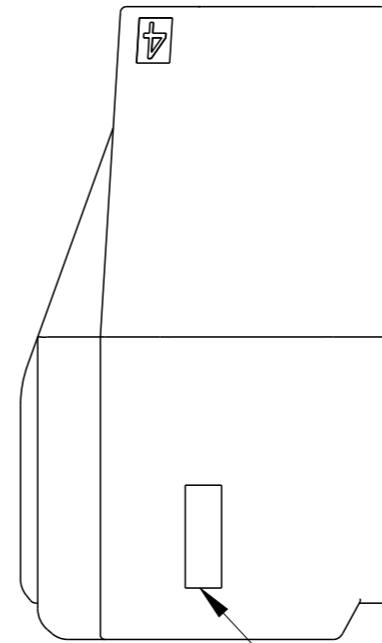
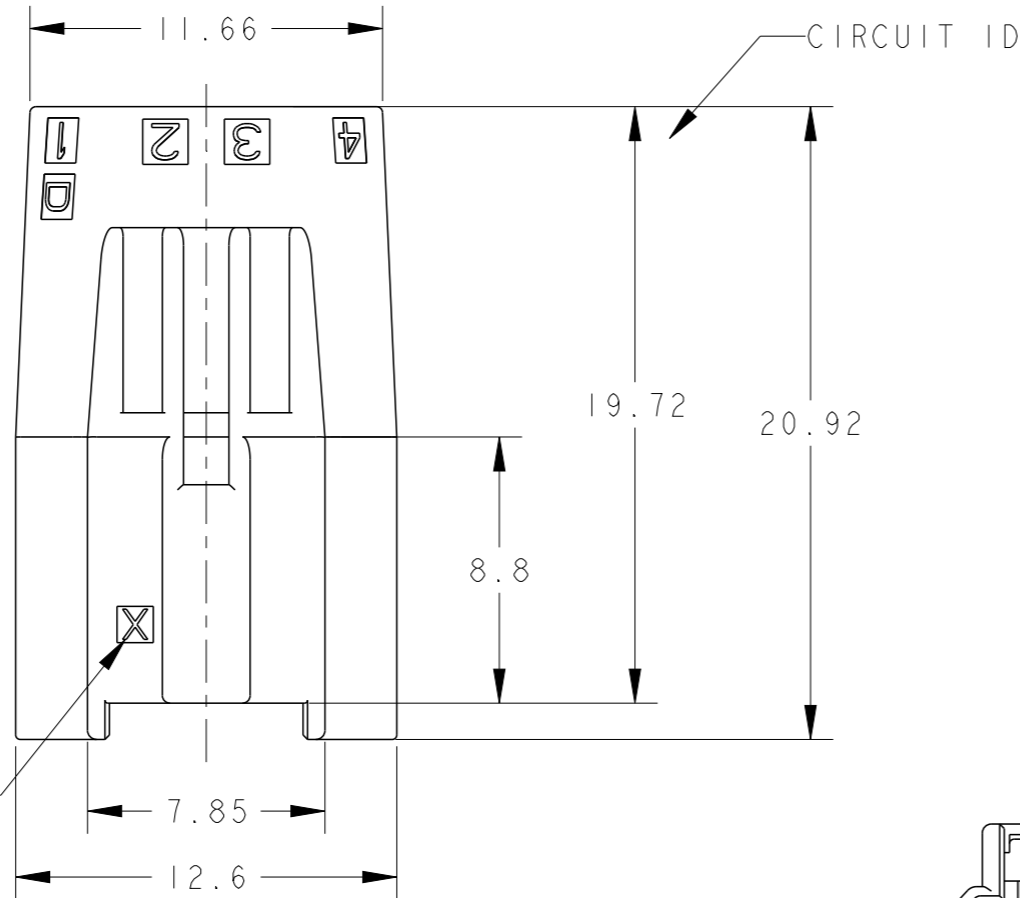
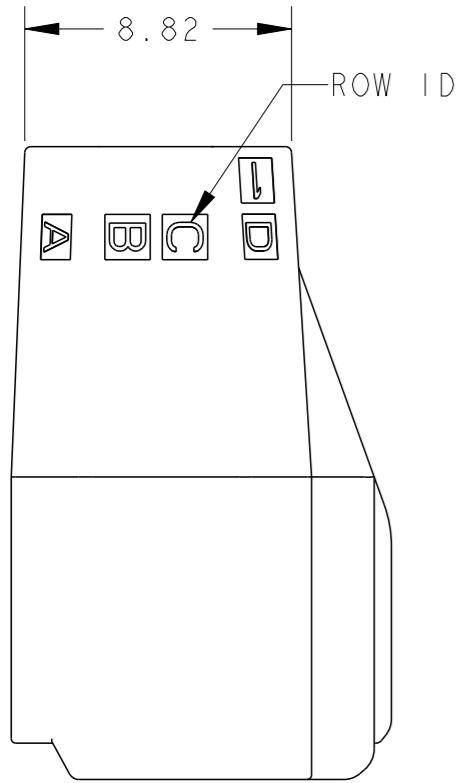
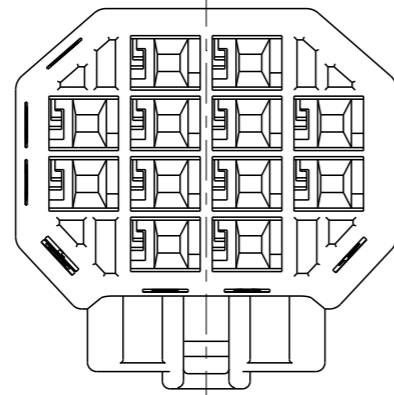
THIS DRAWING IS A CONTROLLED DOCUMENT.

DIMENSIONS: mm	TOLERANCES UNLESS OTHERWISE SPECIFIED: ±0.5, ±3°
	0-PLC ±
	1-PLC ±0.5
	2-PLC ±0.13
	3-PLC ±0.013
	4-PLC ±0.0001
	ANGLES ±
MATERIAL SEE NOTE	FINISH -

DWN Y. OKADA 12MAY2020	TE Connectivity NAME TAB HOUSING, D1000 SLIM, DYNAMIC -
CHK T. SHIMOYASU 12MAY2020	
APVD E. IKEMATSU 12MAY2020	
PRODUCT SPEC 108-140257	
APPLICATION SPEC -	SIZE A3
WEIGHT -	CAGE CODE 300779
CUSTOMER DRAWING	DRAWING NO C-2366600
	RESTRICTED TO -

SCALE 4:1	SHEET 3 OF 5	REV C
--------------	-----------------	----------

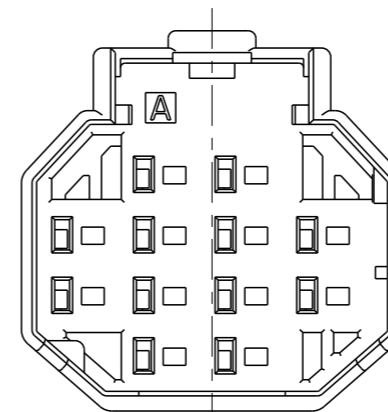
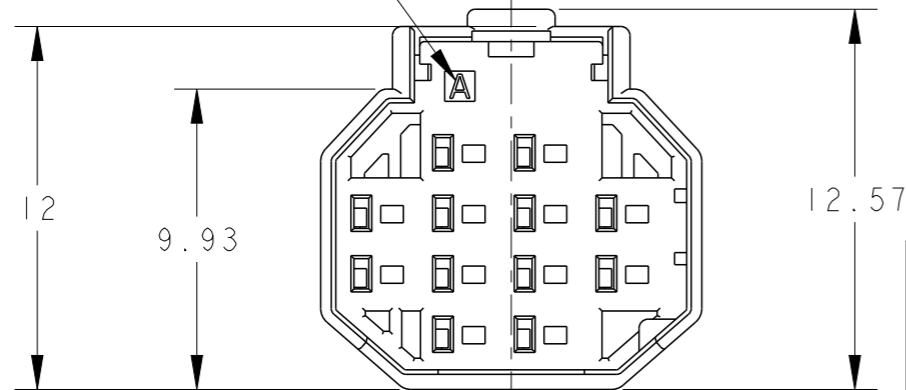
P	LTR	DESCRIPTION	DATE	DWN	APVD
-	-	SEE SHEET 1	-	-	-



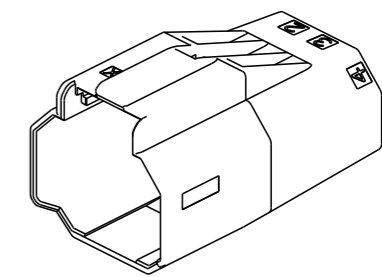
KEYING MARK

COMPANY LOGO

CAVITY MARK



4-2366600-2
Y KEY 12POSN



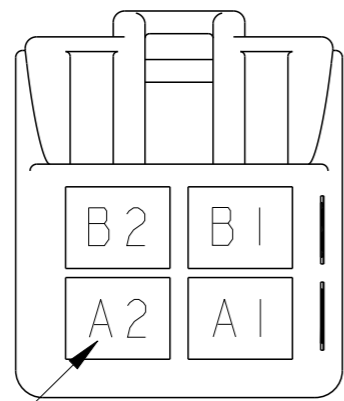
SCALE 2:1

3-2366600-2
X KEY 12POSN

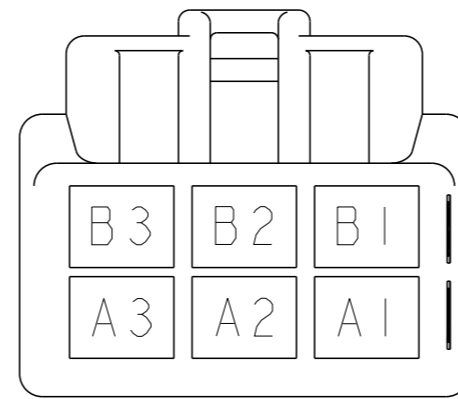
THIS DRAWING IS A CONTROLLED DOCUMENT.		DWN Y. OKADA 12MAY2020		
DIMENSIONS: mm		CHK T. SHIMOYASU 12MAY2020		
TOLERANCES UNLESS OTHERWISE SPECIFIED: ±0.5, ±3°		APVD E. IKEMATSU 12MAY2020	NAME TAB HOUSING, D1000 SLIM, DYNAMIC	
<ul style="list-style-type: none"> 0 PLC ± 1 PLC ±0.5 2 PLC ±0.13 3 PLC ±0.013 4 PLC ±0.0001 ANGLES ± 		PRODUCT SPEC 108-140257	SIZE A3	
MATERIAL SEE NOTE		APPLICATION SPEC -	CAGE CODE 00779	DRAWING NO C-2366600
FINISH -		WEIGHT -	RESTRICTED TO -	
-		CUSTOMER DRAWING	SCALE 4:1	SHEET 4 OF 5
-			REV C	

REVISIONS

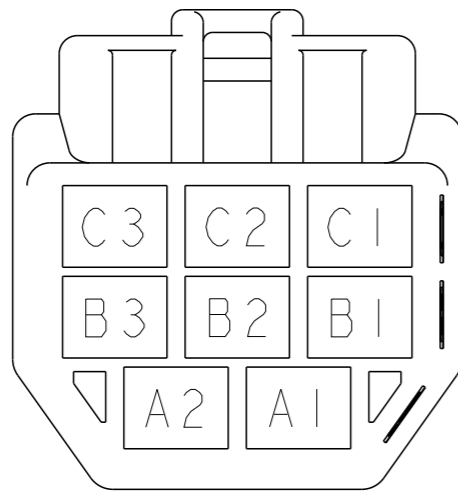
P	LTR	DESCRIPTION	DATE	DWN	APVD
	-	SEE SHEET 1	-	-	-



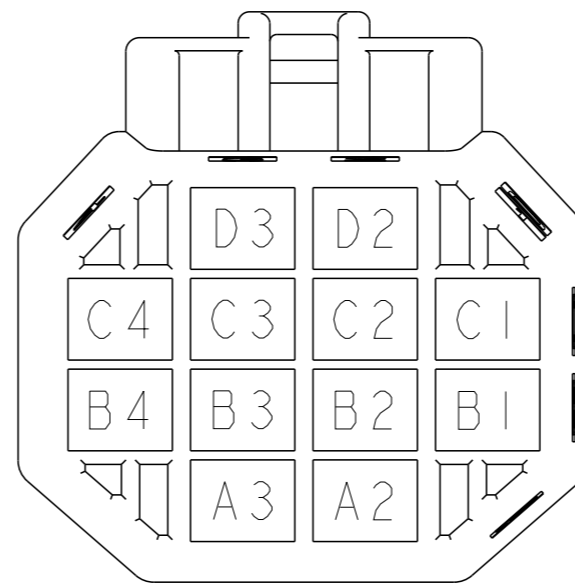
CIRCUIT NUMBER 4POSN



6POSN



8POSN



12POSN

THIS DRAWING IS A CONTROLLED DOCUMENT.		DWN Y. OKADA 12MAY2020		
DIMENSIONS: mm		CHK T. SHIMOYASU 12MAY2020		
		APVD E. IKEMATSU 12MAY2020	NAME TAB HOUSING, D1000 SLIM, DYNAMIC	
TOLERANCES UNLESS OTHERWISE SPECIFIED: ±0.5, ±3°		PRODUCT SPEC 108-140257	RESTRICTED TO	
MATERIAL SEE NOTE		APPLICATION SPEC -	SIZE A3	CAGE CODE 00779
FINISH -		WEIGHT -	DRAWING NO C-2366600	
-		CUSTOMER DRAWING	SCALE 6:1	SHEET 5 OF 5
				REV C