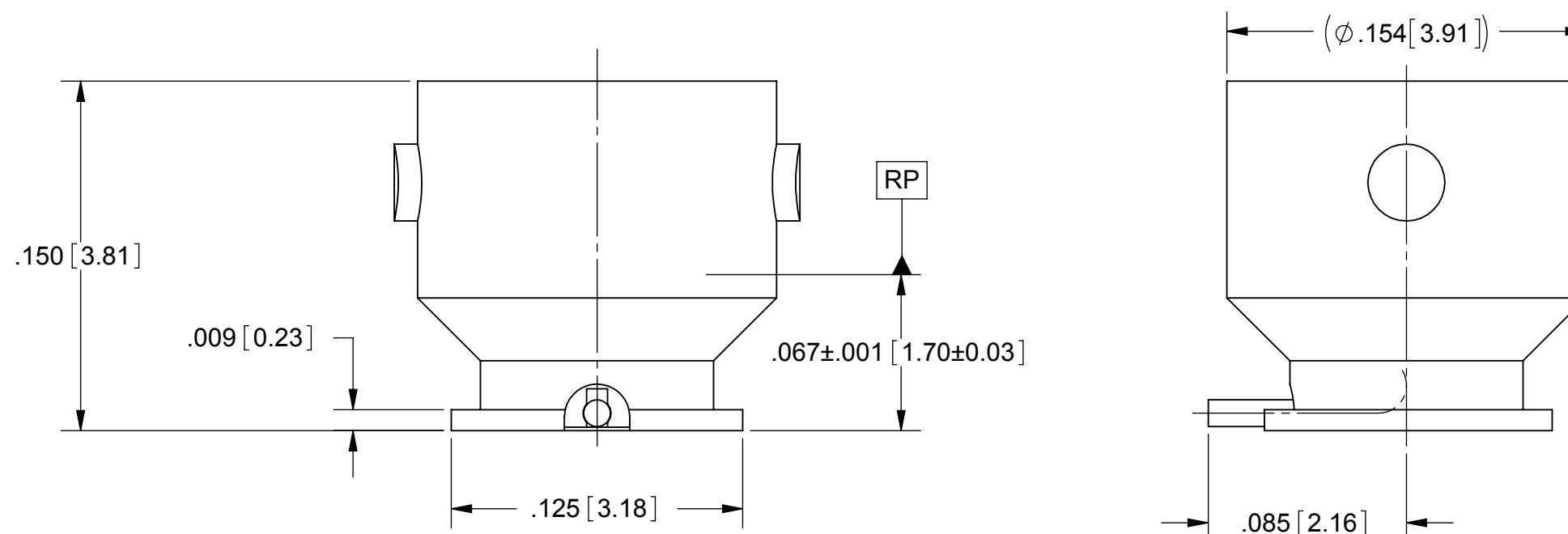


PRODUCT DATA DRAWING

REVISION HISTORY			
REV	DESCRIPTION	DATE	APPROVED
-	NRN 38301	08/13	STW



NOTES:

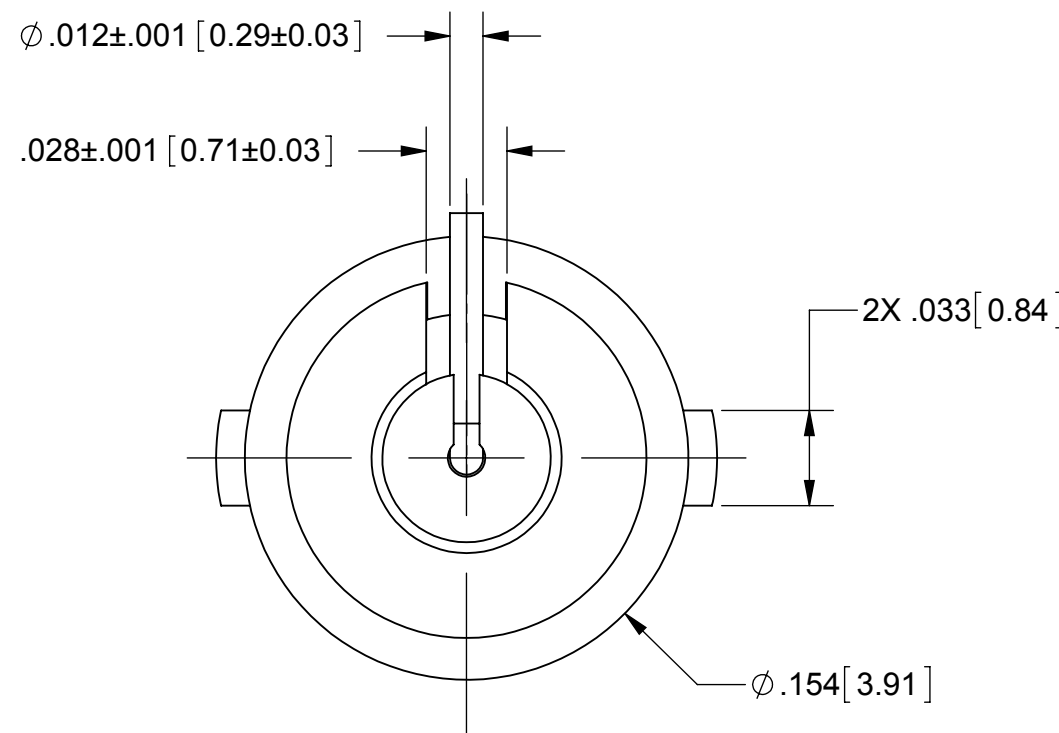
- FOR A FOOTPRINT RECOMMENDATION SPECIFIC TO YOUR PCB, PLEASE CONTACT US AT applications@svmicro.com

MATERIAL:

- BODY:** STAINLESS STEEL PER AMS-5640, ALLOY UNS S30300, TYPE 1
- CONTACT:** BRASS PER ASTM B16, ALLOY UNS No. C36000
- INSULATOR:** TORLON 4203
- FINISH:**
- BODY & CONTACT:** GOLD PER ASTM B488, TYPE II, CODE C, CLASS 1.27; OVER NICKEL PER AMS-QQ-N-290, CLASS 1, .00005" MIN.

PERFORMANCE:

- IMPEDANCE:** 50 OHMS
- FREQ. RANGE:** DC TO 20.0 GHz
- VSWR:** 1.20:1 DC TO 20.0 GHz
- DWV:** 325 VRMS
- OPERATING TEMP.:** -55°C TO +125°C
- ENGAGEMENT/ DISENGAGEMENT:**
- SMOOTH BORE:** 2.5 LBS MAX. ENGAGEMENT
1.5 LBS MIN. DISENGAGEMENT



MATERIAL: SEE NOTES	DIMENSIONS ARE IN INCHES TOLERANCES: FRACTIONAL: ±1/64 ANGULAR: X° ±1'0" X'X' ±15'	UNLESS OTHERWISE SPECIFIED 1) ALL DIMENSIONS ARE IN INCHES (MILLIMETERS) 2) ALL DIMENSIONS ARE AFTER PLATING. 3) BREAK CORNERS & EDGES .005 R. MAX. 4) CHAM. 1ST & LAST THREADS. 5) SURFACE ROUGHNESS 63-MIL-STD-10. 6) DIA.'S ON COMMON CENTERS TO BE CONCENTRIC WITHIN .005 T.I.R. 7) REMOVE ALL BURRS	SV Microwave, Inc. 2400 Centrepark West Drive, Suite 100 West Palm Beach, FL 33409
FINISH: SEE NOTES	DECIMAL: X ±.030 .XX ±.010 .XXX ±.005	INTERPRET DIMENSIONS AND TOLERANCES PER ASME Y14.5M - 1994	TITLE: SMPM QB MALE SURFACE PCB MOUNT WITH R/A CONTACT
SURFACE AREA: N/A	THIRD ANGLE PROJECTION	DRAWN: NHR 09/20/12	SIZE: B CAGE CODE: 95077 DWG. NO. 3211-60112
<p>PROPRIETARY</p> <p>THE INFORMATION CONTAINED IN THIS DRAWING IS THE SOLE PROPERTY OF SV MICROWAVE, INC. ANY REPRODUCTION IN PART OR AS A WHOLE WITHOUT THE WRITTEN PERMISSION OF SV MICROWAVE, INC IS PROHIBITED.</p>		CHECKED: STW 08/20/13	SCALE: 4:1
		APPROVED: STW 08/20/13	SHEET 1 OF 1