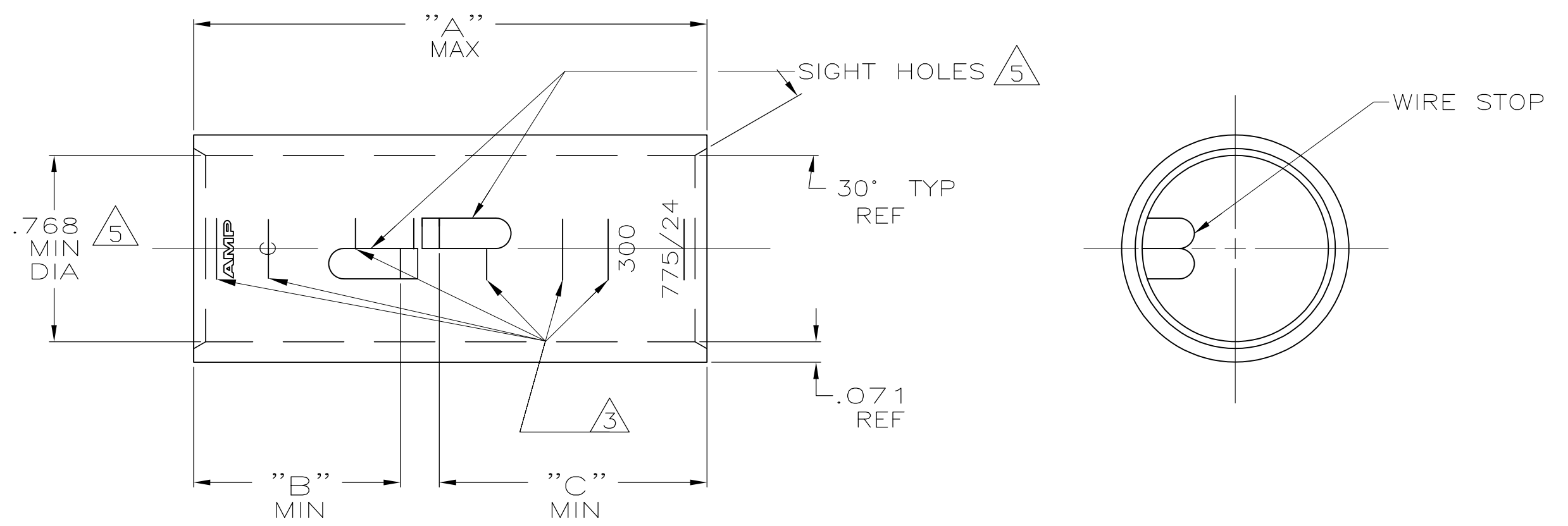


THIS DRAWING IS UNPUBLISHED. RELEASED FOR PUBLICATION  
 © COPYRIGHT - By - ALL RIGHTS RESERVED.


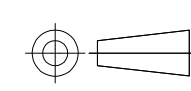
REVISIONS					
P	LTR	DESCRIPTION	DATE	DWN	APVD
	U	ECR-13-000998	11FEB2013	PK	HS
	U1	ECR-16-012832	07SEP2016	KR	MV



- ① TIN PL .000150 MIN THK PER ASTM B-545
- ② PART NO: 324463; .116 LB.  
PART NO: 1-324463-0; .116 LB.  
PART NO: 2-324463-5; .132 LB.
- ③ CRIMP LOCATION MARKS ON P/N 2-324463-5 ONLY.
- ④ CLEANED, UNPLATED
- ⑤ .045 MAX BURR ALLOWED INSIDE THE WIRE BARREL ID IN AREA OF SIGHT HOLE.

1.10	.85	2.18	① ③	275-325 MCM	COPPER ASTM-B-75 ANNEALED	2-324463-5
.85	.85	1.93	④			1-324463-0
"C"	"B"	"A"	FINISH	WIRE RANGE	MATERIAL	PART No 324463

THIS DRAWING IS A CONTROLLED DOCUMENT.

DIMENSIONS: INCHES	TOLERANCES UNLESS OTHERWISE SPECIFIED:	DWN DK SCHRUM 4/24/89	 TE Connectivity SPLICE, BUTT, AMPPOWER WIRE SIZE: 300 MCM
	0 PLC ± -	CHK MS FEHER 4/24/89	
	1 PLC ± -	APVD WJ VOCKROTH 11/8/89	
	2 PLC ± -	NAME	
	3 PLC ± -	PRODUCT SPEC	SIZE
	4 PLC ± -	APPLICATION SPEC	CAGE CODE
	ANGLES ± -	WEIGHT	DRAWING NO
MATERIAL SEE TABLE	FINISH SEE TABLE	CUSTOMER DRAWING	RESTRICTED TO
		SCALE 2:1	SHEET 1 OF 1
		REV U1	