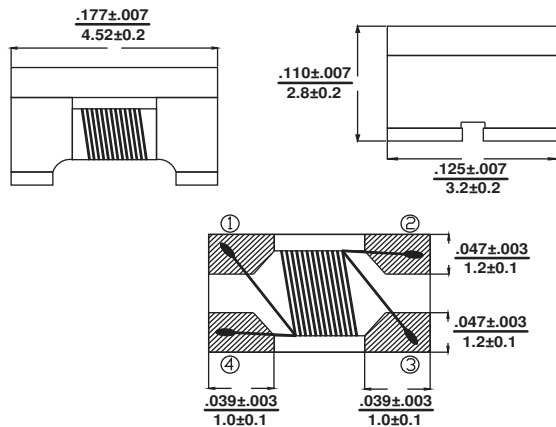
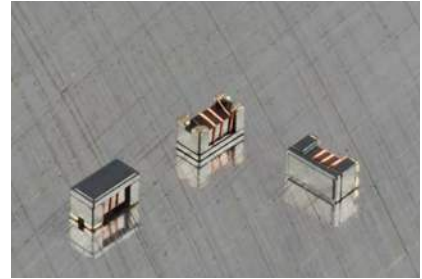


# SCM30F SMD Wirewound Common Mode Filter



Dimensions:  $\frac{\text{Inches}}{\text{(mm)}}$



## Features

- Miniature SMD common mode filter
- Excellent noise attenuation in a small package
- Suitable for automated assembly
- SCM series offers wide impedance range
- Excellent solderability

## Electrical

**Impedance range:** 51Ω to 100Ω

**Tolerance:** 20% over entire range

**Test Frequency:** 100Mhz

**Withstand Voltage:** 125Vdc Max

**Operating Temp:** -40°C ~ +125°C

**IDC:** Inductance drop 10% Typ.  
from original value with no current

**DCR:** Single Wire Test Value

## Resistance to Solder Heat

Pre-Heat 150°C, 1 minute

**Solder Composition:** Sn99.5%-Cu0.5%

**Solder Temp:** 245±5°C

## Test Equipment

**(Z):** HP4291A+HP16197A

**(DCR):** HP4338B

**Insulation Resistance:** HP4339

## Physical

**Packaging:** 500 pieces per 7 inch reel

**Marking:** None

Allied Part Number	Common Mode Inductance (μH)+50/-30% [100kHz]	DC Resistance (Ω)	Rated Current (mA)	Rated Voltage Vdc	IR (Ω) Min.
SCM30F-510-RC	51	1.0	200	50	10M
SCM30F-101-RC	100	2.0	100	50	10M

All specifications subject to change without notice.