

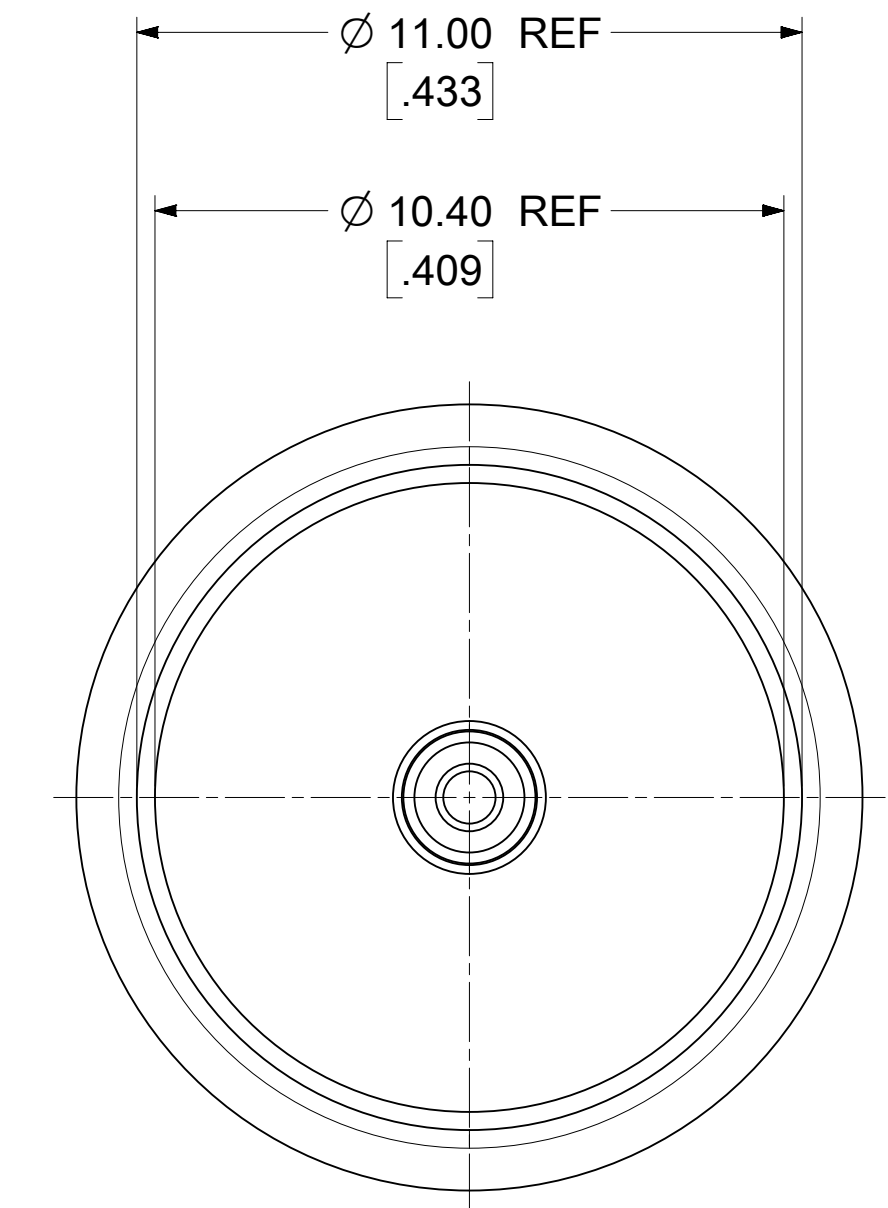
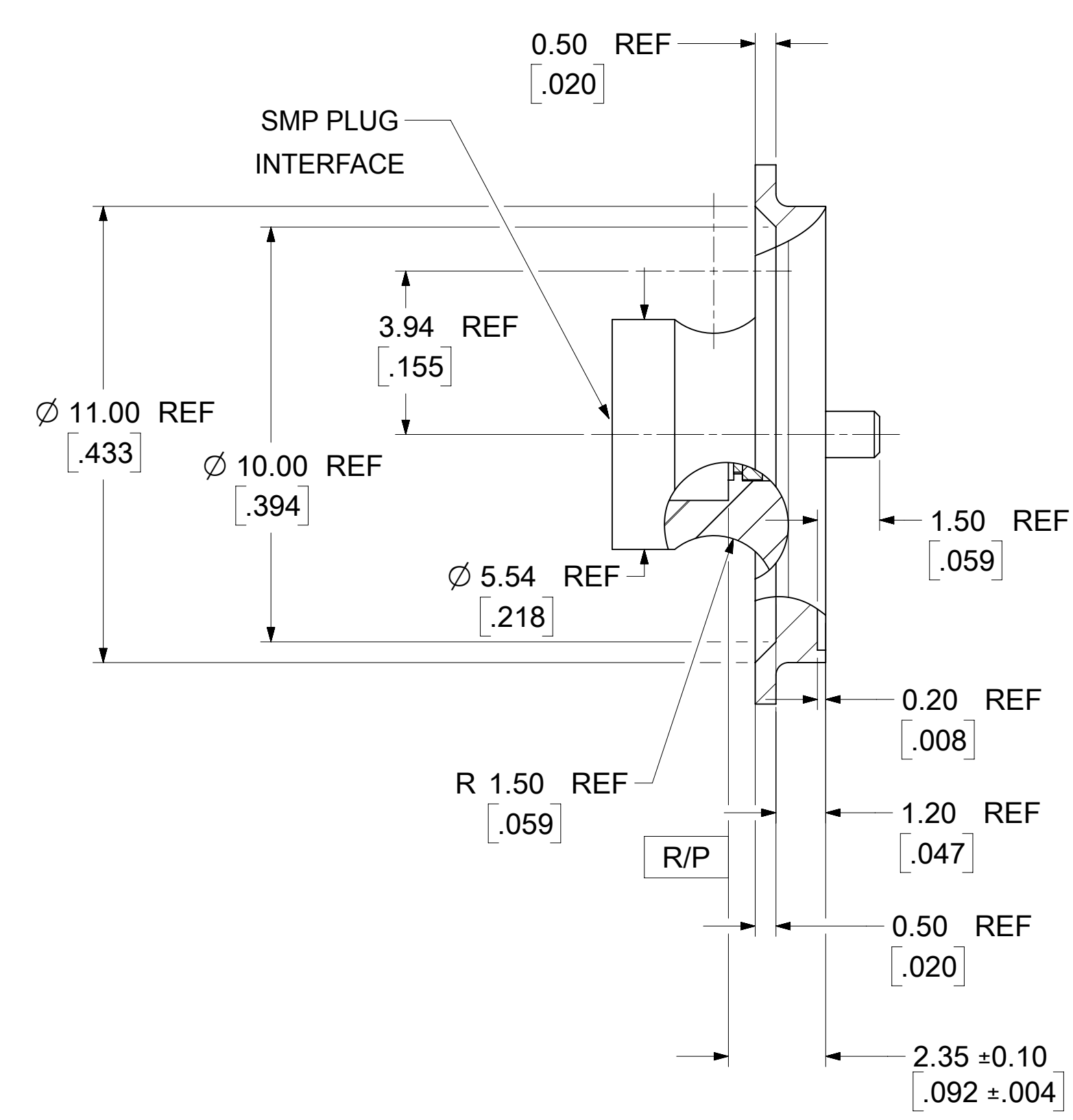
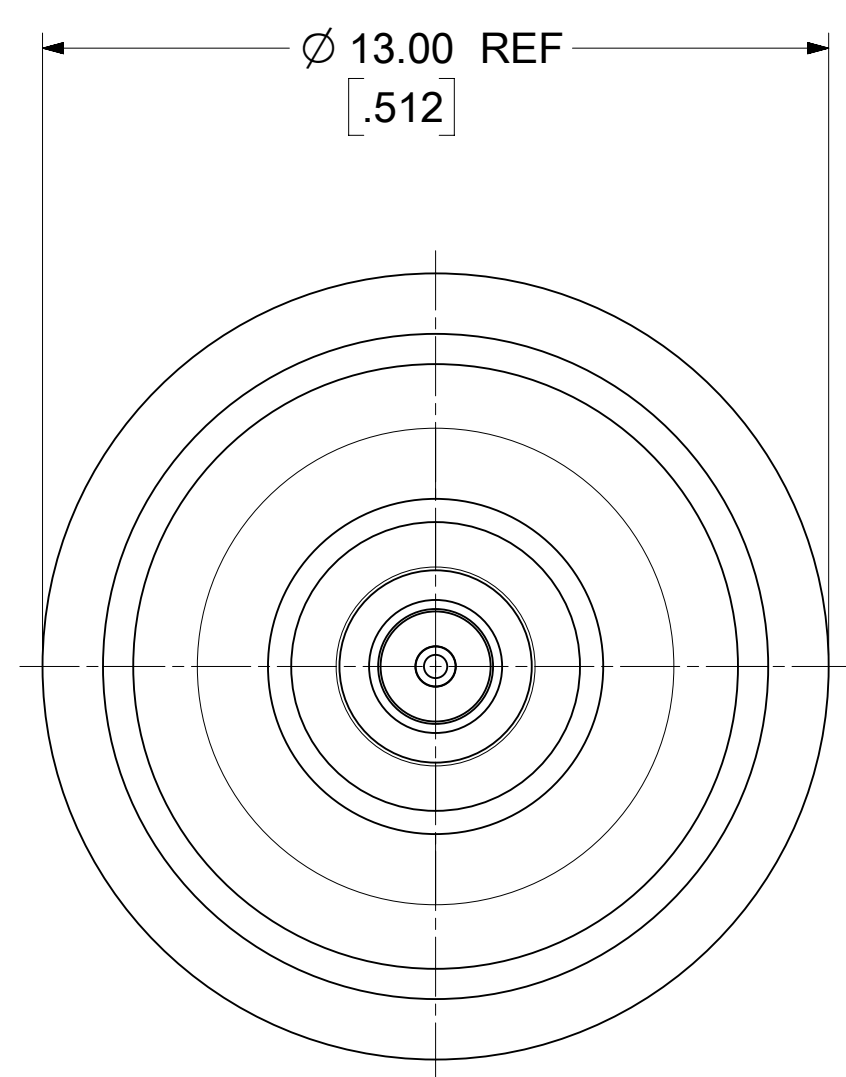
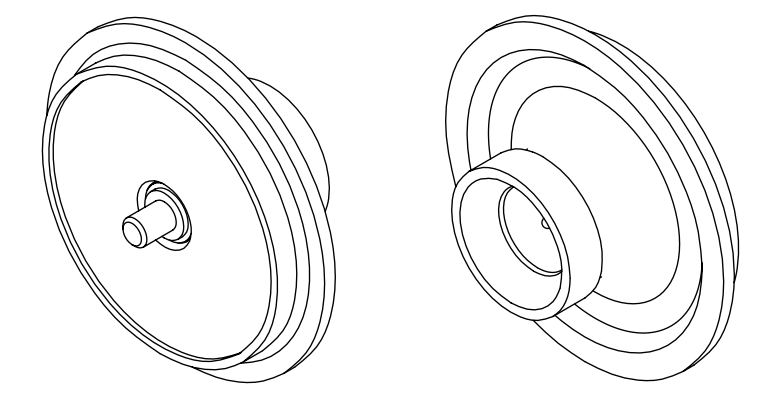
MATERIALS AND FINISHES:

BODY, CONTACT: BRASS  
 PLATED: GOLD (30μ-in MIN)  
 OVER NICKEL (100μ-in MIN)

INSULATOR: PTFE

O-RING: SILICON RUBBER

SEALED TO 1x10e-3 CC HELIUM/SEC



73415-5271	ONE PER BAG	895420470
73415-5270	TRAY	895420040
PART #	PACKAGING	PACKING SPEC

PS-89675-3320	PRODUCT SPECIFICATION
MIL-STD-348B, FIG. 326.5	INTERFACE
SPECIFICATION	DESCRIPTION

FUNCTIONAL SYMBOLS		THIS DRAWING CONTAINS INFORMATION THAT IS PROPRIETARY TO MOLEX ELECTRONIC TECHNOLOGIES, LLC AND SHOULD NOT BE USED WITHOUT WRITTEN PERMISSION		CURRENT REV DESC:				
FA = 0	MM/INCH	SCALE	NTS	EWR # 15321-E ADDED -5271 PART NO				
EC = 0	GENERAL TOLERANCES (UNLESS SPECIFIED)		EC NO: 718007		2022/08/11		SMP PLUG,PCB,WITH O-RING 50 OHMS, EWR-2185 SMP-P/PCB	
EP = 0	ANGULAR TOL ± 2.0°		DRWN: JSU18		2022/08/24			
DIVISIONAL SYMBOLS		4 PLACES ±		CHK'D: YCHENG		2022/08/24		PRODUCT CUSTOMER DRAWING
		3 PLACES ±		APPR: YCHENG				
		2 PLACES ± 0.25		INITIAL REVISION:		DOCUMENT NUMBER		SD-73415-527
		1 PLACE ±		DRWN: TFLAHERTY		DOC TYPE		
		0 PLACES ±		APPR: JWIENER		DOC PART		B3
		DRAFT WHERE APPLICABLE MUST REMAIN WITHIN DIMENSIONS		THIRD ANGLE PROJECTION		REVISION		
		DRAWING		SERIES		MATERIAL NUMBER		GENERAL MARKET
		C-SIZE		73415		CUSTOMER		
		SHEET NUMBER		1 OF 1				