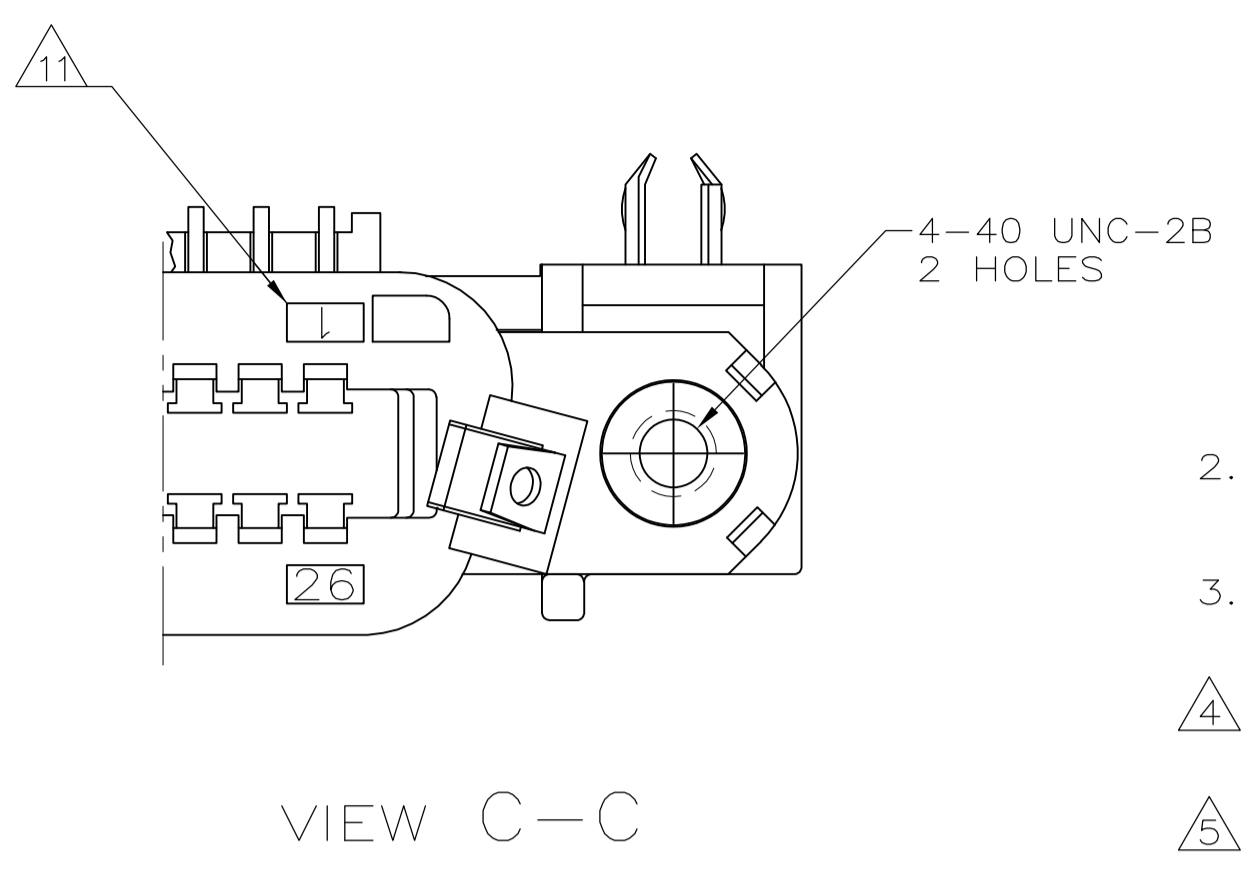
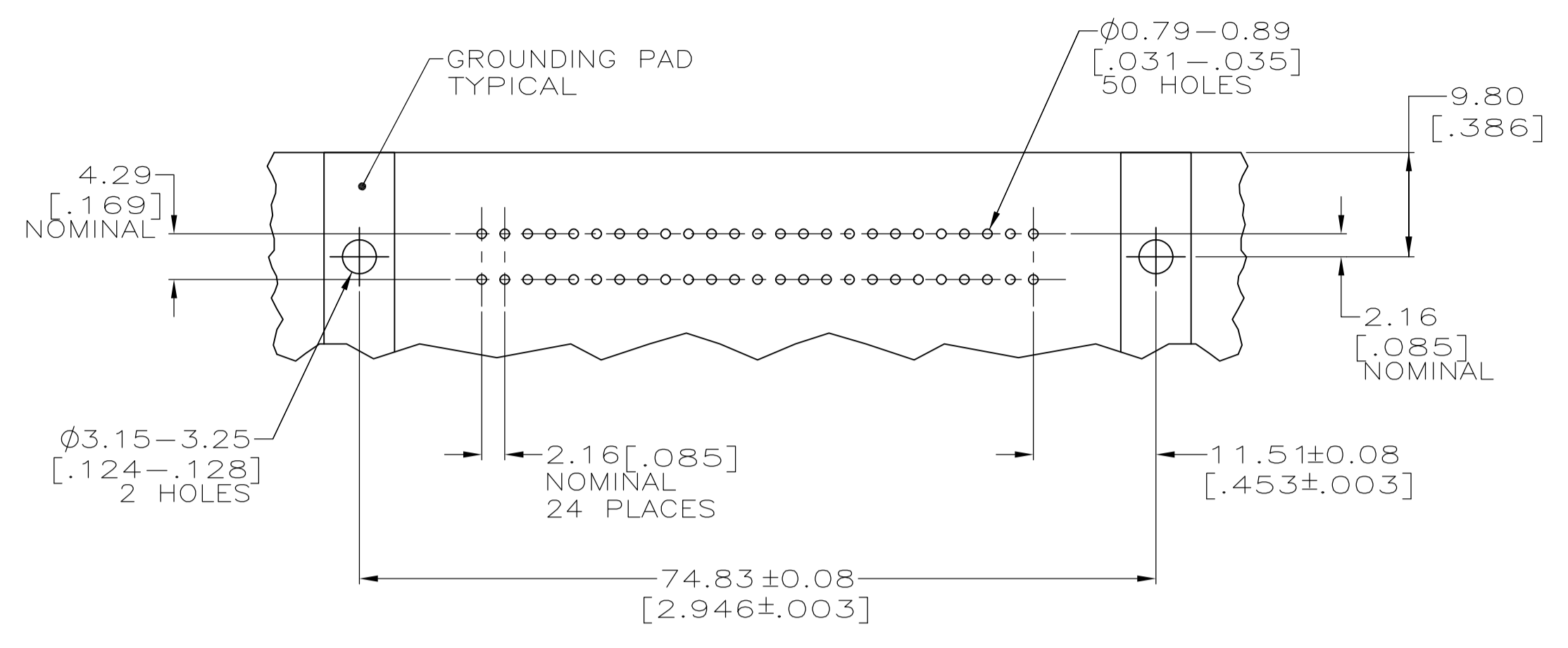
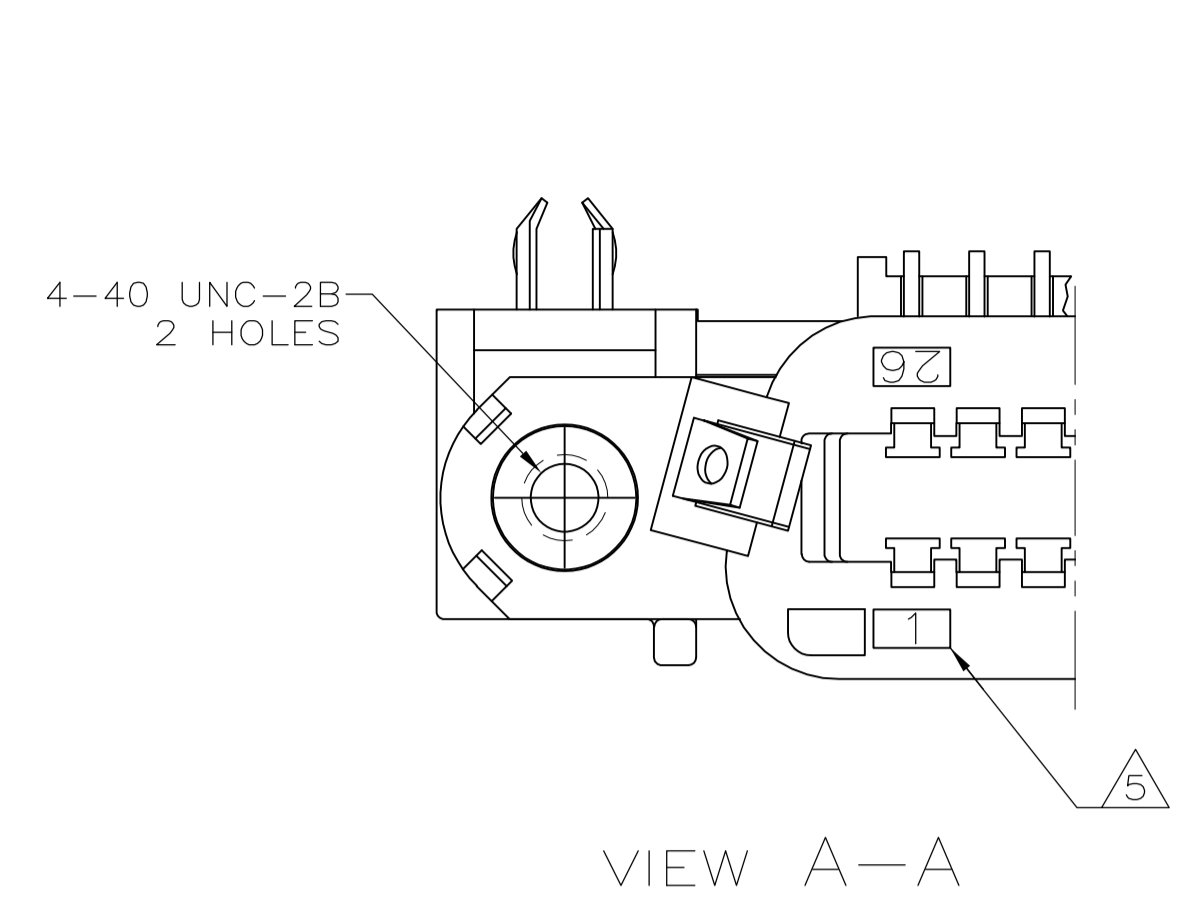
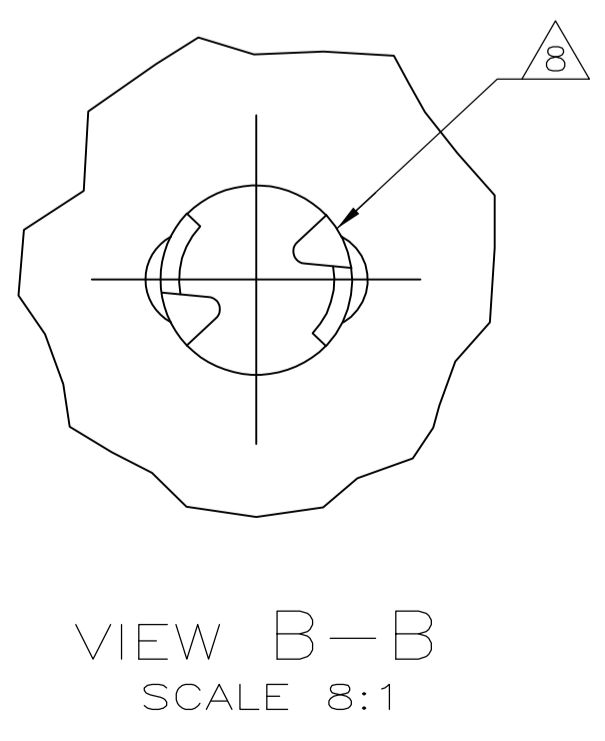
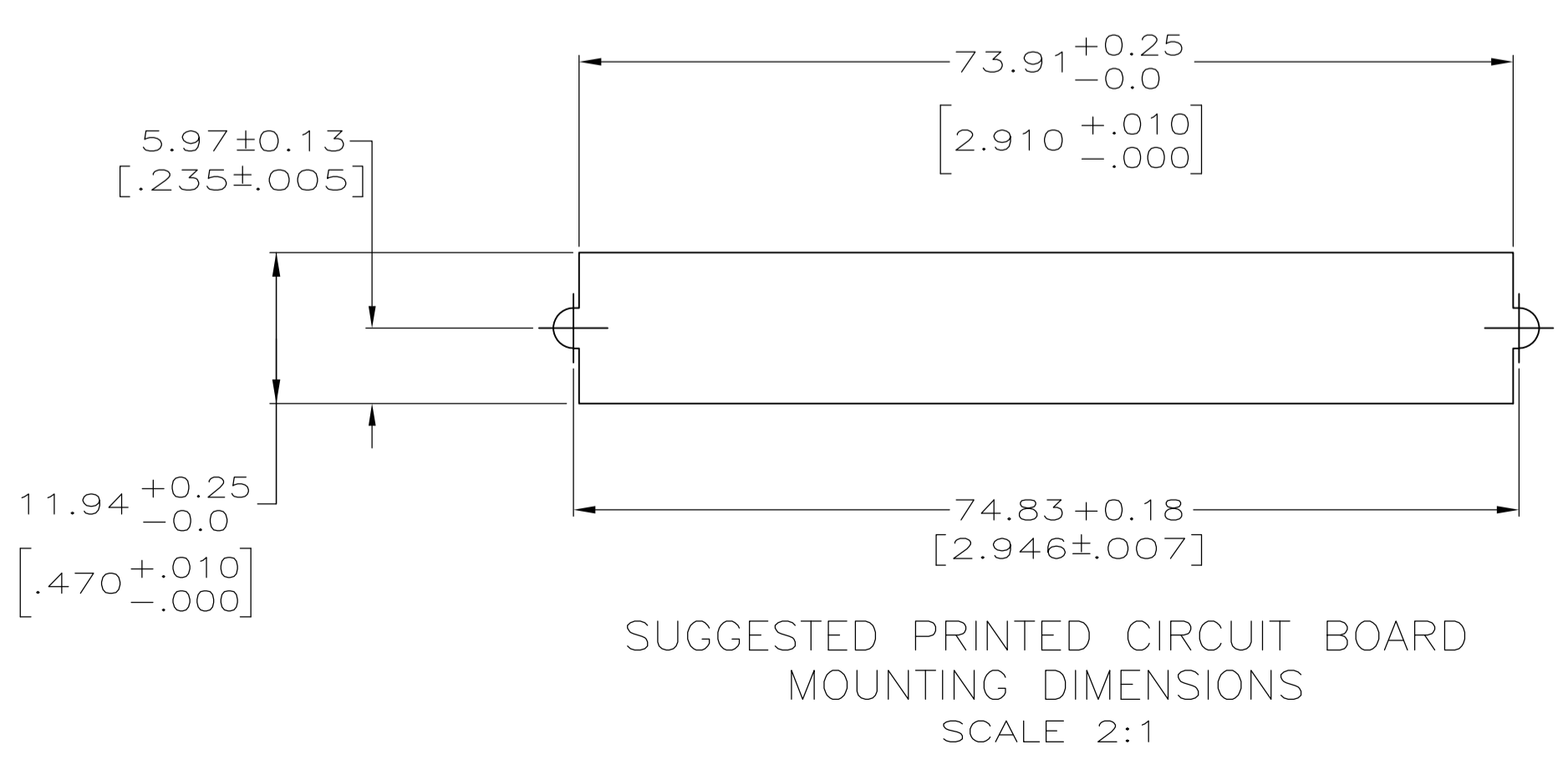
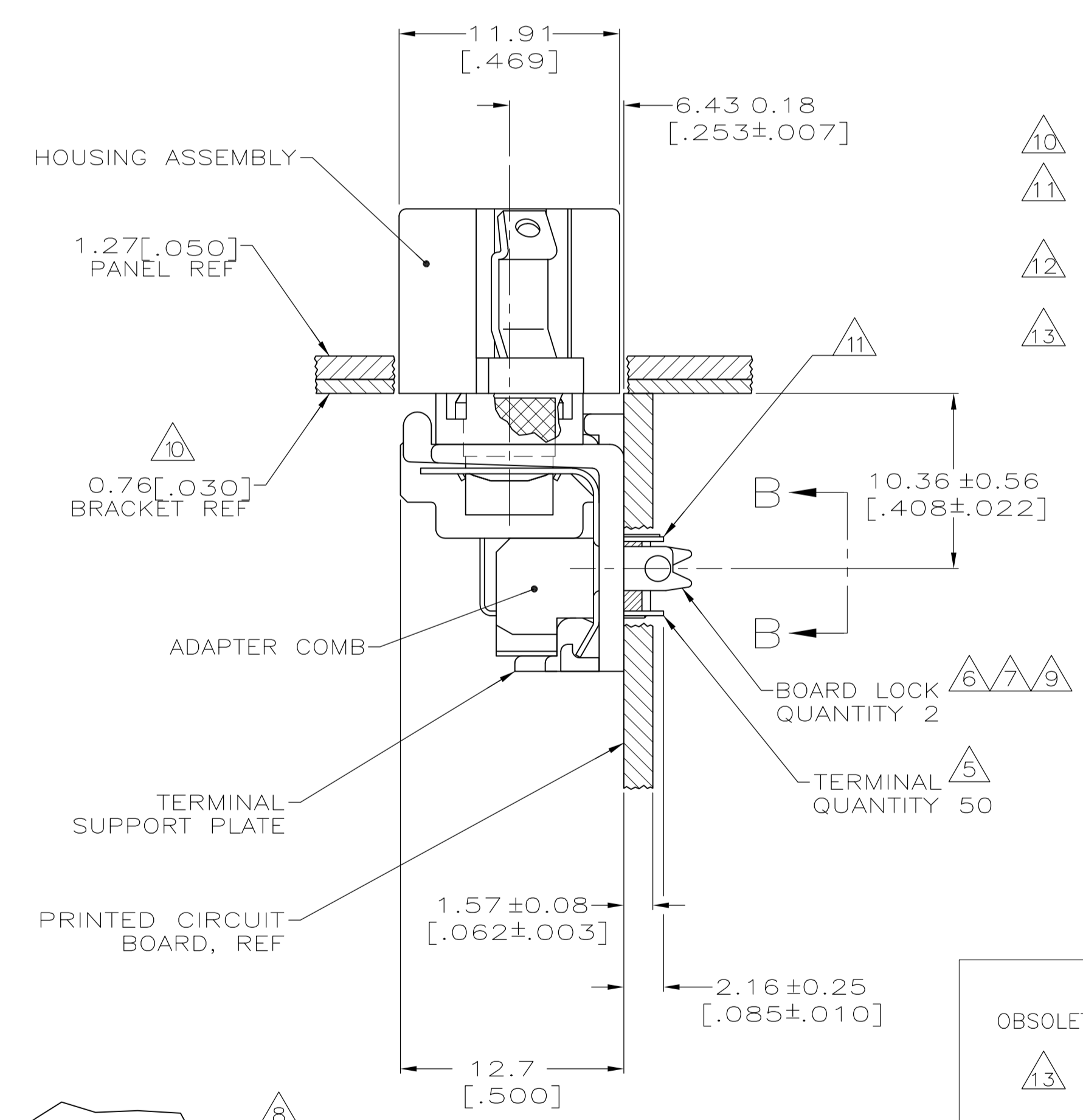
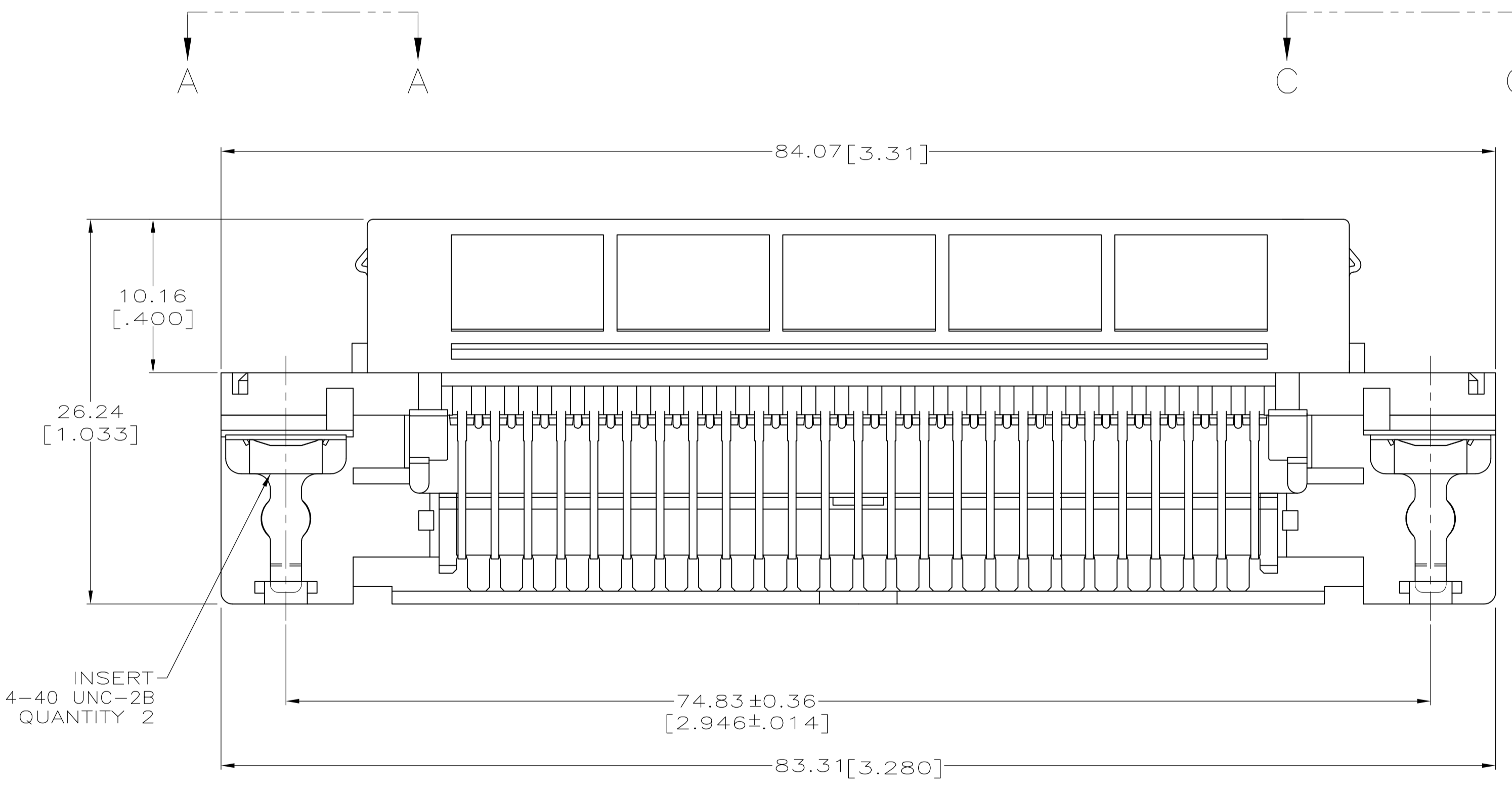


LOC		DIST		REVISIONS			
GP	00	REV	DATE	BY	CHK	APPV	REV
		B	09APR08	BM	WM		
		B1	11NOV09	KK	AEG		



- 1 MATERIAL:
 HOUSING, SUPPORT PLATE & ADAPTER COMB - POLYESTER, BLACK.
 LATCH - ZINC PLATED CARBON STEEL.
 INSERT - BRASS.
 BOARD LOCK - TIN PLATED CARBON STEEL.
 TERMINALS - HIGH STRENGTH COPPER ALLOY PLATED WITH EITHER 0.76µm [.000030] MIN GOLD PLATE OR GOLD FLASH OVER PALLADIUM NICKEL PLATE, 0.76µm [.000030] MIN TOTAL ON MATING SURFACE. 3.05µm [.000120] MIN TIN PLATE ON TAILS. ALL OVER 1.27µm [.000050] MIN NICKEL UNDERPLATE OVER ENTIRE TERMINAL.
2. THE CONTACT SURFACES OF THE TERMINALS ARE COATED WITH LUBRICANT.
3. CENTER-TO-CENTER SPACING OF TERMINALS IS 2.16 [.085] NOMINAL.
- 4 ALL DIMENSIONS SHOWN ARE MAXIMUM UNLESS OTHERWISE SPECIFIED.
- 5 TERMINAL 1 LOCATED IN THIS ROW FOR STANDARD ORIENTATION. SEE VIEW A-A.
- 6 BOARD LOCK RETAINS CONNECTOR IN 1.58 [.062] THICK PC BOARD WITHOUT ADDITIONAL HARDWARE.
- 7 BOARD LOCK LOCATES CONNECTOR FLUSH WITH TOP OF PC BOARD AND SPRING LOCKS BENEATH.
- 8 CYLINDRICAL SHAPE OFFERS 180° OF SOLDERING SURFACE.
- 9 SURFACE AREA BELOW PC BOARD SHALL PASS SOLDERABILITY REQUIREMENTS IN ACCORDANCE WITH AMP SPEC 109-11-2. DISCOLORATION, SCRATCHES, SPOTS AND OTHER COSMETIC DEFICIENCIES TYPICAL OF BARREL PLATING PROCESSES ARE ACCEPTABLE PROVIDING PARTS PASS 24 HOUR EXPOSURE AT 95% RH AT 40° C WITHOUT EVIDENCE OF CORROSION.
- 10 OPTIONAL BRACKET SUPPLIED BY CUSTOMER.
- 11 TERMINAL 1 LOCATED IN THIS ROW FOR REVERSE ORIENTATION. SEE VIEW C-C.
- 12 ONE LATCH ONLY, LOCATED AT CIRCUIT 1/26 END, P/N 6116761-5 AND 6116761-6.
- 13 OBSOLETE PARTS: OBSOLETE CIS STREAMLINING PER D.RENAUD/D.SINISI



ORIENTATION	DESCRIPTION	PART NUMBER
REVERSE, SEE VIEW C-C		6116761-6
STANDARD, SEE VIEW A-A		6116761-5
REVERSE, SEE VIEW C-C	NO LATCHES	6116761-4
REVERSE, SEE VIEW C-C	AS SHOWN	6116761-3
STANDARD, SEE VIEW A-A	NO LATCHES	6116761-2
STANDARD, SEE VIEW A-A	AS SHOWN	6116761-1

THIS DRAWING IS A CONTROLLED DOCUMENT.

DIMENSIONS: mm (INCHES)	TOLERANCES UNLESS OTHERWISE SPECIFIED:	APPROVED: W. MILLHIMES	DATE: 01SEP05	NAME: W. MILLHIMES	DATE: 01SEP05	RESTRICTED TO: CUSTOMER DRAWING
0 PLC ± .05	1 PLC ± .02	2 PLC ± .01	3 PLC ± .005	4 PLC ± .002	ANGLES ± .05	

THIS DRAWING IS A CONTROLLED DOCUMENT.

DIN B	MCMASTER	01SEP05	Tyco Electronics Corporation
CHK W	MILLHIMES	01SEP05	Harrisburg, PA 17105-3608
APPROVED: W. MILLHIMES	DATE: 01SEP05	NAME: W. MILLHIMES	
PRODUCT SPEC	APPLICATION SPEC	SIZE: A1	CAGE CODE: 00779
WEIGHT: -	DRAWING NO: 6116761	SCALE: 4:1	SHEET: 1 OF 1

RECEPTACLE ASSEMBLY, LOW PROFILE, RIGHT ANGLE, 50 POSITION, BOARD LOCK, INTEGRAL LOCKING LATCH, CHAMP