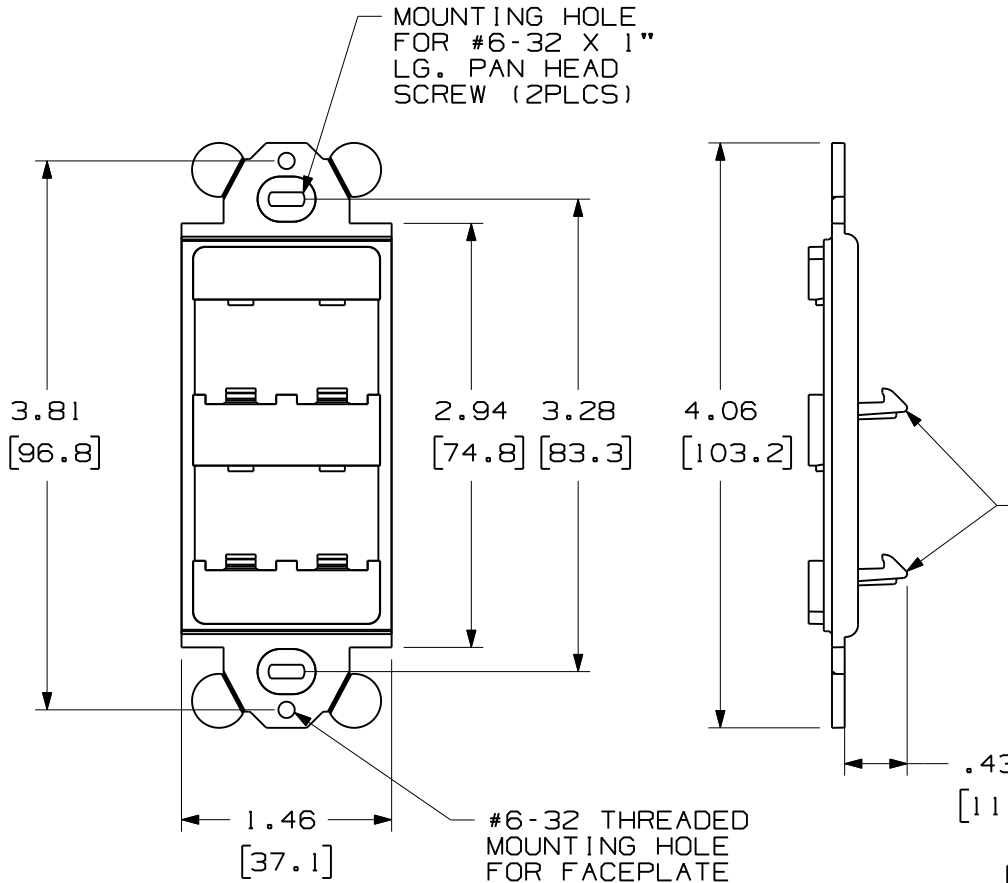


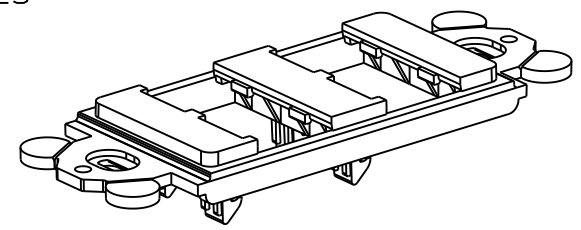
THIS COPY IS PROVIDED ON A RESTRICTED BASIS AND IS NOT TO BE USED IN ANY WAY DETRIMENTAL TO THE INTERESTS OF PANDUIT CORP.

PANDUIT P/N	WEIGHT
CFG4**	.19 LB/10PCS (89.6 g/10 PCS)



- NOTES:
1. SEE CURRENT CATALOG FOR ADDITIONAL PART NUMBER SUFFIXES TO INDICATE COLOR AND/OR PACKAGE QUANTITY.
 2. SEE CATALOG FOR COMPLETE LIST OF PARTS APPLICABLE OR USE WITH THIS PART.
 3. DIMENSIONS IN PARENTHESES ARE IN METRIC.
 4. (2) #6-32 X 1" PANHEAD SCREWS ARE SUPPLIED

LATCHING HOOKS FOR PANDUIT MODULES



PART NUMBER	CFG4**	PRODUCT SPEC/PKG SPEC	N/A
I.I. NUMBER	N/A	WORK INSTRUCTION	N/A

TITLE
"GFCI" MODULE FRAME FOUR POSITION
 CUSTOMER DRAWING

ITEM REVISION NAME
M00021BA/02.PRT

DATASET FILE NAME
M00021BA_DC03/02A.PRT



UNLESS OTHERWISE SPECIFIED, DIMENSIONAL TOLERANCES ARE: IN (mm)
 .x : .xxx : .010 (.3)
 .xx : .03 (.8) ANGLES :

MATERIAL:
ABS

THIRD ANGLE PROJECTION

DRAWING NUMBER:
00021-03

REV	DATE	BY	CHK	APR	DESCRIPTION	ECN
4	11-6-12	BJN	JSP	JSP	A. UPDATED FORMAT TO REFLECT CURRENT PANDUIT LOGO REVISED & REDRAWN PREVIOUS REVS REMOVED FOR CLARITY	00021-03

REV	DATE	BY	CHK	APR	DESCRIPTION	ECN	DRAWN BY	DATE	CHK	SCALE	SHT 1 OF 1	SIZE
							RCA	7-28-97	CEF	NONE		A