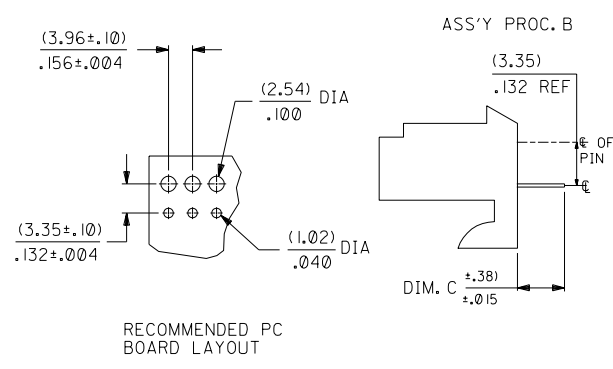


- NOTES:
1. TERMINALS MUST CONFORM TO SOLDERABILITY SPEC. ES-152.
 2. PARTS CONFORM TO PRODUCT SPEC 08-50.
 3. HOUSING MATERIAL: NYLON, UL LISTED
 4. "*" PRECEDING ENG. NO. IN CHARTS DESIGNATES STANDARD PRODUCT.
 5. TERMINAL TAIL CENTERLINES ARE TO BE WITHIN (.30)/.012 OF EACH OTHER.
 6. FOR KINKED PIN INFORMATION SEE SMES-42329-***.



A - 2145 - * * N * * * - *
 VOID LOCATION
 ASS'Y. PROCEDURE
 A=RIGHT ANGLE
 B=BOTTOM ENTRY
 C=TOP ENTRY
 D=TOP ENTRY WITH KINKED TAIL
 E=BOTTOM ENTRY WITH HOOKS CUT OFF
 F=TOP ENTRY WITH HOOKS CUT OFF
 PACKAGING CODE
 BLANK=BULK PACK
 A=TUBE PACK PER PK-40873-0026

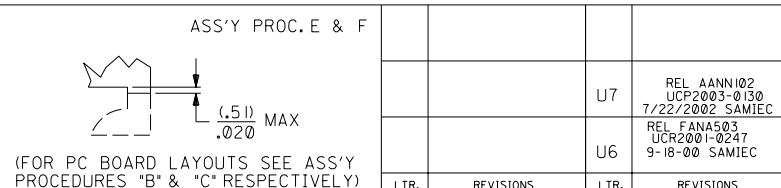
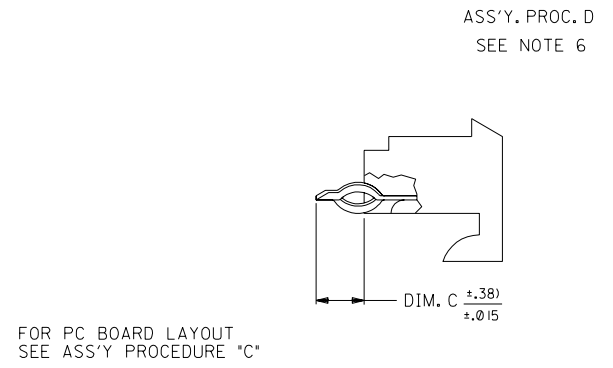
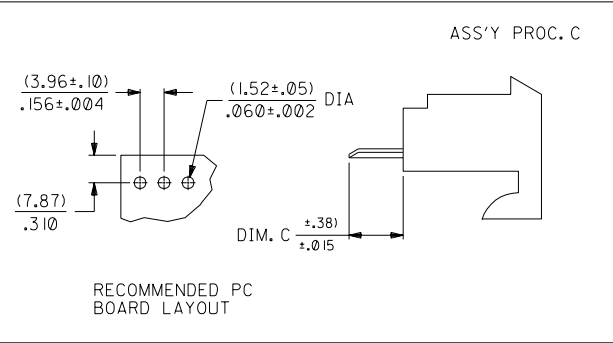
PLATING
 (102) 200 M.I. MIN TIN OVER 100 M.I. MIN COPPER
 (587) SELECT GOLD 15 M.I. MIN
 SELECT TIN-LEAD 75 M.I. MIN. OVER
 50 M.I. MIN NICKEL

HOUSING NO.
 A=2145-N-AN
 94V-2 NATURAL WITH RAMPES AND HOOKS
 B=2145-NBK-AN
 94V-2 DYED BLACK WITH RAMPES AND HOOKS
 C=2145-A-AN
 94V-0 NATURAL WITH RAMPES AND HOOKS
 G=2145-N-CN
 94V-2 NATURAL WITH HOOKS ONLY
 H=2145-NGN-AN
 94V-2 DYED GREEN WITH RAMPES AND HOOKS
 J=2145-NYW-AN
 94V-2 DYED YELLOW WITH RAMPES AND HOOKS
 K=2145-NRD-AN
 94V-2 DYED RED WITH RAMPES AND HOOKS
 L=2145-N-AN-5
 94V-2 NATURAL W/ RAMPES AND HOOKS MOLDED IN VOIDS

TERMINAL NO.
 A=2144-AA-AIAA(+)B (BRASS)
 B=2144-BA-AIAA(+)B (PHOS BRONZE)
 C=2144-AA-A2AA(+)B (BRASS)
 D=2144-BA-A2AA(+)B (PHOS BRONZE)
 E=6298-A(+) (PHOS BRONZE) LOW FORCE
 H=2188-(*) (BRASS)
 J=2188-(*) (BRASS)
 K=4244-(*) (BRASS)
 L=6298-(*) (PHOS BRONZE)
 M=2144-BA-BIAA(+)B (PHOS BRONZE) LOW FORCE
 N=4244-A(+) (PHOS BRONZE)

| NO. OF CKTS. | DIM. A | DIM. B | KINK PIN LOCATION (ASSY. PROC. D ONLY) |
|--------------|---------------------------------|--------------------|--|
| 2 | (3.96 ± .13) .156 ± .005 | (7.82) .308 | N/A |
| 3 | (7.92 ± .13) .312 ± .005 | (11.79) .464 | N/A |
| 4 | (11.89 ± .13) .468 ± .005 | (15.75) .620 | 1, 2 3, 4 |
| 5 | (15.85 ± .13) .624 ± .005 | (19.71) .776 | 2, 3 4, 5 |
| 6 | (19.81 ± .13) .780 ± .005 | (23.67) .932 | 2, 3 4, 5 |
| 7 | (23.77 ± .25) .936 ± .010 | (27.64) 1.088 | 2, 3 5, 6 |
| 8 | (27.74 ± .25) 1.092 ± .010 | (31.60) 1.244 | 2, 3 6, 7 |
| 9 | (31.70 ± .25) 1.248 ± .010 | (35.56) 1.400 | 2, 3 7, 8 |
| 10 | (35.66 ± .25) 1.404 ± .010 | (39.52) 1.556 | 2, 3 8, 9 |
| 11 | (39.62 ± .25) 1.560 ± .010 | (43.48) 1.712 | 2, 3 9, 10 |
| 12 | (43.59 ± .25) 1.716 ± .010 | (47.45) 1.868 | 2, 3 10, 11 |
| 13 | (47.55 ± .25) 1.872 ± .010 | (51.41) 2.024 | 2, 3 11, 12 |
| 14 | (51.51 ± .36) 2.028 ± .014 | (55.37) 2.180 | 2, 3 12, 13 |
| 15 | (55.47 ± .36) 2.184 ± .014 | (59.33) 2.336 | 2, 3 13, 14 |
| 16 | (59.44 ± .36) 2.340 ± .014 | (63.30) 2.492 | 2, 3 14, 15 |

| | |
|----|----|
| 20 | U |
| 19 | T |
| 18 | U7 |
| 17 | M |
| 16 | T6 |
| 15 | T |
| 14 | T2 |
| 13 | U6 |
| 12 | U5 |
| 11 | R3 |
| 10 | U |
| 9 | T |
| 8 | T |
| 7 | U3 |
| 6 | U |
| 5 | U |
| 4 | U |
| 3 | U |
| 2 | U |
| 1 | U7 |



DIMENSIONS SHOWN (METRIC) INCH UNLESS OTHERWISE SPECIFIED TOLERANCES: ANGULAR ± 1/2°

| INCH | METRIC |
|----------------|--------|
| 3 PLACE ± .010 | --- |
| 2 PLACE ± .014 | ± 0.25 |
| 1 PLACE --- | ± 0.36 |

DRAFT WHERE APPLICABLE MUST REMAIN WITHIN DIMENSIONS

DRWG. PEREZ-ARGUETA BY LENZ SCALE

CHK'D. PATEL

FILE NAME S2145X1

TITLE HOUSING ASS'Y, P.C. TAIL (3.96)/.156 C 2145 SERIES DRAWING

MOLEX INCORPORATED U.S.A. 60532

SHEET NO. 1 OF 20 DATE 7/9/87

SEE CHART SDA-2145

THIS DRAWING CONTAINS INFORMATION THAT IS PROPRIETARY TO MOLEX INC. AND SHOULD NOT BE USED WITHOUT WRITTEN PERMISSION.

| | 13 | 12 | 11 | 10 | 9 | 8 | 7 | 6 | 2145 | 4 | 3 | 2 | 1 | | |
|---|---------------------|-------------|--------------------|---------------|--------------|---|--------|---|----------------|---|---|---|---|--|---|
| J | ENG. NO. | | HOUSING NO. | | TERMINAL NO. | | DIM. C | | EDP ON SHT/COL | | | | | | J |
| | A-2145-AANA(102)-* | 2145-N-AN | 2144-AA-AIAA-102B | (3.68) / .145 | 7 / 1 | | | | | | | | | | |
| | A-2145-AANA(122)-* | 2145-N-AN | 2144-AA-AIAA-122B | (3.68) / .145 | 7 / 2 | | | | | | | | | | |
| | A-2145-AANA(505)-** | 2145-N-AN | 2144-AA-AIAA-505B | (3.68) / .145 | 7 / 3 | | | | | | | | | | |
| | A-2145-AANA(507)-** | 2145-N-AN | 2144-AA-AIAA-507B | (3.68) / .145 | 7 / 4 | | | | | | | | | | |
| I | A-2145-AANB(558)-** | 2145-N-AN | 2144-BA-AIAA-558B | (3.68) / .145 | 8 / 1 | | | | | | | | | | I |
| | A-2145-AANA(P913)-* | 2145-N-AN | 2144-AA-AIAA-P913B | (3.68) / .145 | 8 / 2 | | | | | | | | | | |
| | A-2145-ABNA(122)-* | 2145-NBK-AN | 2144-AA-AIAA-122B | (3.68) / .145 | 8 / 3 | | | | | | | | | | |
| | A-2145-ABNA(P913)-* | 2145-NBK-AN | 2144-AA-AIAA-P913B | (3.68) / .145 | 8 / 4 | | | | | | | | | | |
| | A-2145-AANA(587)-** | 2145-N-AN | 2144-AA-AIAA-587B | (3.68) / .145 | 9 / 1 | | | | | | | | | | |
| H | A-2145-AGNA(P913)-* | 2145-N-CN | 2144-AA-AIAA-587B | (3.68) / .145 | 9 / 2 | | | | | | | | | | H |
| | A-2145-BANH(102)-* | 2145-N-AN | 2188-(102) | (4.06) / .160 | 9 / 3 | | | | | | | | | | |
| | A-2145-BANH(122)-* | 2145-N-AN | 2188-(122) | (4.06) / .160 | 9 / 4 | | | | | | | | | | |
| | A-2145-BANL(P913)-* | 2145-N-AN | 6298-(P913) | (4.06) / .160 | 10 / 1 | | | | | | | | | | |
| | A-2145-BANL(565)-** | 2145-N-AN | 6298-(565) | (4.06) / .160 | 10 / 2 | | | | | | | | | | |
| | A-2145-BBNH(122)-* | 2145-NBK-AN | 2188-(122) | (4.06) / .160 | 10 / 3 | | | | | | | | | | |
| G | A-2145-CANA(102)-* | 2145-N-AN | 2144-AA-AIAA-102B | (3.05) / .120 | 10 / 4 | | | | | | | | | | G |
| | A-2145-CANA(122)-* | 2145-N-AN | 2144-AA-AIAA-122B | (3.05) / .120 | 11 / 1 | | | | | | | | | | |
| | A-2145-CANB(565)-** | 2145-N-AN | 2144-BA-AIAA-565B | (3.05) / .120 | 11 / 2 | | | | | | | | | | |
| | A-2145-CANC(P913)-* | 2145-N-AN | 2144-AA-A2AA-P913B | (4.80) / .189 | 11 / 3 | | | | | | | | | | |
| | A-2145-FGNA(587)-** | 2145-N-CN | 2144-AA-AIAA-587B | (3.05) / .120 | 11 / 4 | | | | | | | | | | |
| F | A-2145-FANA(P913)-* | 2145-N-AN | 2144-AA-AIAA-P913B | (3.05) / .120 | 12 / 1 | | | | | | | | | | F |
| | A-2145-DANC(P913)-* | 2145-N-AN | 2144-AA-A2AA-P913B | (4.80) / .189 | 12 / 2 | | | | | | | | | | |
| | A-2145-BBNH(P913)-* | 2145-NBK-AN | 2188-(P913) | (4.06) / .160 | 12 / 3 | | | | | | | | | | |
| | A-2145-CBNA(P913)-* | 2145-NBK-AN | 2144-AA-AIAA-P913B | (3.05) / .120 | 12 / 4 | | | | | | | | | | |
| | A-2145-FGNA(550)-** | 2145-N-CN | 2144-AA-AIAA-550B | (3.05) / .120 | 13 / 1 | | | | | | | | | | |
| | A-2145-BANH(P913)-* | 2145-N-AN | 2188-(P913) | (4.06) / .160 | 13 / 2 | | | | | | | | | | |
| E | A-2145-BANH(587)-** | 2145-N-AN | 2188-(587) | (4.06) / .160 | 13 / 3 | | | | | | | | | | E |
| | A-2145-FANA(503)-** | 2145-N-AN | 2144-AA-AIAA-503B | (3.05) / .120 | 13 / 4 | | | | | | | | | | |
| | A-2145-EANH(P913)-* | 2145-N-AN | 2188-(P913) | (4.06) / .160 | 14 / 1 | | | | | | | | | | |
| | A-2145-AANK(P913)-* | 2145-N-AN | 4244-(P913) | (3.68) / .145 | 14 / 2 | | | | | | | | | | |
| | A-2145-ABNK(P913)-* | 2145-NBK-AN | 4244-(P913) | (3.68) / .145 | 14 / 3 | | | | | | | | | | |
| D | A-2145-ABNA(587)-** | 2145-NBK-AN | 2144-AA-AIAA-587B | (3.68) / .145 | 14 / 4 | | | | | | | | | | D |
| | A-2145-AANA(109)-** | 2145-N-AN | 2144-AA-AIAA-109B | (3.68) / .145 | 15 / 1 | | | | | | | | | | |
| | A-2145-CANA(P913)-* | 2145-N-AN | 2144-AA-AIAA-P913B | (3.05) / .120 | 15 / 2 | | | | | | | | | | |
| | A-2145-AANB(122)-* | 2145-N-AN | 2144-BA-AIAA(122)B | (3.68) / .145 | 15 / 3 | | | | | | | | | | |
| | A-2145-BANL(122)-* | 2145-N-AN | 6298-(122) | (4.06) / .160 | 15 / 4 | | | | | | | | | | |
| | A-2145-CANB(122)-* | 2145-N-AN | 2144-BA-AIAA(122)B | (3.05) / .120 | 16 / 1 | | | | | | | | | | |
| C | A-2145-EGNH(P913)-* | 2145-N-CN | 2188-(P913) | (4.06) / .160 | 16 / 2 | | | | | | | | | | C |
| | A-2145-FGNA(P913)-* | 2145-N-CN | 2144-AA-AIAA-P913B | (3.05) / .120 | 16 / 3 | | | | | | | | | | |
| | A-2145-CANA(587)-** | 2145-N-AN | 2144-AA-AIAA-587B | (3.05) / .120 | 16 / 4 | | | | | | | | | | |
| | A-2145-BHNH(122)-* | 2145-NGN-AN | 2188-(122) | (4.06) / .160 | 17 / 1 | | | | | | | | | | |
| | A-2145-BJNH(122)-* | 2145-NYW-AN | 2188-(122) | (4.06) / .160 | 17 / 2 | | | | | | | | | | |
| B | A-2145-BKNH(122)-* | 2145-NRD-AN | 2188-(122) | (4.06) / .160 | 17 / 3 | | | | | | | | | | B |
| | | | | / | / | | | | | | | | | | |
| | | | | | | | | | | | | | | | |
| | | | | | | | | | | | | | | | |
| A | | | | | | | | | | | | | | | A |

| | | | | | | | |
|-------------|-------------|-------------|--|--|---|----------------|---------------------------|
| SEE SHEET I | M1 | SEE SHEET I | DIMENSIONS SHOWN (METRIC) INCH | | ▽ = 0 | ▽ = 0 | REVISE ONLY ON CAD SYSTEM |
| SEE SHEET I | M | SEE SHEET I | UNLESS OTHERWISE SPECIFIED TOLERANCES ANGULAR ± 1/2° | | TITLE HOUSING ASS'Y, P.C. TAIL (3.96) / .156 C 2145 SERIES DRAWING | | |
| U | SEE SHEET I | K | SEE SHEET I | INCH METRIC | MOLEX INCORPORATED SHEET NO. 5 DATE 7 / 9 / 87 | | |
| T | SEE SHEET I | J3 | SEE SHEET I | 3 PLACE ± | PART NO. SEE CHART DRWG. NO. SDA-2145 | | |
| G | SEE SHEET I | J | SEE SHEET I | 2 PLACE ± | FILE NAME S2145X5 THIS DRAWING CONTAINS INFORMATION THAT IS PROPRIETARY TO MOLEX INC. AND SHOULD NOT BE USED WITHOUT WRITTEN PERMISSION | | |
| R | SEE SHEET I | H | SEE SHEET I | 1 PLACE ± | BY: PEREZ, ENQ'D. PATEL | | |
| G | SEE SHEET I | GI | SEE SHEET I | DRAFT WHERE APPLICABLE MUST REMAIN WITHIN DIMENSIONS | | | |
| M3 | SEE SHEET I | GI | SEE SHEET I | APP'D. BY: LENZ | SCALE: 1 | DIN. SIZE KK C | |
| LTR. | REVISIONS | LTR. | REVISIONS | | | | |

| A-2 145-EANH(P913)-* | | | A-2 145-AANK(P913)-* | | | A-2 145-ABNK(P913)-* | | | A-2 145-ABNA(587)-* | | |
|----------------------|----------------------|-----------|----------------------|----------------------|-----------|----------------------|----------------------|-----------|---------------------|----------------------|-----------|
| PART NO. | ENG. NO(SUFFIX ONLY) | VOID CKT. | PART NO. | ENG. NO(SUFFIX ONLY) | VOID CKT. | PART NO. | ENG. NO(SUFFIX ONLY) | VOID CKT. | PART NO. | ENG. NO(SUFFIX ONLY) | VOID CKT. |
| | -EA2H(P913) | | | -AA2K(P913) | | | -AB2K(P913) | | | -AB2A(587) | |
| | -EA3H(P913) | | 09-52-3035 | -AA3K(P913) | | | -AB3K(P913) | | | -AB3A(587) | |
| | -EA4H(P913) | | 09-52-3045 | -AA4K(P913) | | | -AB4K(P913) | | | -AB4A(587) | |
| | -EA5H(P913) | | 09-52-3055 | -AA5K(P913) | | | -AB5K(P913) | | | -AB5A(587) | |
| | -EA6H(P913) | | 09-52-3065 | -AA6K(P913) | | 09-53-3065 | -AB6K(P913) | | 09-82-3061 | -AB6A(587) | |
| | -EA7H(P913) | | | -AA7K(P913) | | | -AB7K(P913) | | | -AB7A(587) | |
| 09-52-3086 | -EA8H(P913) | | 09-52-3085 | -AA8K(P913) | | | -AB8K(P913) | | | -AB8A(587) | |
| 09-52-3096 | -EA9H(P913) | | 09-52-3095 | -AA9K(P913) | | | -AB9K(P913) | | | -AB9A(587) | |
| | -EA10H(P913) | | 09-52-3105 | -AA10K(P913) | | 09-53-3105 | -AB10K(P913) | | | -AB10A(587) | |
| | -EA11H(P913) | | | -AA11K(P913) | | | -AB11K(P913) | | | -AB11A(587) | |
| 09-52-3124 | -EA12H(P913) | | 09-52-3125 | -AA12K(P913) | | | -AB12K(P913) | | | -AB12A(587) | |
| | -EA13H(P913) | | | -AA13K(P913) | | | -AB13K(P913) | | | -AB13A(587) | |
| | -EA14H(P913) | | | -AA14K(P913) | | | -AB14K(P913) | | | -AB14A(587) | |
| | -EA15H(P913) | | 09-52-3155 | -AA15K(P913) | | 09-53-3155 | -AB15K(P913) | | | -AB15A(587) | |
| | -EA16H(P913) | | | -AA16K(P913) | | | -AB16K(P913) | | | -AB16A(587) | |

| | | | | | | | | | | | |
|--------------|----------------------|-----------|--------------|----------------------|-----------|--------------|----------------------|-------------|--------------|----------------------|-----------|
| COLUMN NO. 1 | CON'T. IN COLUMN NO. | SHEET NO. | COLUMN NO. 2 | CON'T. IN COLUMN NO. | SHEET NO. | COLUMN NO. 3 | CON'T. IN COLUMN NO. | SHEET NO. | COLUMN NO. 4 | CON'T. IN COLUMN NO. | SHEET NO. |
| | | | | | | SEE SHEET 1 | | SEE SHEET 1 | | | |
| | | | | | | SEE SHEET 1 | | SEE SHEET 1 | | | |
| | | | | | | SEE SHEET 1 | | SEE SHEET 1 | | | |
| | | | | | | SEE SHEET 1 | | SEE SHEET 1 | | | |
| | | | | | | SEE SHEET 1 | T2 | SEE SHEET 1 | | | |
| | | | | | | SEE SHEET 1 | D8 | SEE SHEET 1 | | | |
| | | | | | | SEE SHEET 1 | A | SEE SHEET 1 | | | |
| LTR. | REVISIONS | | LTR. | REVISIONS | | | | | | | |

DIMENSIONS SHOWN (METRIC) INCH
UNLESS OTHERWISE SPECIFIED
TOLERANCES ANGULAR ± 1/2°

| INCH | | METRIC | |
|---------|---|--------|--|
| 3 PLACE | ± | | |
| 2 PLACE | ± | | |
| 1 PLACE | ± | | |

DRAFT WHERE APPLICABLE MUST
REMAIN WITHIN DIMENSIONS

DRWG. PEREZ - ENK'D. PATEL
BY ARGUETA BY
APP'D. LENZ SCALE :

▽ = 0 ▽ = 0 **REVISE ONLY ON CAD SYSTEM**

TITLE
HOUSING ASS'Y, P.C. TAIL
(3,96)/.156 C
2145 SERIES DRAWING

MOLEX INCORPORATED SHEET NO. 14 DATE 7 / 9 / 87
LISLE, ILL. 60532 U.S.A.

PART NO. **SEE CHART** DRWG. NO. **SDA-2145**

FILE NAME: S2145X14 THIS DRAWING CONTAINS INFORMATION THAT IS PROPRIETARY TO MOLEX INC. AND SHOULD NOT BE USED WITHOUT WRITTEN PERMISSION. KKC

2145