

SUBCON-PLUS-CAN/35/M12 - D-SUB bus connector



2902325

<https://www.phoenixcontact.com/pc/products/2902325>

Please be informed that the data shown in this PDF document is generated from our online catalog. Please find the complete data in the user documentation. Our general terms of use for downloads are valid.

D-SUB plug, 9-pos., socket, assignment: 2, 3, 5, 6, 7, 9; two 35° cable entries M12 (A-coded).
Bus system: CAN, CANopen®. Termination resistor via separate M12 terminator.



Product description

The SUBCON-PLUS fast connectors with M12 connection ensure error-free installation of bus systems, thanks to the use of fully-tested components such as cables and connectors. The innovative housing concept is lightweight yet offers optimum mechanical protection against environmental influences. This means that the fast connection plugs are ideal, even in applications subject to vibration. The unique SPEEDCON fast locking system on the M12 connections offers reliable connection with just half a turn.

Your advantages

- Easy startup, plug and play
- Error-free installation, particularly in standard machine production
- Quick connection thanks to M12-SPEEDCON fast locking system
- Low weight
- CANopen[®]
- Termination using M12 termination resistor
- Adapter between IP20 and IP67 environments
- Through-contacted shielding from M12 to D-SUB

Commercial data

Item number	2902325
Packing unit	1 pc
Minimum order quantity	1 pc
Product key	DNC541
Catalog page	Page 445 (C-6-2019)
GTIN	4046356655002
Weight per piece (including packing)	68.7 g
Weight per piece (excluding packing)	68.7 g
Customs tariff number	85366990
Country of origin	CN

SUBCON-PLUS-CAN/35/M12 - D-SUB bus connector



2902325

<https://www.phoenixcontact.com/pc/products/2902325>

Technical data

Product properties

Product type	Data plug
MTTF	6706 Years (SN 29500 standard, temperature 25°C, operating cycle 21%)
	1817 Years (SN 29500 standard, temperature 40°C, operating cycle 34.25%)
	155 Years (SN 29500 standard, temperature 40°C, operating cycle 100%)
Pin assignment	2, 3, 5, 7, 9

Electrical properties

Nominal voltage U_N	5 V
Nominal current I_N	100 mA

Connection data

D-SUB connection

Connection method	D-SUB socket
-------------------	--------------

M12 connector

Connection method	M12 male, A-coded
-------------------	-------------------

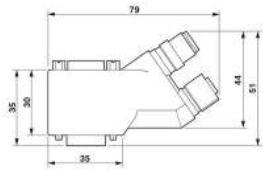
M12 connector

Connection method	M12 female, A-coded
-------------------	---------------------

Interfaces

Bus system	CAN, CANopen, SafetyBus-P
Signal	CAN
	CANopen®

Dimensions

Dimensional drawing	
Width	16 mm
Height	46 mm
Length	79 mm

Material specifications

Material	Polyamide
----------	-----------

Environmental and real-life conditions

SUBCON-PLUS-CAN/35/M12 - D-SUB bus connector



2902325

<https://www.phoenixcontact.com/pc/products/2902325>

Ambient conditions

Degree of protection	IP40
Ambient temperature (operation)	-30 °C ... 80 °C
Ambient temperature (storage/transport)	-40 °C ... 85 °C
Ambient temperature (assembly)	-20 °C ... 80 °C
Altitude	≤ 5000 m (For restrictions, see the manufacturer's declaration for altitude operation)
Permissible humidity (operation)	10 % ... 95 % (non-condensing)
Permissible humidity (storage/transport)	5 % ... 95 % (non-condensing)

Standards and regulations

Free from substances that could impair the application of coating	in accordance with VW-AUDI-Seat central standard P-VW 3.10.7 57 65 0
---	--

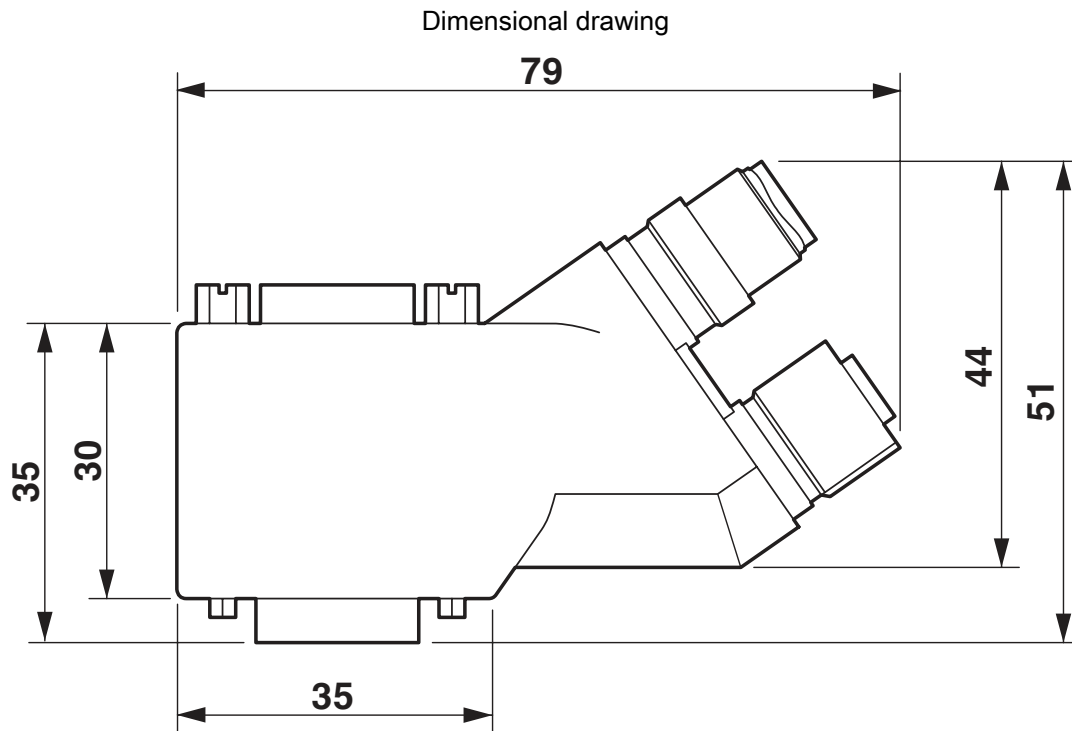
SUBCON-PLUS-CAN/35/M12 - D-SUB bus connector



2902325

<https://www.phoenixcontact.com/pc/products/2902325>

Drawings



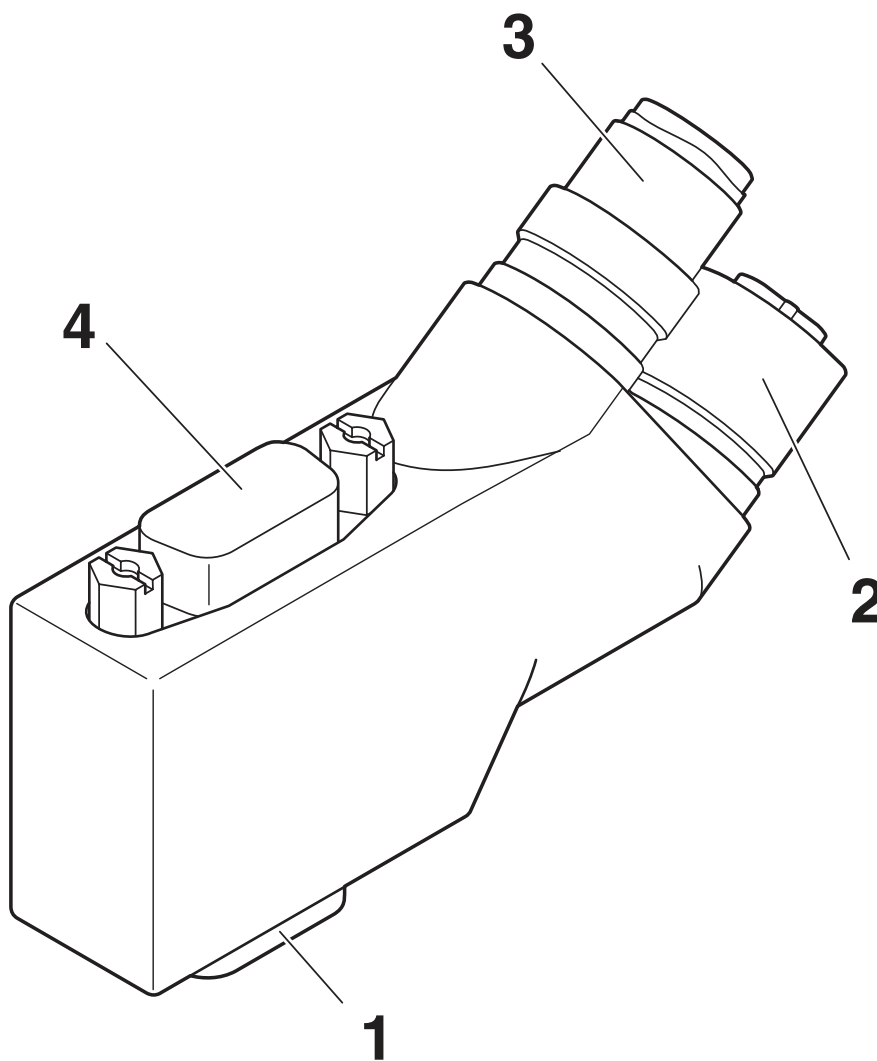
SUBCON-PLUS...35...M12 dimensional drawing, 35° version

SUBCON-PLUS-CAN/35/M12 - D-SUB bus connector

2902325

<https://www.phoenixcontact.com/pc/products/2902325>

Schematic diagram



Function elements

1 = D-SUB 9

2 = Outgoing M12 connection

3 = Incoming M12 connection

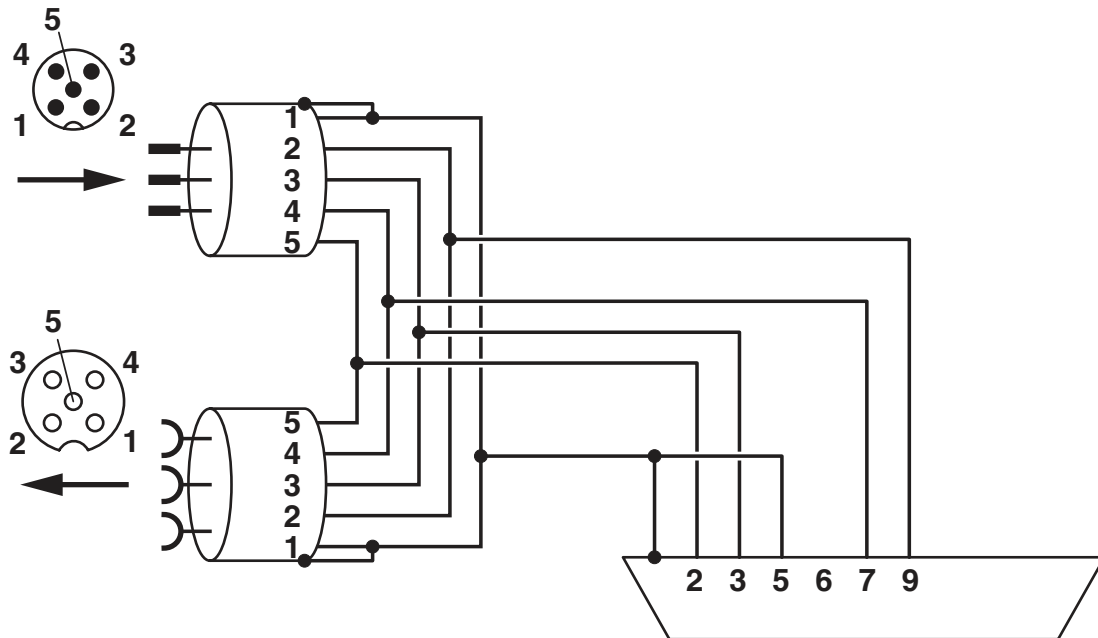
4 = D-SUB PG connection (depending on the version)

SUBCON-PLUS-CAN/35/M12 - D-SUB bus connector

2902325

<https://www.phoenixcontact.com/pc/products/2902325>

Block diagram



SUBCON-PLUS-CAN/...M12 function block diagram

SUBCON-PLUS-CAN/35/M12 - D-SUB bus connector



2902325

<https://www.phoenixcontact.com/pc/products/2902325>

Approvals

To download certificates, visit the product detail page: <https://www.phoenixcontact.com/pc/products/2902325>



cUL Recognized

Approval ID: FILE E 238705



UL Recognized

Approval ID: FILE E 238705

cULus Recognized

SUBCON-PLUS-CAN/35/M12 - D-SUB bus connector



2902325

<https://www.phoenixcontact.com/pc/products/2902325>

Classifications

ECLASS

ECLASS-11.0	27440302
ECLASS-12.0	27440302
ECLASS-13.0	27440302

ETIM

ETIM 8.0	EC001132
----------	----------

UNSPSC

UNSPSC 21.0	39121400
-------------	----------

SUBCON-PLUS-CAN/35/M12 - D-SUB bus connector



2902325

<https://www.phoenixcontact.com/pc/products/2902325>

Environmental product compliance

REACH SVHC	Lead 7439-92-1
China RoHS	Environmentally Friendly Use Period = 50 years
	For information on hazardous substances, refer to the manufacturer's declaration available under "Downloads"

SUBCON-PLUS-CAN/35/M12 - D-SUB bus connector



2902325

<https://www.phoenixcontact.com/pc/products/2902325>

Accessories

SAC-5P-M12MS CAN TR - Termination resistor

1507816

<https://www.phoenixcontact.com/pc/products/1507816>



Terminating resistor CANopen[®]/DeviceNet[™] M12

SAC-5P-M12FS CAN TR - Termination resistor

1529344

<https://www.phoenixcontact.com/pc/products/1529344>



Terminating resistor CANopen[®]/DeviceNet[™] M12

SUBCON-PLUS-CAN/35/M12 - D-SUB bus connector



2902325

<https://www.phoenixcontact.com/pc/products/2902325>

SUBCON-PLUS-CAN/35/PG/M12 - D-SUB bus connector

2902324

<https://www.phoenixcontact.com/pc/products/2902324>



D-SUB plug, 9-pos., socket, with PG-D-SUB pin, assignment: 2, 3, 5, 6, 7, 9; two 35° cable entries M12 (A-coded). Bus system: CAN, CANopen®. Termination resistor via separate M12 terminator.

SAC-5P-MS/ 0,3-920/FS SCO - Bus system cable

1518258

<https://www.phoenixcontact.com/pc/products/1518258>



Bus system cable, CANopen®, DeviceNet™, 5-position halogen-free, shielded, Plug straight M12, coding: A SPEEDCON, on Socket straight M12, coding: A SPEEDCON, cable length: 0.3 m

SUBCON-PLUS-CAN/35/M12 - D-SUB bus connector



2902325

<https://www.phoenixcontact.com/pc/products/2902325>

SAC-5P-MS/ 1,0-920/FS SCO - Bus system cable

1518274

<https://www.phoenixcontact.com/pc/products/1518274>



Bus system cable, CANopen[®], DeviceNet[™], 5-position halogen-free, shielded, Plug straight M12, coding: A SPEEDCON, on Socket straight M12, coding: A SPEEDCON, cable length: 1 m

SAC-5P-MS/ 5,0-920/FS SCO - Bus system cable

1518290

<https://www.phoenixcontact.com/pc/products/1518290>



Bus system cable, CANopen[®], DeviceNet[™], 5-position halogen-free, shielded, Plug straight M12, coding: A SPEEDCON, on Socket straight M12, coding: A SPEEDCON, cable length: 5 m

SUBCON-PLUS-CAN/35/M12 - D-SUB bus connector



2902325

<https://www.phoenixcontact.com/pc/products/2902325>

SAC-5P-MS-FS SCO/920/... - Bus system cable

1538157

<https://www.phoenixcontact.com/pc/products/1538157>



Bus system cable, CANopen[®], DeviceNet[™], 5-position halogen-free, shielded, Plug straight M12, coding: A SPEEDCON, on Socket straight M12, coding: A SPEEDCON, cable length: Free input (0.2 ... 40.0 m)

SAC-5P-MS/ 2,0-920 SCO - Bus system cable

1518177

<https://www.phoenixcontact.com/pc/products/1518177>



Bus system cable, CANopen[®], DeviceNet[™], 5-position halogen-free, shielded, Plug straight M12, coding: A SPEEDCON, on free cable end, cable length: 2 m

SUBCON-PLUS-CAN/35/M12 - D-SUB bus connector



2902325

<https://www.phoenixcontact.com/pc/products/2902325>

SAC-5P-MS-FR SCO/920/... - Bus system cable

1433304

<https://www.phoenixcontact.com/pc/products/1433304>



Bus system cable, CANopen[®], DeviceNet[™], 5-position halogen-free, shielded, Plug straight M12, coding: A SPEEDCON, on Socket angled M12, coding: A SPEEDCON, cable length: Free input (0.2 ... 40.0 m)

Phoenix Contact 2023 © - all rights reserved

<https://www.phoenixcontact.com>

PHOENIX CONTACT GmbH & Co. KG

Flachsmarktstraße 8

D-32825 Blomberg

+49 (0) 5235-3 00

info@phoenixcontact.com