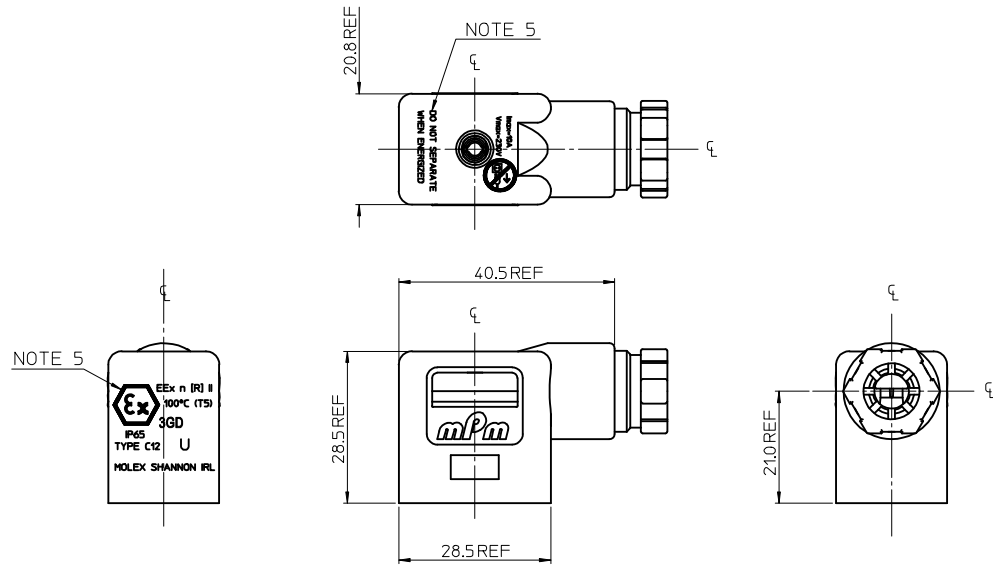
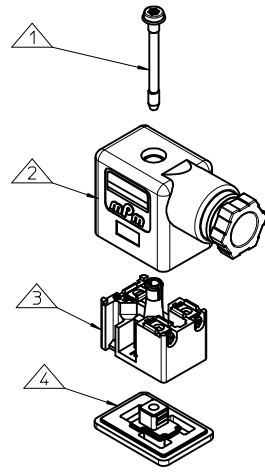


PART NO	MPM PART NO	DESCRIPTION
1210240523	C12209N21ATXE	ATEX CONNECTOR 2P PG9 H12 INEGRATED SILICONE GASKET
1210240574	C12209N21ATXEX	ATEX CONNECTOR 2P PG9 H12 INEGRATED SILICONE GASKET SINGLE BAG



- NOTES
1. PRODUCT SPEC: SEE PS-121201-001
  2. PACKAGING SPEC: SEE PK-121024-001
  3. ENGINEERING SPEC: SEE ES-121024-001
  4. GROUND POSITION SHOWN H12
  5. TAMPO PRINT MARKINGS
  6. NOTE: INSERT IS MADE FROM V0 MATERIAL

LAST INSPECTION NUMBER USED: 3



ITEM	DESCRIPTION
1	31mm M3 TORX SCREW
2	C12 COVER ASSEMBLY
3	C12 INSERT ASSEMBLY
4	GASKET

C12209N21ATXE\*

- SERIES C12= DIN VALVE FORM B INDUSTRIAL
- POLES 2= 2 POLE
- THREAD 09 = PG9
- MATERIAL AND HOUSING COLOUR N= PA6 BLACK NON V0
- GROUND POSITION 2= H12
- SCREW AND GASKET 1= TORX SCREW AND INTEGRATED GASKET  
3= TORX SCREW AND PROFILE GASKET
- ATEX PART NUMBER DESIGNATION
- NON STANDARD PACKAGING
- X= SINGLE BAG MOUNTED



INTEGRATED GASKET



31mm M3 TORX SCREW

<b>UPDATED VIEWS</b> EC NO: IFC2013-0183 DRAWN BY: DRW:DMOYER 2012/09/19 CHKD: CHIKO APPR: STGRUFFIN 2012/11/27	QUALITY SYMBOLS ▽=0 ▽=0	GENERAL TOLERANCES (UNLESS SPECIFIED) <table border="1"> <thead> <tr> <th></th> <th>mm</th> <th>INCH</th> </tr> </thead> <tbody> <tr> <td>4 PLACES</td> <td>± 0.10</td> <td>± 0.004</td> </tr> <tr> <td>3 PLACES</td> <td>± 0.15</td> <td>± 0.006</td> </tr> <tr> <td>2 PLACES</td> <td>± 0.20</td> <td>± 0.008</td> </tr> <tr> <td>1 PLACE</td> <td>± 0.25</td> <td>± 0.010</td> </tr> </tbody> </table>		mm	INCH	4 PLACES	± 0.10	± 0.004	3 PLACES	± 0.15	± 0.006	2 PLACES	± 0.20	± 0.008	1 PLACE	± 0.25	± 0.010	DIMENSION STYLE <b>MM ONLY</b>	SCALE <b>1.5:1</b>	DESIGN UNITS <b>METRIC</b>	THIRD ANGLE PROJECTION
		mm	INCH																		
	4 PLACES	± 0.10	± 0.004																		
	3 PLACES	± 0.15	± 0.006																		
2 PLACES	± 0.20	± 0.008																			
1 PLACE	± 0.25	± 0.010																			
DRAWN BY: DSHEA DATE: 2011/05/31 CHECKED BY:	DATE: 2011/12/12	APPROVED BY: EFOLAN DATE: 2011/12/12	MATERIAL NO.	DOCUMENT NO.	TITLE <b>ATEX C12 SALES DRAWING</b>																
DRAFT WHERE APPLICABLE MUST REMAIN WITHIN DIMENSIONS	<b>SEE TABLE</b>	SIZE <b>A2</b>	THIS DRAWING CONTAINS INFORMATION THAT IS PROPRIETARY TO MOLEX INCORPORATED AND SHOULD NOT BE USED WITHOUT WRITTEN PERMISSION	<b>MOLEX</b>	<b>MOLEX INCORPORATED</b>	SHEET NO. <b>1 OF 1</b>															