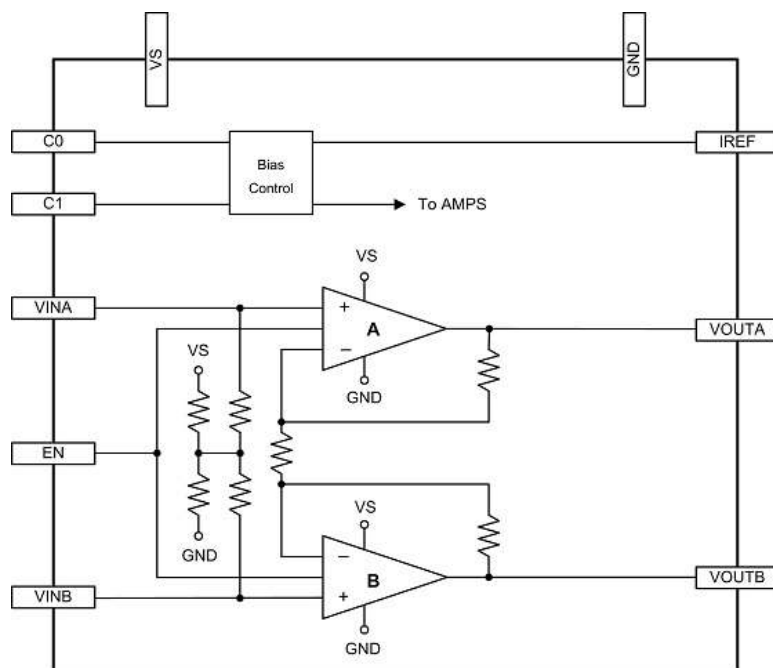


Le87501

PLC Single Channel Line Driver BD870 Series

The Le87501 is a single channel line driver designed to work in Home Plug Alliance HPAV2 systems. When enabled, the operation can be set to Full, 90% or 80% power. The Le87501 delivers superior performance and can drive a line impedance of $100\ \Omega$ down to $12\ \Omega$ through a proper transformer. In addition, the Le87501 features a Standby state which forces the driver into a long-term sleep mode.

Simplified Block Diagram



Features & Benefits

- Small 16-pin, 4x4 mm QFN Package
- Low Power Operation
- Class AB Operation
- Enable/Disable Control
- Capable of Driving Line Impedance Between $12\ \Omega$ to $100\ \Omega$
- Operation to 86 MHz
- RoHS compliant