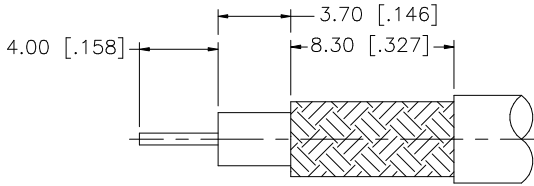
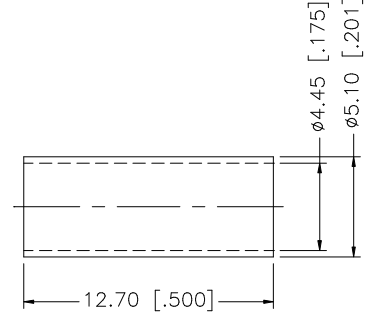
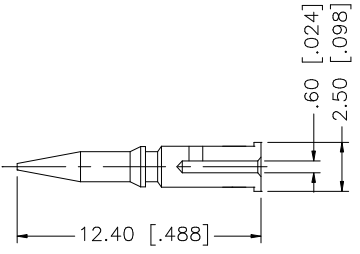
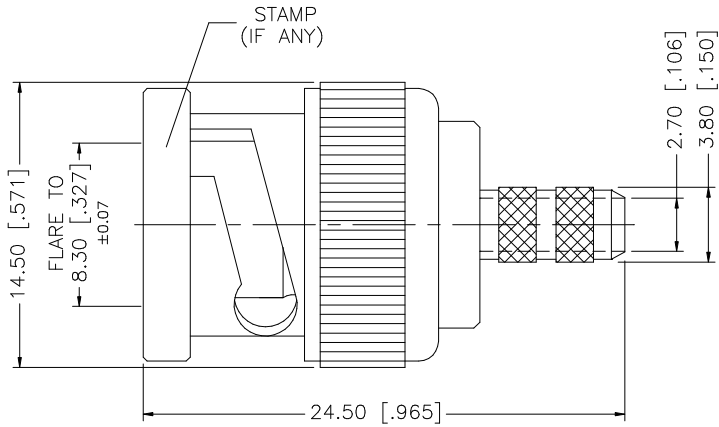


REV.	DATE	DESCRIPTION
A	11/21/03	UPDATE DRAWING FORMAT



RECOMMENDED CABLE STRIPPING DIM'S



- CRIMP NOTES:
1. CRIMPED FERRULE
HEX CRIMP SIZE .178"
 2. CRIMPED CONTACT PIN
HEX CRIMP SIZE .068"

Amphenol Connex

QTY	FINISH	MATERIAL	DESCRIPTION
1	NICKEL	BRASS	BODY
1	NATURAL	DELTRIN	INSULATOR
1	GOLD	BRASS	CONTACT PIN
1	NICKEL	COPPER	FERRULE

UNLESS OTHERWISE SPECIFIED DIMENSIONS ARE IN MILLIMETERS. DIMENSIONS IN [] ARE IN INCHES AND FOR CUSTOMER REFERENCE ONLY.

UNLESS OTHERWISE SPECIFIED TOLERANCES FOR MILLIMETERS ARE:
0.5 - 8mm ± 0.20mm
8 - 30mm ± 0.40mm
30 - 120mm ± 0.50mm

UNLESS OTHERWISE SPECIFIED TOLERANCES FOR INCHES ARE:
.020 - .315 = ± 0.007"
.315 - 1.180 = ± 0.015"
1.180 - 4.724 = ± 0.020"

DO NOT SCALE DRAWING

APPROVALS	DATE
DRAWN G.R.S.	11/21/03
CHECKED	
ISSUED	
SHEET 1 OF 1	
CAD FILE C:/112/112521.DWG	

PART DESCRIPTION
BNC CRIMP PLUG (FOR BELDEN 1865A, 8218, B1417B, B1164B, RG-B809)
PART NO.
112521
DWG. NO.
112521.DWG
REV.
A
SIZE
A
SCALE
NA