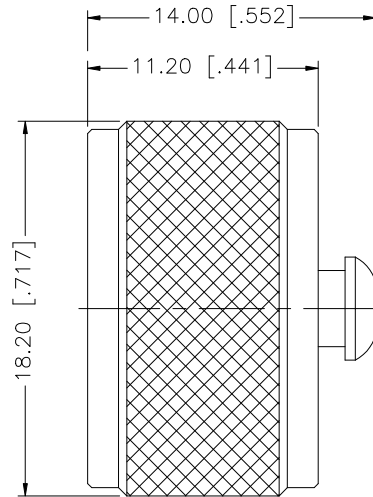


REV.	DATE	ECR NO.	DESCRIPTION
NC	06/07/99	-	INITIAL RELEASE
A	06/29/08	-	UPDATE DRAWING FORMAT



8				
7				
6				
5				
4				
3	RIVET	BRASS	NICKEL	1
2	GASKET	SILICONE	RED	1
1	SHELL	BRASS	NICKEL	1
	DESCRIPTION	MATERIAL	FINISH	QTY

UNLESS OTHERWISE SPECIFIED DIMENSIONS ARE IN MILLIMETERS. DIMENSIONS IN [] ARE IN INCHES AND FOR CUSTOMER REFERENCE ONLY.

UNLESS OTHERWISE SPECIFIED TOLERANCES FOR MILLIMETERS ARE:
0.5 - 8mm ± 0.20mm
8 - 30mm ± 0.40mm
30 - 120mm ± 0.50mm

UNLESS OTHERWISE SPECIFIED TOLERANCES FOR INCHES ARE:
.020 - .315 = ± 0.007"
.315 - 1.180 = ± 0.015"
1.180 - 4.724 = ± 0.020"

DO NOT SCALE DRAWING

APPROVALS		DATE
DRAWN	GRS	06/29/08
CHECKED		
ISSUED		
SHEET	1 OF 1	
CAD FILE	C:/202/202102-10.DWG	

Amphenol Connex

PART DESCRIPTION

N MALE CAP - NO CHAIN

PART NO.

202102-10

DWG. NO.

202102-10.DWG

REV. A

SIZE A

SCALE NA