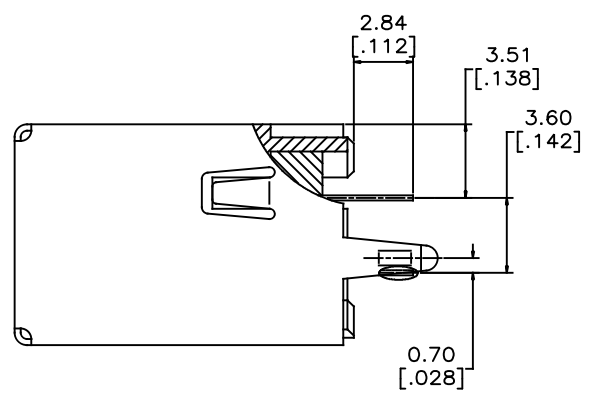
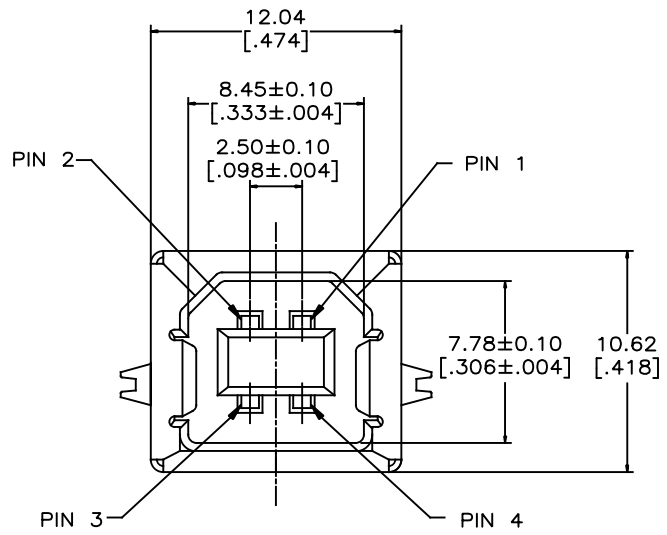
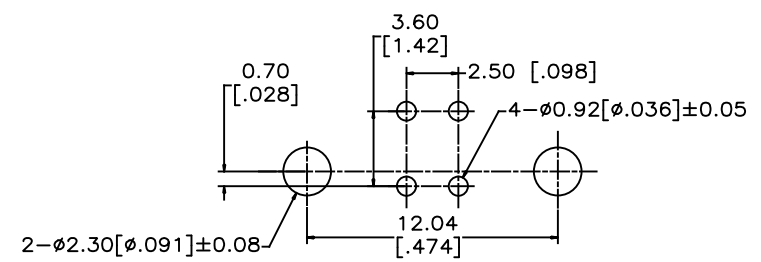


REVISIONS			
REV	DESCRIPTION, ECN, EAR NO.	DATE	APP'D
A	PROPOSAL DRAWING (EAR 15208)	NOV02/22	E.Q.



**NOTES:**

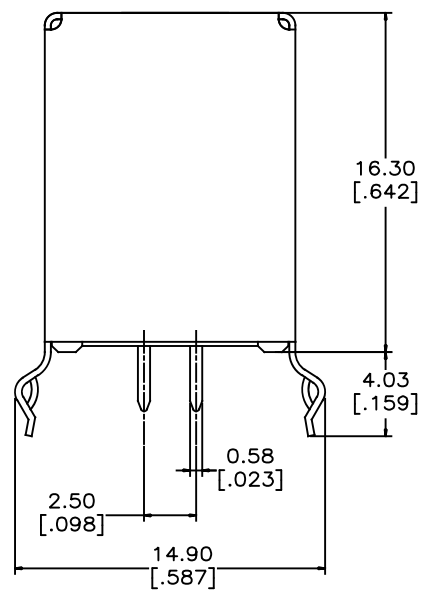
- HOUSING: HIGH TEMPERATURE THERMOPLASTIC  
FLAMMABILITY UL94V-0  
COLOUR: SEE PART NUMBER
- CONTACTS: PHOSPHOR BRONZE  
CONTACT PLATING: SEE AMPHENOL PART NUMBER SYSTEM FOR PLATING OPTIONS  
50µin[1.27 MICRONS] MIN. NICKEL UNDERPLATE
- SHELL: PHOSPHOR BRONZE  
PLATING: NICKEL OVER COPPER UNDERPLATE.



**RECOMMENDED PC BOARD LAYOUT**  
(COMPONENT SIDE OF BOARD)  
(GENERAL TOLERANCE ±0.05 FOR THIS VIEW)

AMPHENOL PART NO.: U E 2 7 - B E 5 4 - 1 0 H

- SERIES \_\_\_\_\_  
UE27=RECEPTACLE
- TYPE \_\_\_\_\_  
B=SERIES B
- STYLE \_\_\_\_\_  
E=STRAIGHT PCB (TOP ENTRY)
- CONTACT PLATING \_\_\_\_\_  
5=30µin[0.76 MICRONS] GOLD OVER NICKEL ON CONTACT MATING AREA.  
100µin[2.54 MICRONS] TIN OVER NICKEL ON CONTACT SOLDER AREA.
- MODIFIER \_\_\_\_\_  
H=HIGH TEMP MATERIAL  
(MAX TEMPERATURE RATING 260°C FOR 10s)
- SHIELDING \_\_\_\_\_  
0=NO REAR SHIELD
- COLOUR \_\_\_\_\_  
1=BLACK
- NUMBER OF CONTACTS \_\_\_\_\_  
4=4 CONTACTS



UNLESS SPECIFIED OTHERWISE	DRAWN	A.NONG	NOV01/22
PRIMARY UNITS MILLIMETERS	CHECKED	F.WANG	NOV02/22
SECONDARY INCHES	M.E. APP'D		
REFERENCE IN PARENTHESES	Q.A. APP'D		
GENERAL TOLERANCES	DWG APP'D	E.QU	NOV02/22
1 DECIMAL PLACE	ENG. REL. NO.	EAR 15208	
2 DECIMAL PLACES ±0.30	REF.		
3 DECIMAL PLACES	THIRD ANGLE PROJECTION		
ANGULAR DEGREES	DO NOT SCALE DRAWING		

Amphenol Canada Corp. Commercial Products	
UNIVERSAL SERIAL BUS RECEPTACLE, SERIES B, STRAIGHT PCB TAIL, VERTICAL MOUNT-RoHS COMPLIANT	
DWG NO.	P-UE27-BE54-10H
REV	A
CODE ID NO. 03554	DWG SIZE X SCALE XX:1 SHEET 1 OF 1