



DC-DC Power over Ethernet Splitter Fully Compliant IEEE802.3af PD Power Supply



Features

- Fully Compliant IEEE802.3af DC Power Supply
- DC Good LED
- Non-Vented Case
- Gigabit Compatible
- Full Protection OTP, OCP, OVP
- 1 Year Warranty

Applications

- IP Telephones
- Wireless Network Access Points
- Blue Tooth Access Points
- Security Cameras
- IP Print Servers

Safety Approvals

- CE

Mechanical Characteristics

- Length: 100mm (3.94in)
- Width: 56mm (2.2in)
- Height: 28mm (1.1in)
- Weight: 0.2Kg (7.05oz)

Output Specifications

Model	DC Output Voltage	Output Current
POE14-033-R	3.3V	2.5A
POE14-050-R	5V	2.5A
POE14-120-R	12V	1.17A

Reference files: [POE14_user_manual.pdf](#)

INPUT:**Input Voltage Range**

36 to 56V DC; Receives power from either data or spare pairs

Input Current

0.6A (DC) 36 V DC at max load

Inrush Current

0.4A maX

OUTPUT:**Regulation**

Line and Load $\pm 5\%$

Ripple

12V model 120mVp-p

5V & 3.3V models 75mVp-p

Efficiency²

72% (typical) at max load and 48V DC

Output Power

Output Model	Limit
3.3V	8.25W at 36-57V DC
5V	12.5W at 36-57V DC
12V	12W at 36-55V DC
12V	14W at 55-57V DC

ENVIRONMENTAL:**Temperature**

Operation	0 to +40°C
Non-Operation	-25 to +65°C
Humidity	5 to 90%

Immunity

ESD: EN61000-4-2 Level 3

RS: EN61000-4-3 Level 2

EFT: EN61000-4-4 Level 2

Surge: EN61000-4-5 Level 3

CS: EN61000-4-6 Level 2

Voltage Dips: EN61000-4-11 Harmonic:
EN61000-3-2

Note: CS, Surge, Harmonics and Dips tested with POE20U

EMC

Complies with FCC Class B

Complies with EN55032 Class B

Dielectric withstand (HI-POT) Test

1500V AC for 1 minute, 10mA

Insulation Resistance

Primary to secondary: >10M Ohm 500V DC

FEATURES:**Short Circuit Protection**

Output can be shorted permanently without damage

Over Voltage Protection

By Zener clamping

Indicators

Green LED – Output Good

Input and Output Data Connector

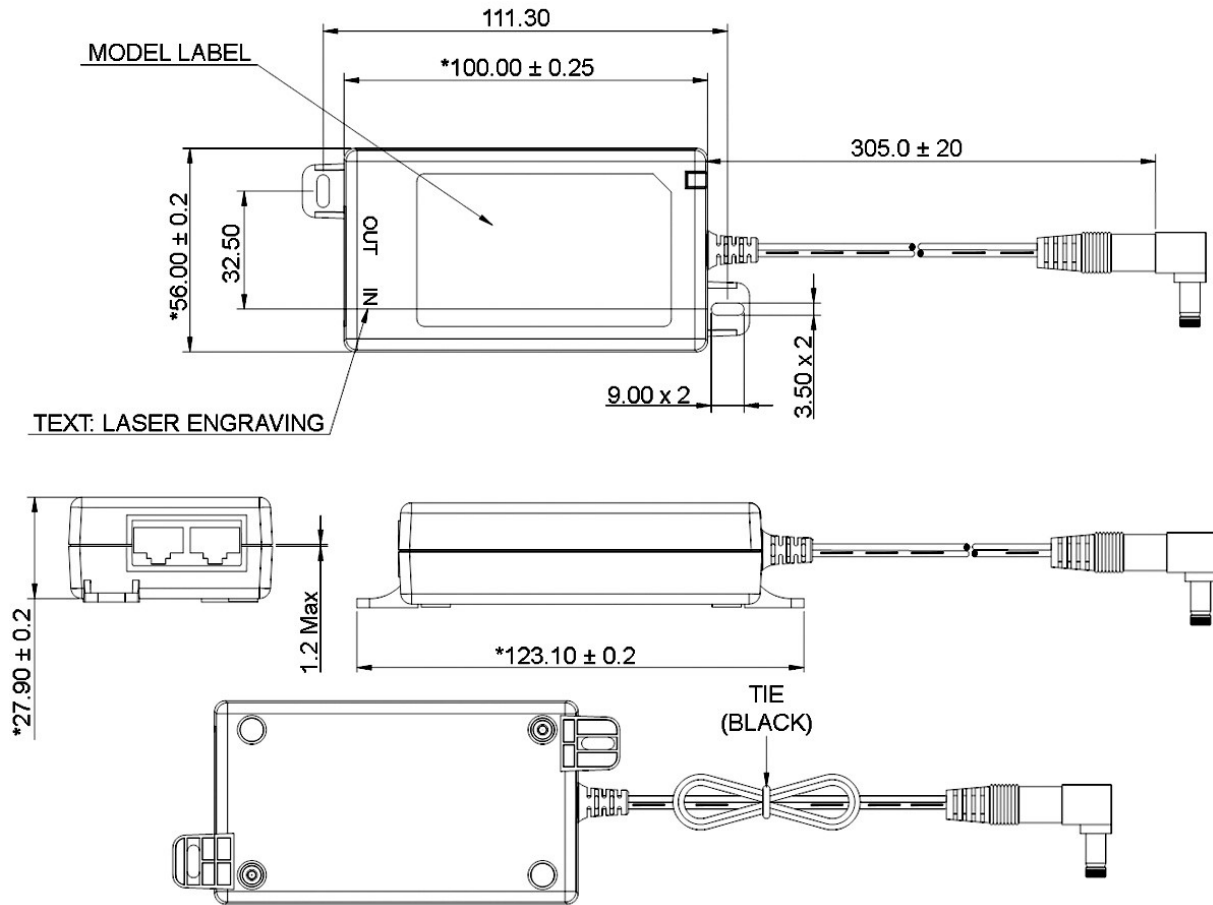
RJ45

Output Connector

Center Positive Barrel 9mm x 2.5mm x 5.5mm. Tip is user changeable for other sizes. Note: The + molded on replaceable tip must line up with the word “tip” on DC cord to ensure that the center pin DC jack is +.

Notes:

1. The characteristics defined are at ambient temperature of 25°C unless otherwise specified
2. Efficiency is measured after 30 minutes burn-in



Supplier's Declaration of Conformity
47 CFR § 2.1077 Compliance Information

Phihong USA Corporation
47800 Fremont Boulevard
Fremont, CA 94538
Telephone: (510) 445-0100
www.phihong.com

NOTE: This model has/The models in this products series have been tested and found to comply with the limits for a Class B digital device, pursuant to part 15 of the FCC Rules. These limits are designed to provide reasonable protection against harmful interference in a residential installation. This equipment generates, uses and can radiate radio frequency energy and, if not installed and used in accordance with the instructions, may cause harmful interference to radio communications. However, there is no guarantee that interference will not occur in a particular installation. If this equipment does cause harmful interference to radio or television reception, which can be determined by turning the equipment off and on, the user is encouraged to try to correct the interference by one or more of the following measures:

- Reorient or relocate the receiving antenna.
- Increase the separation between the equipment and receiver.
- Connect the equipment into an outlet on a circuit different from that to which the receiver is connected.
- Consult the dealer or an experienced radio/TV technician for help.

Changes or modifications to equipment not expressly approved by PHIHONG could void the user's authority to operate the equipment.