

6

5

4

3

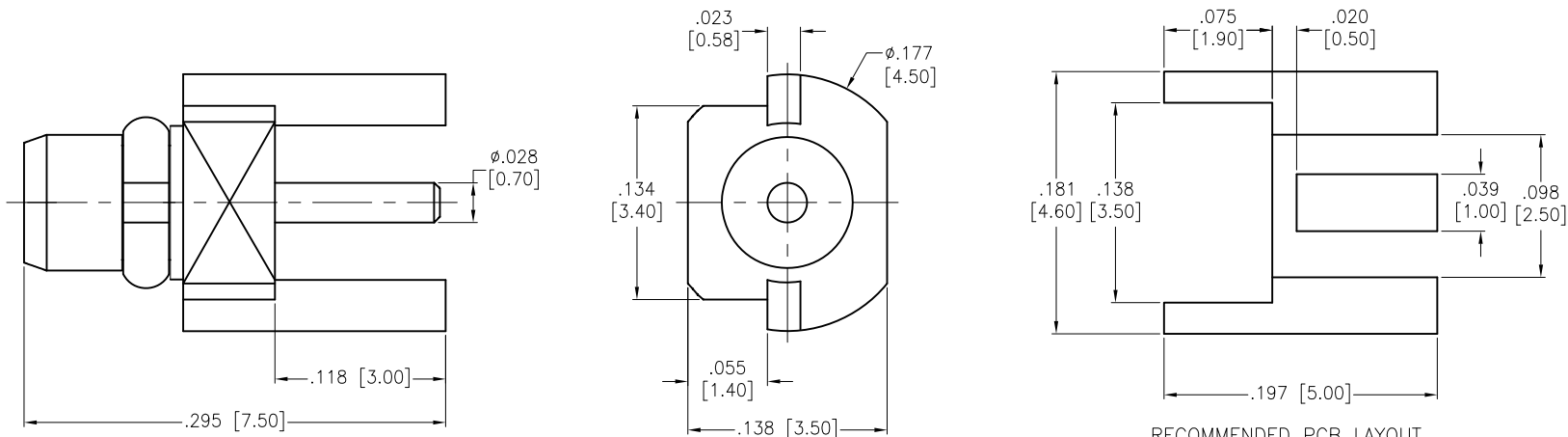
2

1

APPROVED: \_\_\_\_\_

DATE: \_\_\_\_\_ TITLE: \_\_\_\_\_

| Rev | AWO # | Description | Date    | Appr |
|-----|-------|-------------|---------|------|
| -   |       | RELEASED    | 7/20/16 |      |



RECOMMENDED PCB LAYOUT

|             |          |        |
|-------------|----------|--------|
| RING        | BE CU    | GOLD   |
| CONTACT PIN | BRASS    | GOLD   |
| INSULATOR   | PTFE     | WHITE  |
| BODY        | BRASS    | GOLD   |
| DESCRIPTION | MATERIAL | FINISH |

**SPECIFICATIONS:**

Electrical:  
 Nominal Impedance: 50 ohms  
 Frequency range: 0-6 GHz  
 Working Voltage: 170 VOLTS Max  
 Proof Voltage: 500 VOLTS  
 Temperature Rating:  
 Operating temperature: -55°C to +155°C  
 Environmental:  
 Lead free, RoHS compliant.



|   |    |   |                    |
|---|----|---|--------------------|
| UNLESS OTHERWISE SPECIFIED<br>ALL DIMENSIONS ARE INCHES [MM]<br>TOLERANCES: EXCEPT AS NOTED |    | <b>ADAM TECH</b><br>909 Rahway Avenue, Union, NJ 07083<br>Phone: 908-687-5000 Fax: 908-687-5710 |                    |
| INCHES HOLES<br>.X ± .10 Ø.X ± .10<br>.XX ± .020 Ø.XX ± .015<br>.XXX ± .015 Ø.XXX ± .010    |    |   |                    |
| APPROVALS   |    | TITLE   |                    |
| DRAWN   | AY | RF CONNECTOR, TYPE MMCX STR.  |                    |
| CHECKED   | SY | 50 OHM, PCB MOUNT, PLUG   |                    |
| APPROVED  |    | SIZE  | PART NO.           |
|   |    | X   | RF12-25A-T-00-50-G |
|   |    | REF:  | S00277T            |
|   |    | SCALE:  | NTS                |
|   |    | SHEET   | 1 OF 1             |

6

5

4

3

2

1