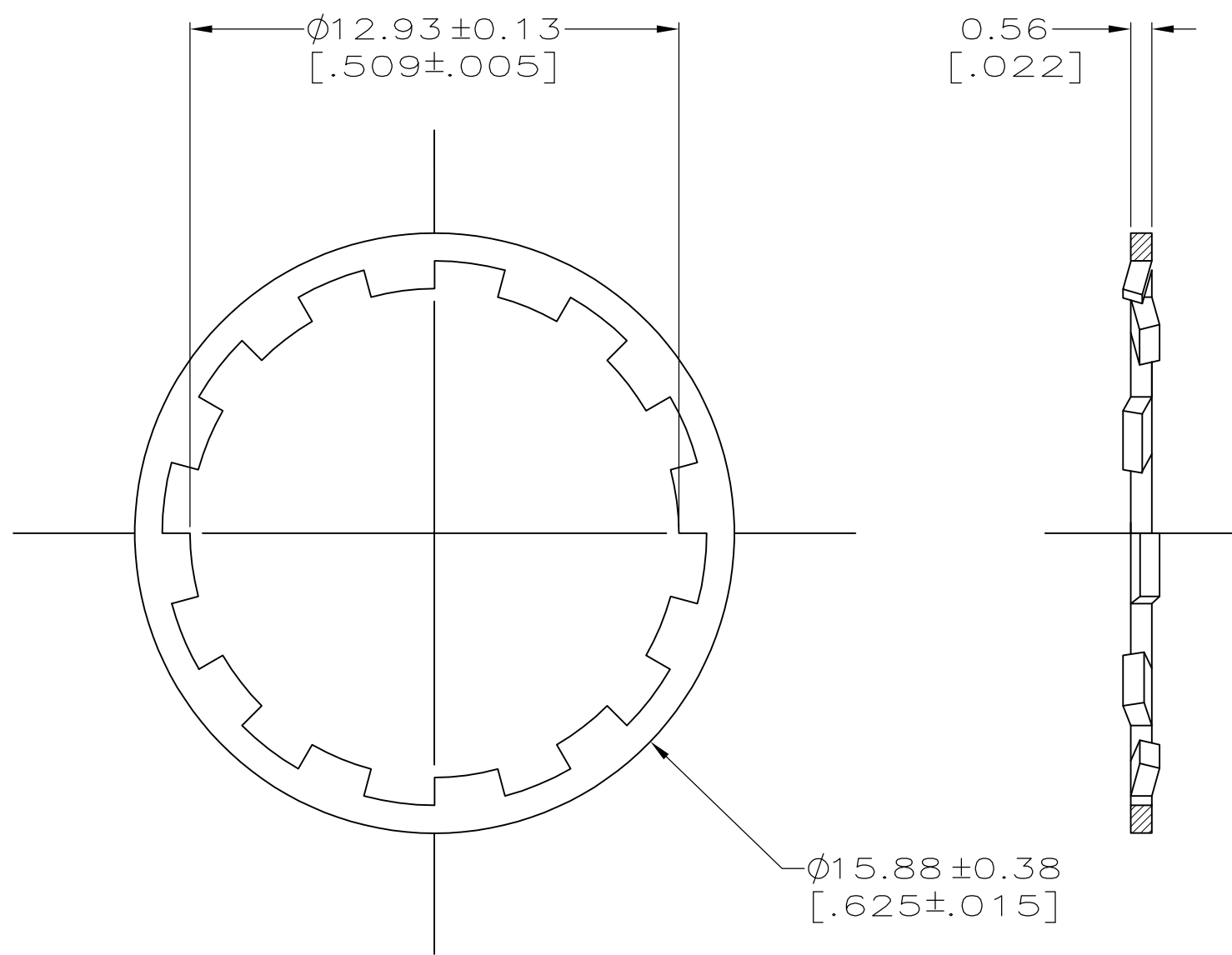



THIS DRAWING IS UNPUBLISHED. RELEASED FOR PUBLICATION
 © COPYRIGHT - By - ALL RIGHTS RESERVED.

LOC	DIST	REVISIONS					
		P	LTR	DESCRIPTION	DATE	DWN	APVD
AJ	16		F2	REVISED PER ECO-13-010921	11JUL2013	G.G	M.Y



- ① PHOSPHOR BRONZE PER QQ-B-750.
- ② SILVER PLATE PER QQ-S-365(NON-ROHS COMPLIANT).
- ③ NICKEL PLATE PER QQ-N-290.
- ④ GOLD PLATE PER MIL-G-45204, 0.51μm[.000020] MINIMUM THICK.
- ⑤ SILVER PLATE PER QQ-S-365(ROHS COMPLIANT)

⑤	9-329632-0
④	1-329632-5
③	1-329632-2
②	329632
FINISH	PART NUMBER

THIS DRAWING IS A CONTROLLED DOCUMENT.		DWN M. O'BRINE 29MAR01	 TE Connectivity			
DIMENSIONS: mm [INCHES]		CHK B. MOYER 30MAR01				
TOLERANCES UNLESS OTHERWISE SPECIFIED:		APVD B. MOYER 30MAR01	NAME			
0 PLC ± - 1 PLC ± - 2 PLC ± - 3 PLC ± 0.20[.008] 4 PLC ± - ANGLES ± -		PRODUCT SPEC	LOCKWASHER			
MATERIAL		APPLICATION SPEC	SIZE	CAGE CODE	DRAWING NO	RESTRICTED TO
① SEE TABLE		WEIGHT [0.009 oz]	A3	00779	C-329632	-
CUSTOMER DRAWING			SCALE 6:1	SHEET 1 OF 1	REV F2	