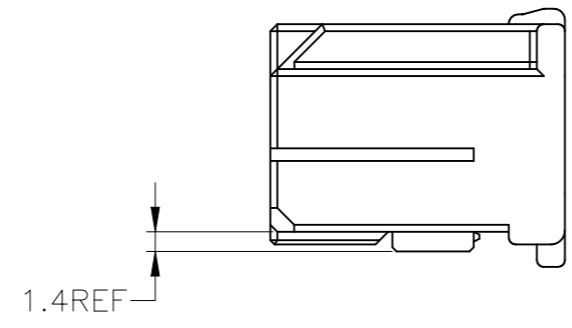
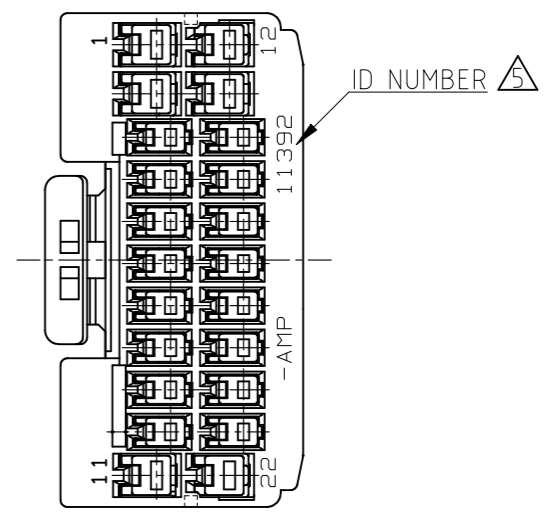
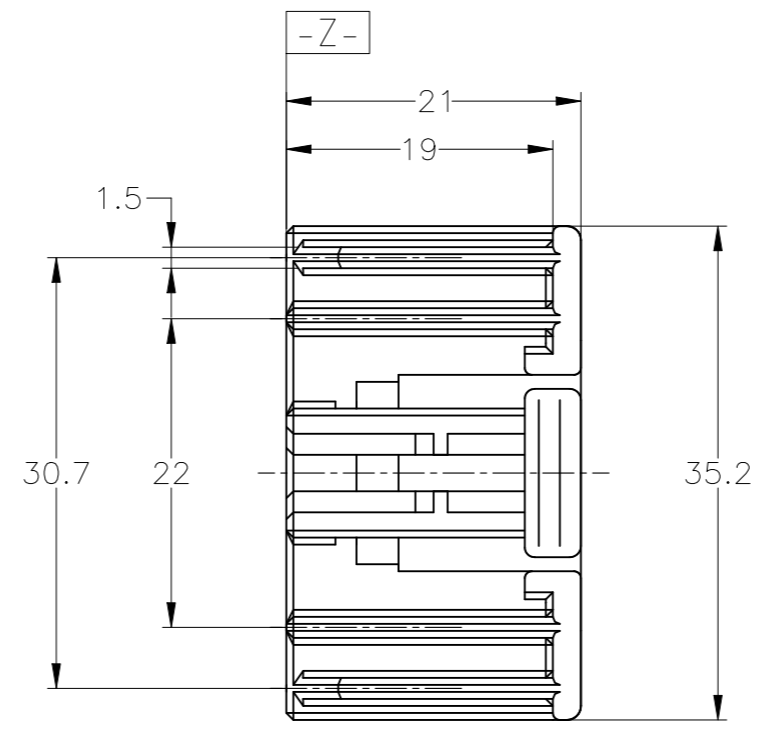
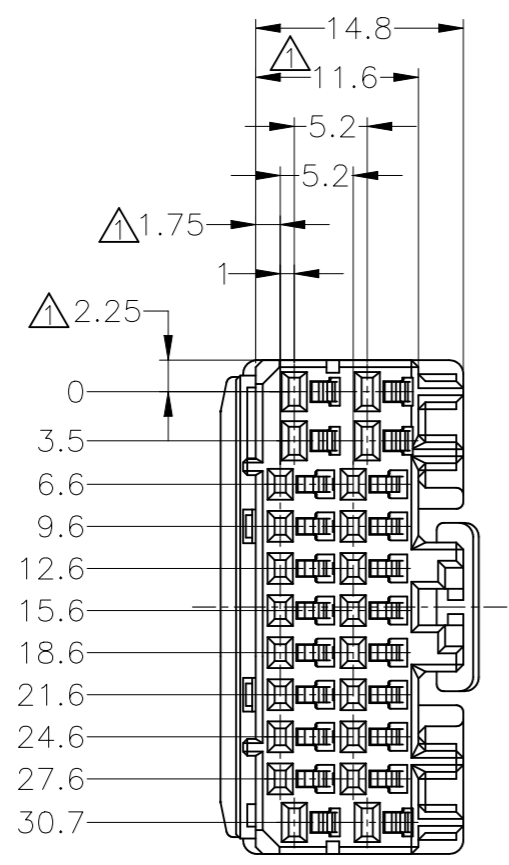


REVISIONS 変更					
P	LTR	DESCRIPTION	DATE	DWN	APVD
	A3	REVISED PER ECR-22-154840	07DEC2022	RK	MT



淡灰 (LIGHT GRAY)	6-917989-6
黄 (YELLOW)	917989-7
灰 (DARK GRAY)	917989-6
青 (BLUE)	917989-5
SEE DRAWING 917989-4	917989-4
黒 (BLACK)	917989-2
白 (WHITE)	917989-1
色 (COLOR)	PART NUMBER

- ⚠ MUST BE KEPT BETWEEN [-Z-] AND 2mm
- 2. THE MATING CAP HOUSING PART NUMBER ; 178764
- 3. APPLIED CONTACT PART NUMBER ; 175265, 175266, 175268, 175269
- 4. APPLICABLE PRODUCT SPEC. NUMBER; 108-5342
- ⚠ RETAINER COLOR; ALL WHITE
- ⚠ [-Z-] 面より 2mmの範囲で測定
- 2. 嵌合相手ハウジング型番 : 178764
- 3. 内装するリセプタクルコンタクト型番 : 175265, 175266, 175268, 175269
- 4. 適用製品規格番号 : 108-5342
- ⚠ リテーナーは全て白色

TOLERANCES UNLESS OTHERWISE SPECIFIED: 一般公差	
10 <sub>±</sub>	: ±0.2
30 <sub>±</sub>	> 10 : ±0.25
100 <sub>±</sub>	> 30 : ±0.3
ANGLE : ±3°	

THIS DRAWING IS A CONTROLLED DOCUMENT.		DWN M.SUGAWARA 25MAY06	TE Connectivity		
DIMENSIONS: 単位: 耗 mm		CHK T.SHINOHARA 25MAY06			
TOLERANCES UNLESS OTHERWISE SPECIFIED: 一般公差		APVD K.BETSUI 25MAY06	NAME 名称		
		PRODUCT SPEC 製品規格 SEE NOTE	040/070 HYBRID I/O CONNECTOR MK-II 22POSITION PLUG HOUSING		
MATERIAL 材料 PBT		FINISH 仕上 -	APPLICATION SPEC 取付適用規格 -	SIZE A3	CAGE CODE 00779
		WEIGHT -	DRAWING NO 番号 G-917989	RESTRICTED TO -	
CUSTOMER DRAWING			SCALE 尺度 2:1	SHEET 1 OF 1	REV A3