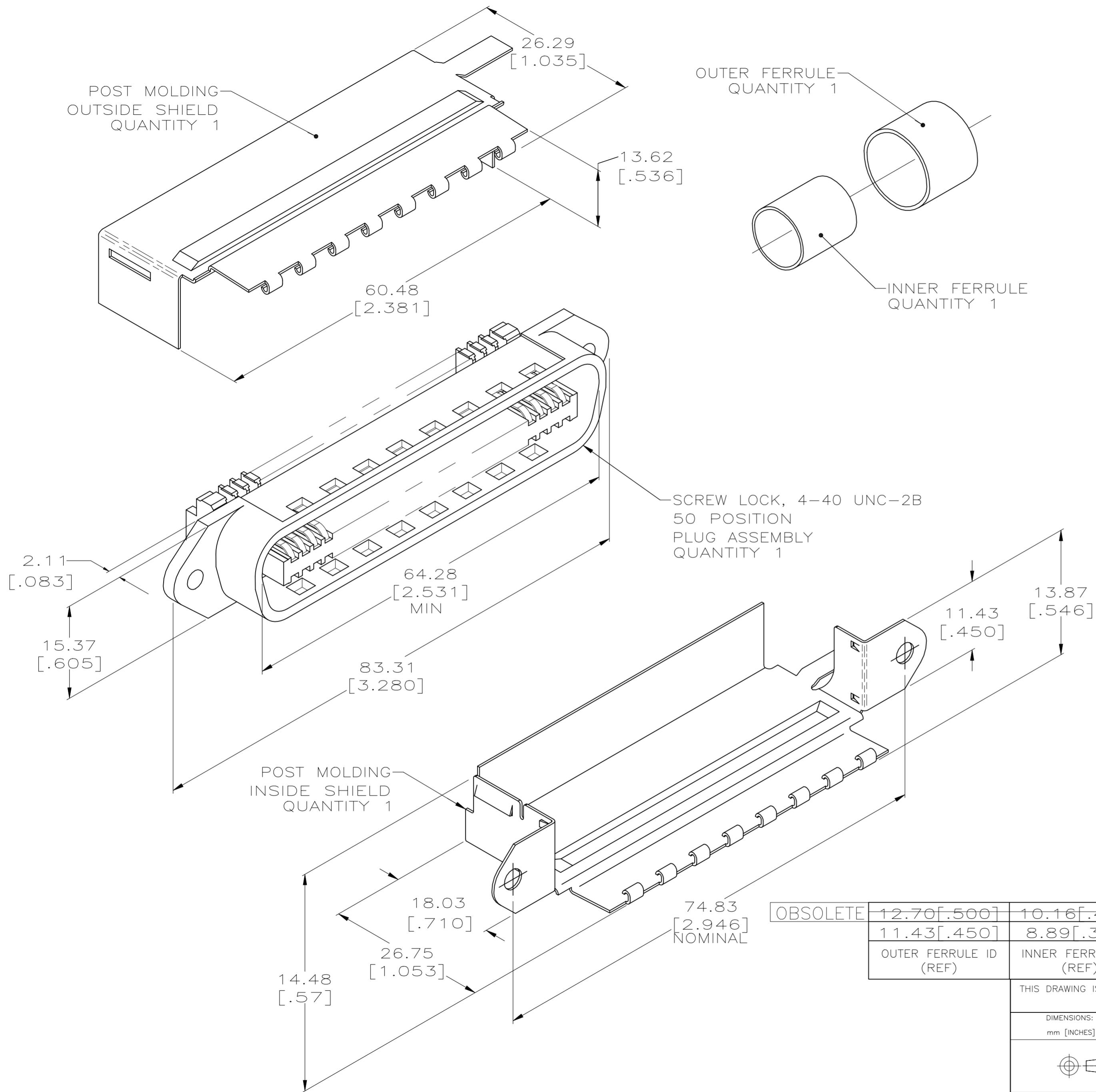


REVISIONS					
P	LTR	DESCRIPTION	DATE	DWN	APVD
F		REVISED PER ECN-22-184302	14NOV2022	AK	SZ



- THIS KIT SHIPPED NOT ASSEMBLED.
- MATERIAL: PLUG HOUSING – POLYPHENYLENE OXIDE, BLACK.
TERMINAL – HIGH STRENGTH COPPER ALLOY PLATED WITH EITHER 0.76µm [.000030] MIN GOLD OR GOLD FLASH OVER PALLADIUM NICKEL PLATE, 0.76µm [.000030] MIN TOTAL ON MATING SURFACE, 1.27µm [.000050] MIN NICKEL UNDERPLATE OVER ENTIRE TERMINAL.
SHIELDS – BRIGHT NICKEL PLATED CARBON STEEL.
FERRULES – BRASS.
- WIRE SIZE: 24 OR 26 AWG SOLID OR 24 AWG 7 STRANDS COPPER CONDUCTORS. MAXIMUM INSULATION DIAMETER OF 1.14[.045] IS ACCEPTABLE FOR MOST APPLICATIONS.
- CENTER-TO-CENTER SPACING OF TERMINALS IS 2.16 [.085] NOMINAL.
- BULK PACKAGED 500 KITS PER CONTAINER.
- DIMENSIONS ARE MAXIMUM UNLESS OTHERWISE SPECIFIED.

OUTER FERRULE ID (REF)	INNER FERRULE ID (REF)	HOUSING COLOR	SLOT	WIRE SIZE	PACKAGED	PART NUMBER
12.70 [.500]	10.16 [.400]	BLACK	B	3	5	1116719-3
11.43 [.450]	8.89 [.350]	BLACK	B	3	5	1116719-1

THIS DRAWING IS A CONTROLLED DOCUMENT.

DWN DL DRUMMOND 10-JUL-00	 TE Connectivity PLUG KIT, 50 POSITION, POST MOLDING, SHIELDED, 90° SCREW LOCK, CHAMP			
CHK DL DRUMMOND 13-JUL-00				
APVD EW BEILES 13-JUL-00				
PRODUCT SPEC				
APPLICATION SPEC	NAME			
WEIGHT 0.000000	SIZE A2	CAGE CODE 00779	DRAWING NO C=1116719	RESTRICTED TO
CUSTOMER DRAWING	SCALE 2:1	SHEET 1 of 1	REV F	