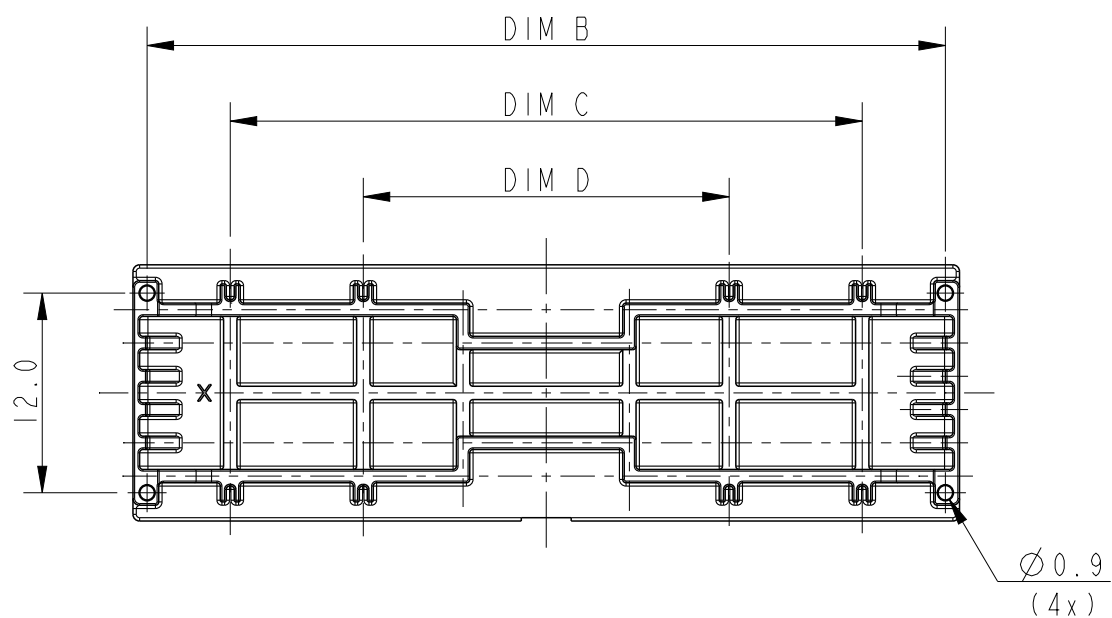
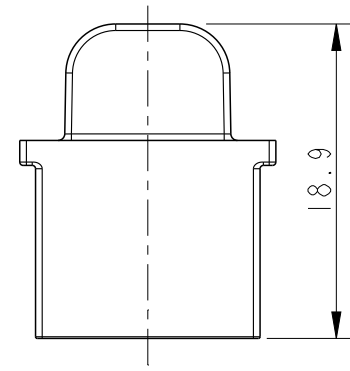
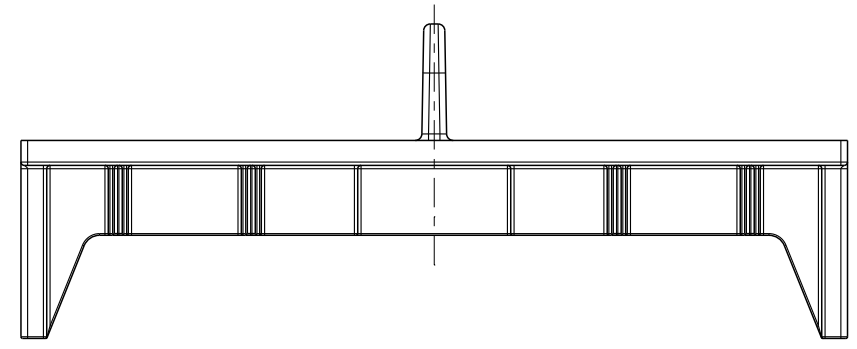
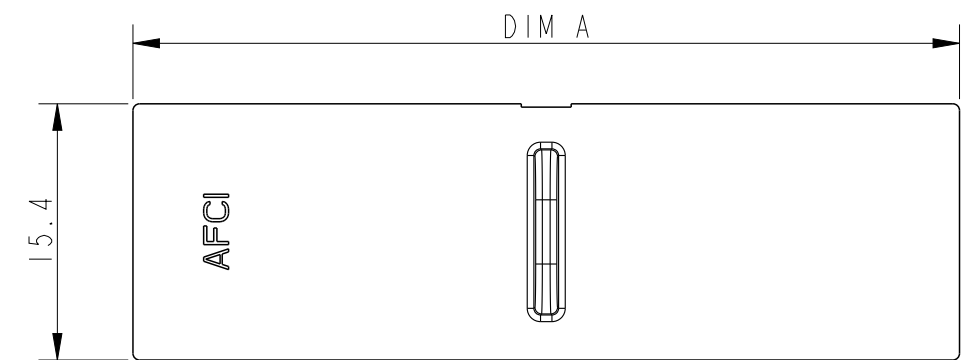
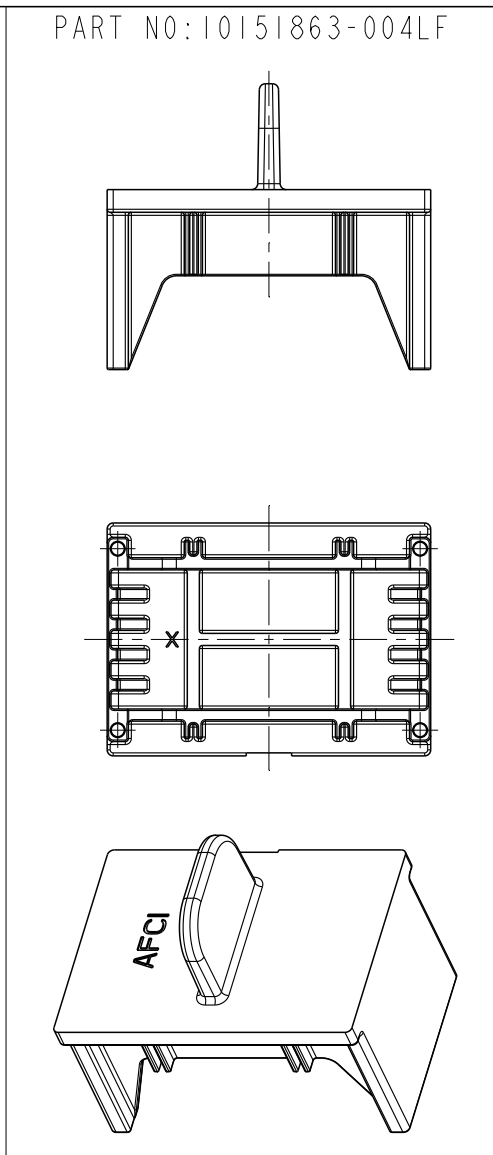
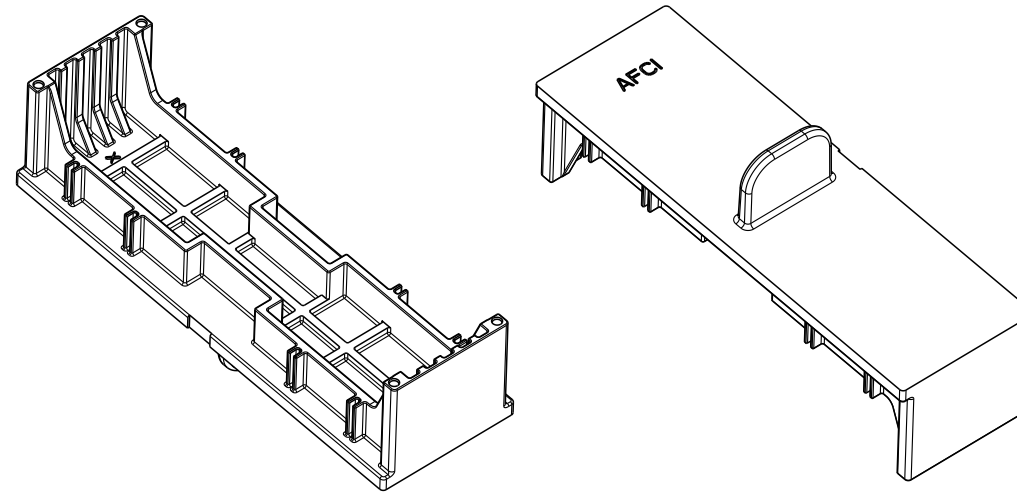


PART NUMBER	DIM A	DIM B	DIM C	DIM D	REMARKS
10151863-001LF	49.7	48.0	38.0	22.0	FOR 25 POS
10151863-002LF	43.7	42.0	32.0	20.0	FOR 22 POS
10151863-003LF	37.7	36.0	26.0	14.0	FOR 19 POS
10151863-004LF	21.4	20.0	10.0	-	FOR 11 POS



NOTE:  
 1. MATERIAL: LCP BLACK  
 2. THIS PRODUCT MEETS EUROPEAN UNION DIRECTIVES AND OTHER COUNTRY REGULATIONS AS DESCRIBED IN GS-47-0004

Amphenol FCI

© 2016 AFCI

spec ref	-	dr	Binesh C	2019/08/12	projection	MM	size	A3	scale	2:1	
tolerance std	ISO 406 ISO 1101	eng	Binesh C	2019/08/14			ecn no	-			
TOLERANCES UNLESS OTHERWISE SPECIFIED		chr	-	appr			Kuriakose, San	2019/08/14	product family	MILLIPACS	rel level
surface	linear	0.X	±.3	<b>Amphenol FCI</b>		TITLE PROTECTIVE COVER MPACS 5R VHDR		dwg no 10151863		rev	A
ISO 1302	angular	0°	±1°							cat. no.	10151863-10xLF