

RP115

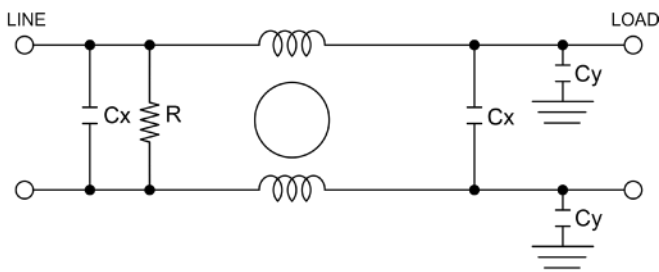
COMPACT SINGLE STAGE POWER LINE FILTERS

FEATURES

- » Rated currents include **3 A, 6A, 10 A, 16A, and 20A**
- » Single Stage Line Filter
- » Available with **QD** tabs or **W** (wireleads) options
- » Compact Design
- » Agency Approved to UL1283/60929, CSA C22.2, EN 60939
- » Y-cap value can be adjusted to fit specifications



ELECTRICAL SCHEMATIC



SPECIFICATIONS

OPERATING FREQUENCY	50/60Hz
USABLE FREQUENCY	DC - 400 Hz
MAX. OPERATING VOLTAGE	250V +10%
AMBIENT TEMPERATURE	-25 TO 40°C
CLIMATIC CATEGORY	25/100/21
TERMINALS (-T)	QD: 0.25" TABS WIRE LEADS
TYP. WEIGHT, LBS (KG)	0.5 (0.2)

TYPICAL LEAKAGE CURRENT

@ 250 VAC 50 Hz	0 - 1.57 mA Max.
@ 120 VAC 60 Hz	0 - 0.90 mA Max.

HIPOT RATINGS

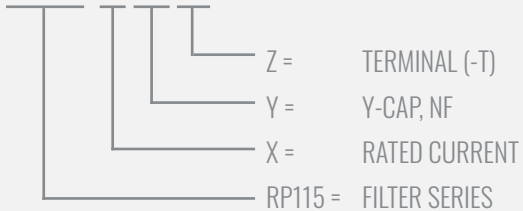
LINE TO GROUND	2700 VDC
----------------	----------

TYPICAL APPLICATIONS

- ✓ Household Appliances
- ✓ Industrial Equipment
- ✓ Medical Devices
- ✓ Communication systems
- ✓ Consumer Electronics
- ✓ Office Automation Devices

HOW TO ORDER

RP115- X - Y - Z



NOTE: USE ANY COMBINATION OF -X (AMPS) WITH ANY -Y RATINGS
E.G. **RP115-10-10-QD** (10AMPS WITH 10 NF YCAP)

For **X, Y** and **Z** options see product specification table.

RP115

COMPACT SINGLE STAGE POWER LINE FILTERS

MODEL NO.	RATED CURRENT, A @ 40° C	Y-CAP, nF	LEAKAGE CURRENT, mA @ 250V AC, 50 Hz / @ 120V AC, 60 Hz		TERMINAL OPTIONS		MAX. DIMENSIONS" (MM)		
					(QD) INPUT/ OUTPUT	(W) INPUT/ OUTPUT	WIDTH	(LENGTH)	HEIGHT
RP115-3-0-QD	3	0	-	-	✓		2.80" (71)	2.76" (70)	1.18" (30)
RP115-3-0-W	3	0	-	-		✓	2.80" (71)	1.97" (50)	1.18" (30)
RP115-3-.47-QD	3	0.47	0.07	0.04	✓		2.80" (71)	2.76" (70)	1.18" (30)
RP115-3-.47-W	3	0.47	0.07	0.04		✓	2.80" (71)	1.97" (50)	1.18" (30)
RP115-3-1-QD	3	1	0.15	0.09	✓		2.80" (71)	2.76" (70)	1.18" (30)
RP115-3-1-W	3	1	0.15	0.09		✓	2.80" (71)	1.97" (50)	1.18" (30)
RP115-3-2.2-QD	3	2.2	0.34	0.19	✓		2.80" (71)	2.76" (70)	1.18" (30)
RP115-3-2.2-W	3	2.2	0.34	0.19		✓	2.80" (71)	1.97" (50)	1.18" (30)
RP115-3-4.7-QD	3	4.7	0.73	0.42	✓		2.80" (71)	2.76" (70)	1.18" (30)
RP115-3-4.7-W	3	4.7	0.73	0.42		✓	2.80" (71)	1.97" (50)	1.18" (30)
RP115-3-10-QD	3	10	1.57	0.90	✓		2.80" (71)	2.76" (70)	1.18" (30)
RP115-3-10-W	3	10	1.57	0.90		✓	2.80" (71)	1.97" (50)	1.18" (30)
RP115-6-0-QD	6	0	-	-	✓		2.80" (71)	2.76" (70)	1.18" (30)
RP115-6-0-W	6	0	-	-		✓	2.80" (71)	1.97" (50)	1.18" (30)
RP115-6-.47-QD	6	0.47	0.07	0.04	✓		2.80" (71)	2.76" (70)	1.18" (30)
RP115-6-.47-W	6	0.47	0.07	0.04		✓	2.80" (71)	1.97" (50)	1.18" (30)
RP115-6-1-QD	6	1	0.15	0.09	✓		2.80" (71)	2.76" (70)	1.18" (30)
RP115-6-1-W	6	1	0.15	0.09		✓	2.80" (71)	1.97" (50)	1.18" (30)
RP115-6-2.2-QD	6	2.2	0.34	0.19	✓		2.80" (71)	2.76" (70)	1.18" (30)
RP115-6-2.2-W	6	2.2	0.34	0.19		✓	2.80" (71)	1.97" (50)	1.18" (30)
RP115-6-4.7-QD	6	4.7	0.73	0.42	✓		2.80" (71)	2.76" (70)	1.18" (30)
RP115-6-4.7-W	6	4.7	0.73	0.42		✓	2.80" (71)	1.97" (50)	1.18" (30)
RP115-6-10-QD	6	10	1.57	0.90	✓		2.80" (71)	2.76" (70)	1.18" (30)
RP115-6-10-W	6	10	1.57	0.90		✓	2.80" (71)	1.97" (50)	1.18" (30)
RP115-10-0-QD	10	0	-	-	✓		3.35" (85)	2.91" (74)	1.61" (41)
RP115-10-0-W	10	0	-	-		✓	*	*	*
RP115-10-.47-QD	10	0.47	0.07	0.04	✓		3.35" (85)	2.91" (74)	1.61" (41)
RP115-10-.47-W	10	0.47	0.07	0.04		✓	*	*	*
RP115-10-1-QD	10	1	0.15	0.09	✓		3.35" (85)	2.91" (74)	1.61" (41)
RP115-10-1-W	10	1	0.15	0.09		✓	*	*	*
RP115-10-2.2-QD	10	2.2	0.34	0.19	✓		3.35" (85)	2.91" (74)	1.61" (41)
RP115-10-2.2-W	10	2.2	0.34	0.19		✓	*	*	*
RP115-10-4.7-QD	10	4.7	0.73	0.42	✓		3.35" (85)	2.91" (74)	1.61" (41)
RP115-10-4.7-W	10	4.7	0.73	0.42		✓	*	*	*

ADDITIONAL MODEL NO. >>

RP115

COMPACT SINGLE STAGE POWER LINE FILTERS

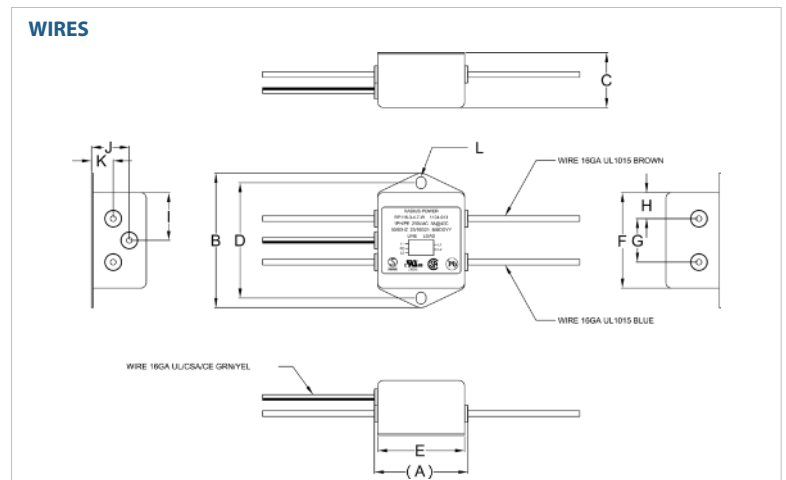
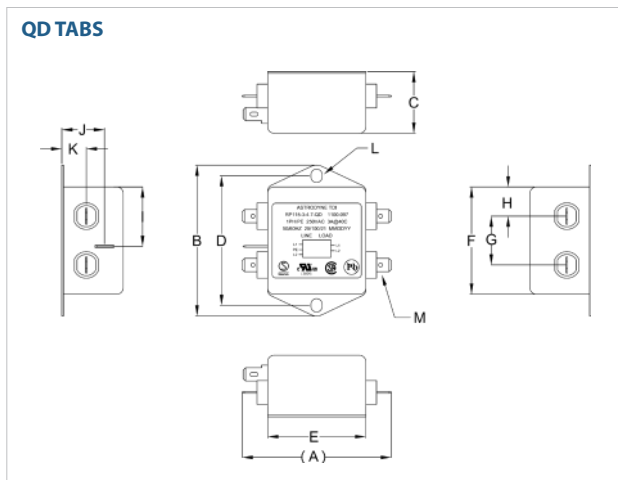
MODEL NO.	RATED CURRENT, A @ 40° C	Y-CAP, nF	LEAKAGE CURRENT, mA @ 250V AC, 50 Hz / @ 120V AC, 60 Hz		TERMINAL OPTIONS		MAX. DIMENSIONS" (MM)		
					(QD) INPUT/ OUTPUT	(W) INPUT/ OUTPUT	WIDTH	(LENGTH)	HEIGHT
RP115-10-10-QD	10	10	1.57	0.90	✓		3.35"(85)	2.91"(74)	1.61"(41)
RP115-10-10-W	10	10	1.57	0.90		✓	*	*	*
RP115-16-0-QD	16	0	-	-	✓		3.35"(85)	2.91"(74)	1.61"(41)
RP115-16-0-W	16	0	-	-		✓	*	*	*
RP115-16-47-QD	16	0.47	0.07	0.04	✓		3.35"(85)	2.91"(74)	1.61"(41)
RP115-16-47-W	16	0.47	0.07	0.04		✓	*	*	*
RP115-16-1-QD	16	1	0.15	0.09	✓		3.35"(85)	2.91"(74)	1.61"(41)
RP115-16-1-W	16	1	0.15	0.09		✓	*	*	*
RP115-16-2.2-QD	16	2.2	0.34	0.19	✓		3.35"(85)	2.91"(74)	1.61"(41)
RP115-16-2.2-W	16	2.2	0.34	0.19		✓	*	*	*
RP115-16-4.7-QD	16	4.7	0.73	0.42	✓		3.35"(85)	2.91"(74)	1.61"(41)
RP115-16-4.7-W	16	4.7	0.73	0.42		✓	*	*	*
RP115-16-10-QD	16	10	1.57	0.90	✓		3.35"(85)	2.91"(74)	1.61"(41)
RP115-16-10-W	16	10	1.57	0.90		✓	*	*	*
RP115-20-0-QD	20	0	-	-	✓		3.35"(85)	2.91"(74)	1.61"(41)
RP115-20-0-W	20	0	-	-		✓	*	*	*
RP115-20-47-QD	20	0.47	0.07	0.04	✓		3.35"(85)	2.91"(74)	1.61"(41)
RP115-20-47-W	20	0.47	0.07	0.04		✓	*	*	*
RP115-20-1-QD	20	1	0.15	0.09	✓		3.35"(85)	2.91"(74)	1.61"(41)
RP115-20-1-W	20	1	0.15	0.09		✓	*	*	*
RP115-20-2.2-QD	20	2.2	0.34	0.19	✓		3.35"(85)	2.91"(74)	1.61"(41)
RP115-20-2.2-W	20	2.2	0.34	0.19		✓	*	*	*
RP115-20-4.7-QD	20	4.7	0.73	0.42	✓		3.35"(85)	2.91"(74)	1.61"(41)
RP115-20-4.7-W	20	4.7	0.73	0.42		✓	*	*	*
RP115-20-10-QD	20	10	1.57	0.90	✓		3.35"(85)	2.91"(74)	1.61"(41)
RP115-20-10-W	20	10	1.57	0.90		✓	*	*	*

*Contact factory for dimensions.

RP115

COMPACT SINGLE STAGE POWER LINE FILTERS

RP115 MECHANICAL OUTLINES” (MM)



SERIES	(A)	B	C	D	E	F	G	H	I	J	K	L	M
QD TABS (3/6A)	2.76" (70)	2.80" (71)	1.18" (30)	2.40" (61)	1.85" (47)	2.03" (51.5)	0.91" (23)	0.54" (13.8)	1.14" (29)	0.79" (20)	0.45" (11.5)	Ø 0.25"x5.3, 2x (Ø 6.3X5.3, 2x)	0.25", 5x (QD, MALE, 6.35, 5x)
QD TABS (10/16/20A)	2.91" (74)	3.35" (85)	1.61" (41)	2.95" (75)	2.01" (51)	2.60" (66)	1.06" (27)	0.75" (19)	1.32" (33.5)	1.10" (28)	0.45" (11.5)	Ø 0.25"x5.3, 2x (Ø 6.3X5.3, 2x)	0.25", 5x (QD, MALE, 6.35, 5x)
WIRES	1.97" (50)	2.80" (71)	1.18" (30)	2.40" (61)	1.85" (47)	2.03" (51.5)	0.91" (23)	0.54" (13.8)	1.00" (25.5)	0.79" (20)	0.45" (11.5)	Ø 0.25"x5.3, 2x (Ø 6.3X5.3, 2x)	N/A

TYPICAL TOLERANCE: +/-0.02" (0.50MM)

RP115

COMPACT SINGLE STAGE POWER LINE FILTERS

TYPICAL INSERTION LOSS, dB (50/50 Ohm)

Amps	Freq (MHz)	0.15	0.5	1.0	10	30
3	CM (dB)	28	36	44	58	64
	DM (dB)	30	48	60	55	55
6	CM (dB)	20	32	28	55	55
	DM (dB)	20	32	40	58	70
10	CM (dB)	34	44	54	50	44
	DM (dB)	30	42	55	70	70
16	CM (dB)	16	36	44	58	64
	DM (dB)	28	40	55	70	70
20	CM (dB)	20	28	34	55	60
	DM (dB)	26	38	52	65	65