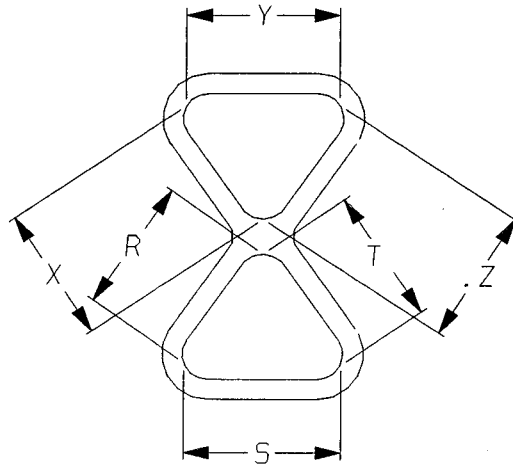
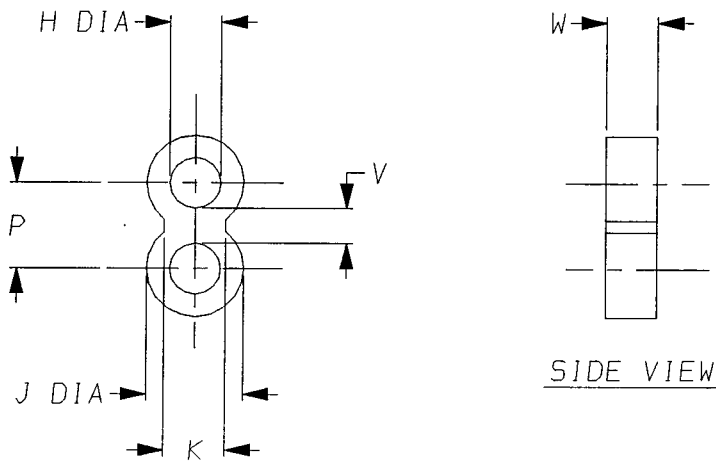


a) Part as supplied

400W242-130



b) Part after unrestricted recovery



DIMENSIONS (in millimetres)

| Part No.    | H    | J    | K    | P    | R  | S  | T  | V     | W  | X  | Y  | Z  |
|-------------|------|------|------|------|----|----|----|-------|----|----|----|----|
|             | MAX  | MAX  | ±1.2 | ±1.7 | ±2 | ±2 | ±2 | ±0.45 | ±1 | ±2 | ±2 | ±2 |
|             | b    | b    | b    | b    | a  | a  | a  | b     | b  | a  | a  | a  |
| 400W242-130 | 10.2 | 19.3 | 12   | 17   | 25 | 29 | 25 | 7.0   | 10 | 25 | 29 | 25 |

Copyright (!)

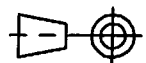
The copyright in this drawing is the property of Tyco Electronics UK Ltd. The drawing is issued on the condition that it is not copied, reproduced or disclosed to a third party, either in whole or in part without the prior written consent of Tyco Electronics UK Ltd.

Drawn A.LILLEY. Checked *[Signature]* Issue 2 Date September 2000 Conforms to 150 Recommendations

Approval  
Design *[Signature]*

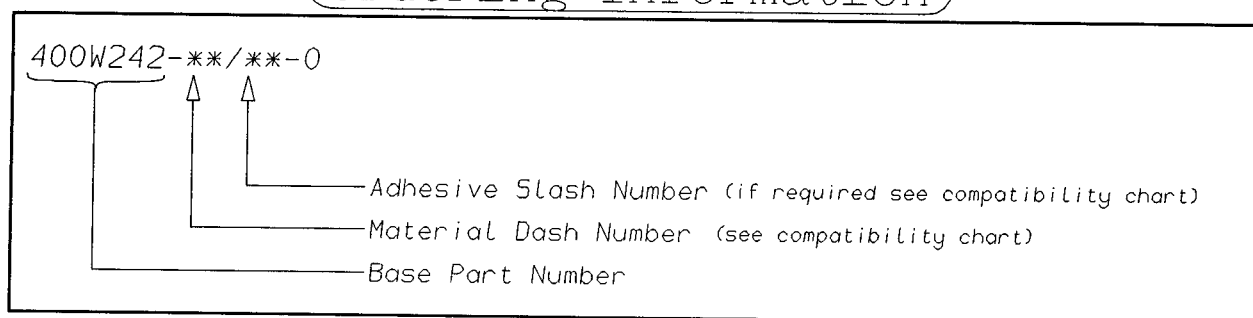
MKTG. *[Signature]* Q.A. *[Signature]*

3rd Angle Projection  
Not to Scale



| Iss. | Date           | E.C.R. No.   | Details of Change           |
|------|----------------|--------------|-----------------------------|
| 2    | September 2000 | CR00-HM-0012 | Compounds -3,-4,-25 removed |

### Ordering Information



### COMPATIBILITY CHART

| MATERIAL DASH NUMBER | MATERIAL DESCRIPTION            | COATING SLASH NUMBER |
|----------------------|---------------------------------|----------------------|
| -130                 | POLYOLEFIN, COMMERCIAL FLEXIBLE | /42, /86             |
|                      |                                 |                      |
|                      |                                 |                      |
|                      |                                 |                      |
|                      |                                 |                      |
|                      |                                 |                      |

AS SUPPLIED DIMENSIONS ARE FOR UNCOATED PARTS,  
WHEN COATING IS ADDED, ENTRY DIAMETERS WILL REDUCE BY 1.5mm MAX.

Raychem Interconnect  
 a Division of Tyco Electronics  
 Swindon, Wiltshire, England. SN3 5JA  
 Telephone: (01793) 528171 Fax: 572516