

10135583 - AA B C D E FF

AA	POSITIO N
64	2X32

B	FOR PLUG, SEE DWG. NO. 10135584	
COMBINATION OF MATED HEIGHT	Plug 1 	Plug 4
Recep 1 		
Recep 2 		
Recep 3 		

E	PACKAGING
2	T&R WITH METAL CAP
Q	T&R WITHOUT CAP

D	POLARIZATION PEG
0	YES

C	PLATING	FF
4	GOLD 0.2um MIN / PURE TIN 2um MIN (LEAD FREE) NICKEL UNDERPLATE OVERALL 1.27umMIN	LF
5	GOLD 0.38um MIN / PURE TIN 2um MIN (LEAD FREE) NICKEL UNDERPLATE OVERALL 1.27umMIN	LF
6	GOLD FLASH (0.065um MIN) OVER PALLADIUM-NICKEL 0.69um MIN / PURE TIN 2um MIN (LEAD FREE) NICKEL UNDERPLATE OVERALL 1.27um MIN	LF

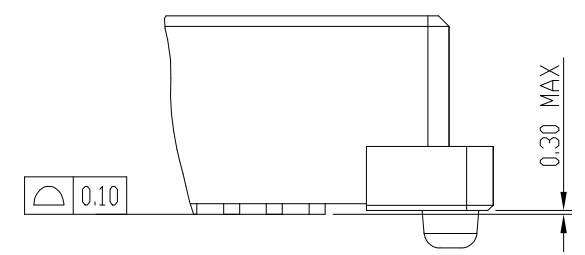
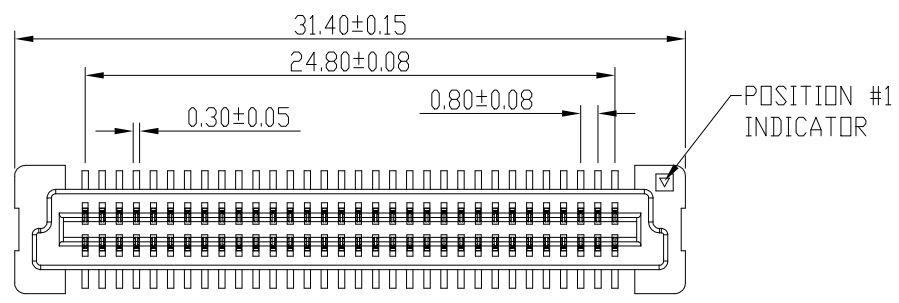
NOTES:

- MATERIAL
HOUSING: HIGH THERMOPLASTIC, UL. 94V-0
TERMINAL: COPPER ALLOY
- PLATING
AS SHOWN IN TABLE.
- SEE GS-12-547 FOR PRODUCT SPEC.
- PRODUCT WILL BE PACKED IN ACCORDANCE TO GLOBAL PROCEDURE GS-14-920.
- THIS PRODUCT MEETS THE EUROPEAN UNION DIRECTIVES AND OTHER COUNTRY REGULATIONS AS DESCRIBED IN GS-22-008.
- THE HOUSING WITH WITHSTAND EXPOSURE UP TO 260~ PEAK TEMPERATURE FOR 30 SECONDS IN A CONVECTION, INFRA-RED OR VAPOR REFLOW OVEN.

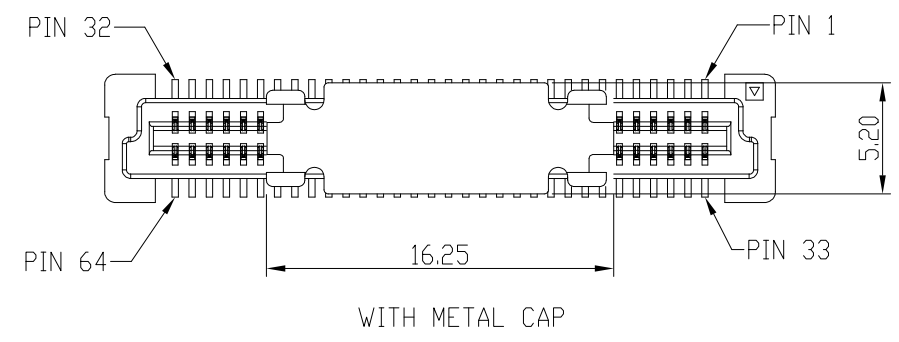
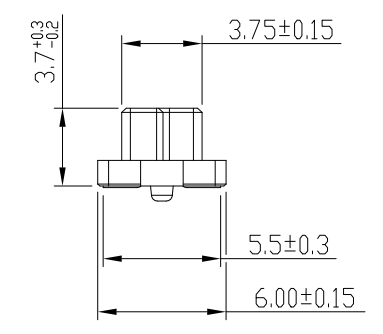
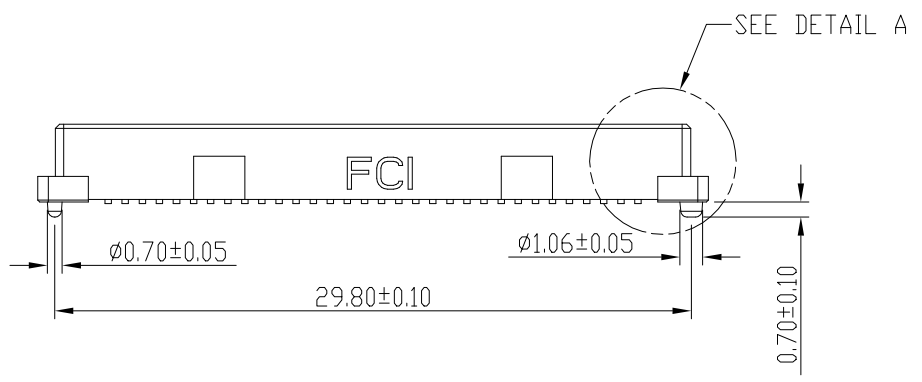
mat'l. code		surface ISO 1302 ✓		tolerance ISO 406 ISO 1101		projection 		product family BERGSTAK 0.8MM	
ltr	ecn no	dr	date	tolerances unless otherwise specified		mm 		title RECEPTACLE ASSY BERGSTAK 0.8MM	
A		Jim	06/05/15	angles	.X±.20			dwg no	
B	ELX-B-25517-1	Bob	12/02/16	linear	.XX±.15			sheet 1 of 5	
C	ELX-N-27438	Bob	07/11/17	X'±2'	.XXX±.10	scale 1:1		size	
D	ELX-N-28877	Bob	12/26/17	dr	Jim Meng	06/05/15		10135583	
E	ELX-N-32150	Bob	12/12/18	chr	Bob Gu	12/12/18		A3	
				chr	LQ Lei	12/12/18		type	
				appd	Tim Yao	12/12/18		Product Customer Drawing	
sheet	revision	A	B	C	D	E			
index	sheet	1~3	1~3	1~5	1~5	1~5			

Amphenol FCI

© 2016 AFCI

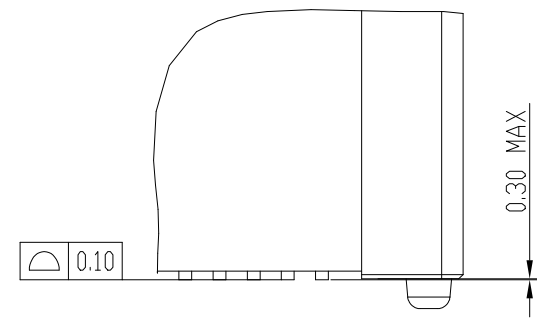
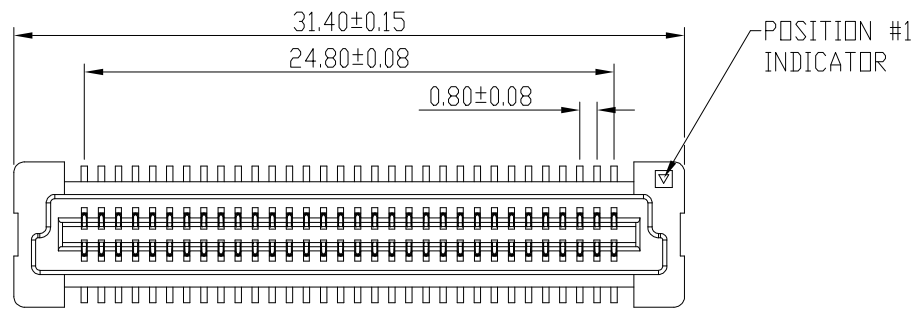


DETAIL A
SCALE 10:1

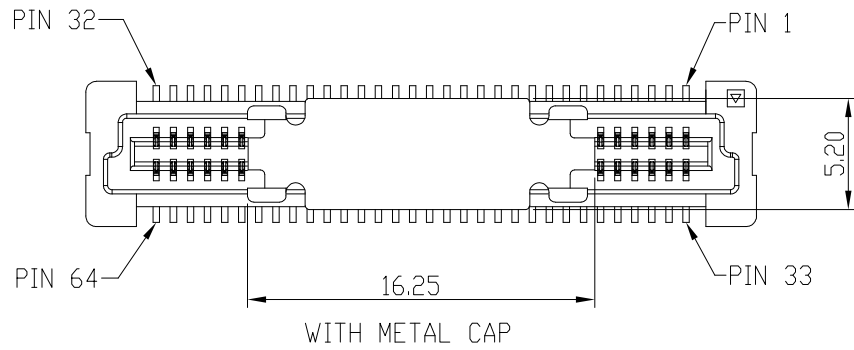
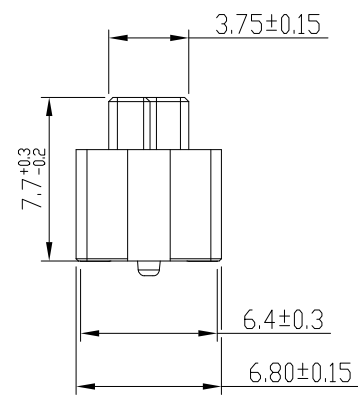
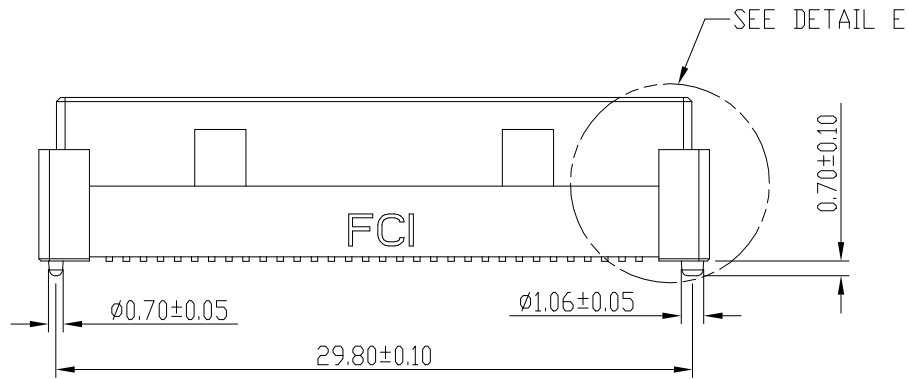


RECEPTACLE 1

mat'l. code		surface ISO 1302 ✓		tolerance ISO 406 ISO 1101		projection mm		product family BERGSTAK 0.8MM			
ltr	ecn no	dr	date	tolerances unless otherwise specified			title		sheet 2 of 5		
E				angles	linear	.X±.20	RECEPTACLE ASSY		size		
				X°±2'		.XX±.15	BERGSTAK 0.8MM		A3		
						.XXX±.10	scale 1:1		dwg no		
				dr	Jim Meng	06/05/15	Amphenol FCI		10135583		
				enr	Bob Gu	12/12/18			sheet 2 of 5		
				chr	LQ Lei	12/12/18			Product Customer Drawing		
				appd	Tim Yao	12/12/18					
sheet index	revision sheet	E	1~5								

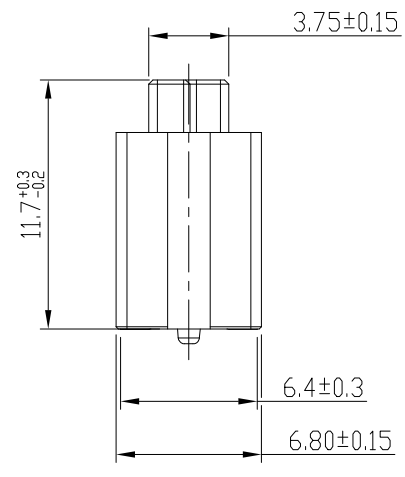
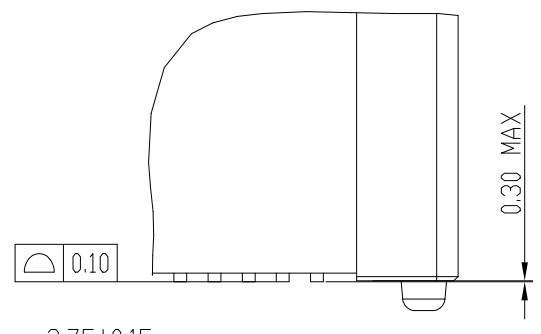
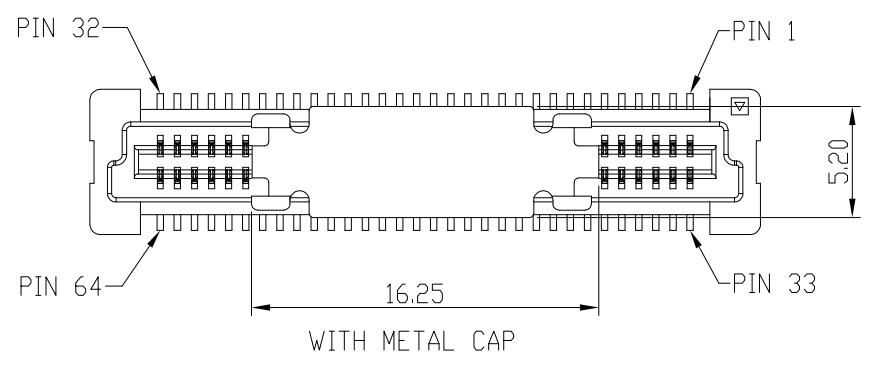
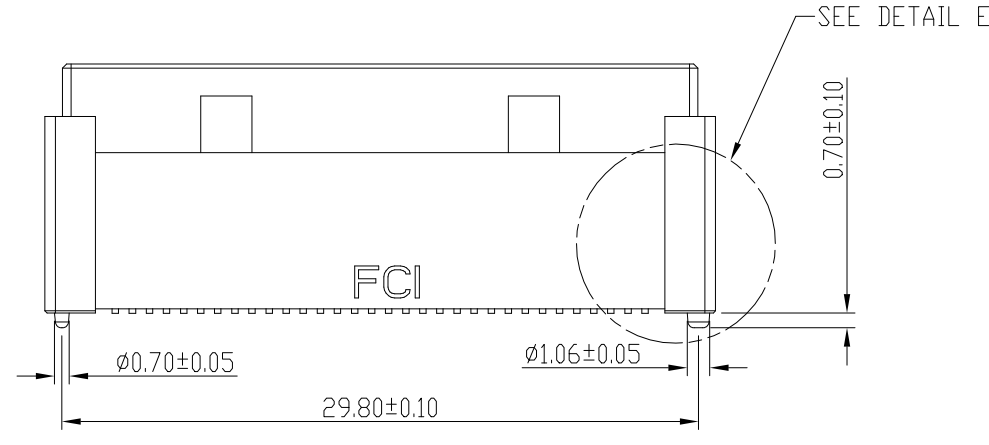
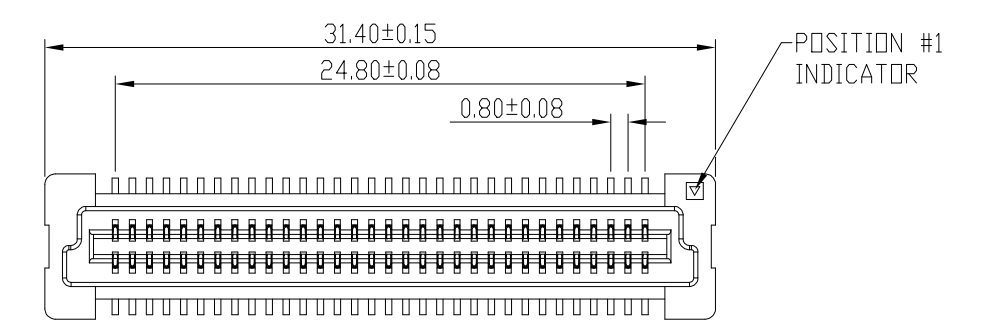


DETAIL E
SCALE 8:1



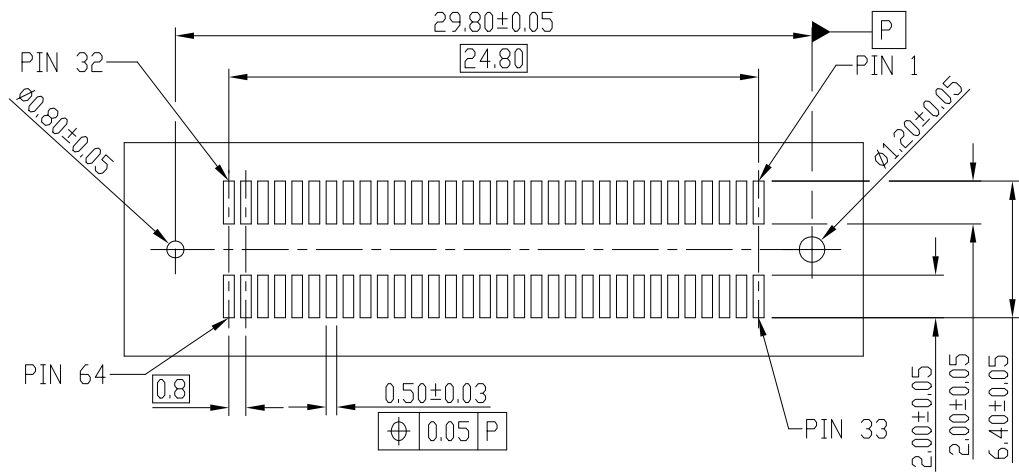
RECEPTACLE 2

mat'l. code		surface ISO 1302 ✓		tolerance ISO 406 ISO 1101		projection mm		product family BERGSTAK 0.8MM		
ltr	ecn no	dr	date	tolerances unless otherwise specified		mm		title RECEPTACLE ASSY BERGSTAK 0.8MM		
E				angles	linear	scale 1:1		dwg no 10135583		
				X±2'				sheet 3 of 5 size A3		
				dr	Jim Meng	06/05/15	Amphenol FCI		type Product Customer Drawing	
				enr	Bob Gu	12/12/18				
				chr	LQ Lei	12/12/18				
				appd	Tim Yao	12/12/18				
sheet index	revision sheet	E	1~5							

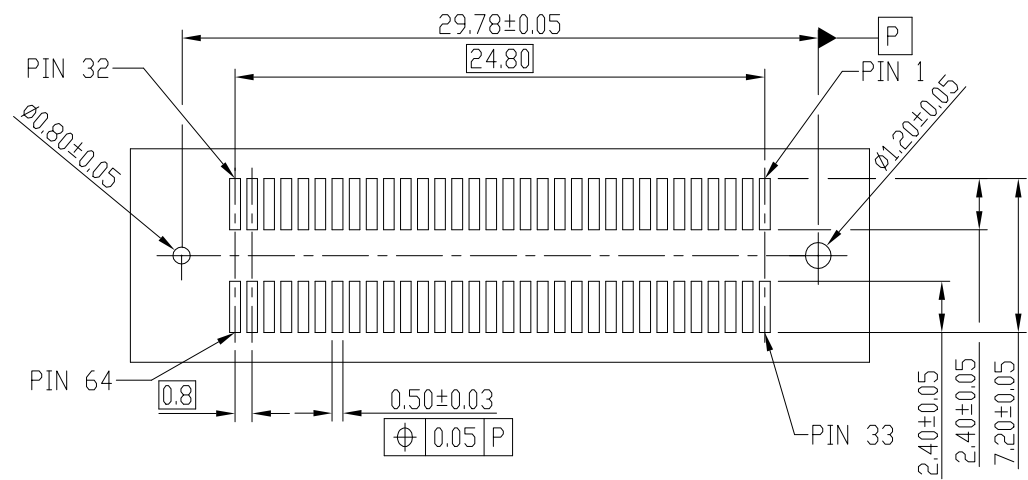


RECEPTACLE 3

mat'l. code		surface ISO 1302 ✓		tolerance ISO 406 ISO 1101		projection mm		product family BERGSTAK 0.8MM			
ltr	ecn no	dr	date	tolerances unless otherwise specified		mm		title RECEPTACLE ASSY BERGSTAK 0.8MM			
E				angles	linear	scale 1:1		dwg no 10135583			
				X±2'				sheet 4 of 5 size A3			
				dr	Jim Meng	06/05/15	Amphenol FCI		type Product Customer Drawing		
				enr	Bob Gu	12/12/18					
				chr	LQ Lei	12/12/18					
				appd	Tim Yao	12/12/18					
sheet index	revision sheet	E	1~5								



RECOMMENDED PCB LAYOUT WITH PEGS FOR RECEP 1



RECOMMENDED PCB LAYOUT WITH PEGS FOR RECEP 2&3

Amphenol FCI

© 2016 AFCI

mat'l. code		surface ISO 1302 ✓		tolerance ISO 406 ISO 1101		projection mm		product family BERGSTAK 0.8MM	
ltr	ecn no	dr	date	tolerances unless otherwise specified		mm		title RECEPTACLE ASSY BERGSTAK 0.8MM	
E				angles	linear	.XX±.20 .XX±.15 .XXX±.10		scale 1:1	
				dr	Jim Meng	06/05/15		dwg no sheet 5 of 5 size	
				enr	Bob Gu	12/12/18		10135583 A3	
				chr	LQ Lei	12/12/18		type Product Customer Drawing	
				appd	Tim Yao	12/12/18			
sheet index	revision sheet	E	1~5						